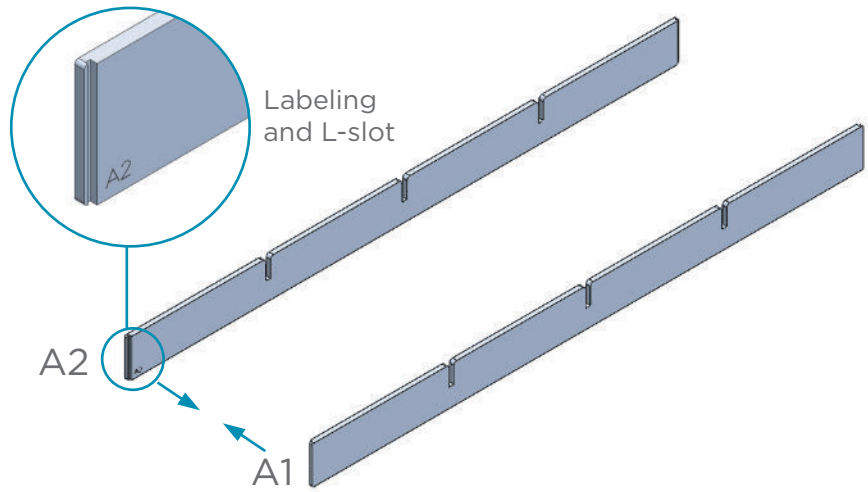


ASSEMBLY GUIDE FOR ECHO SUNBED

Note: Parts are labeled in the order of assembly.

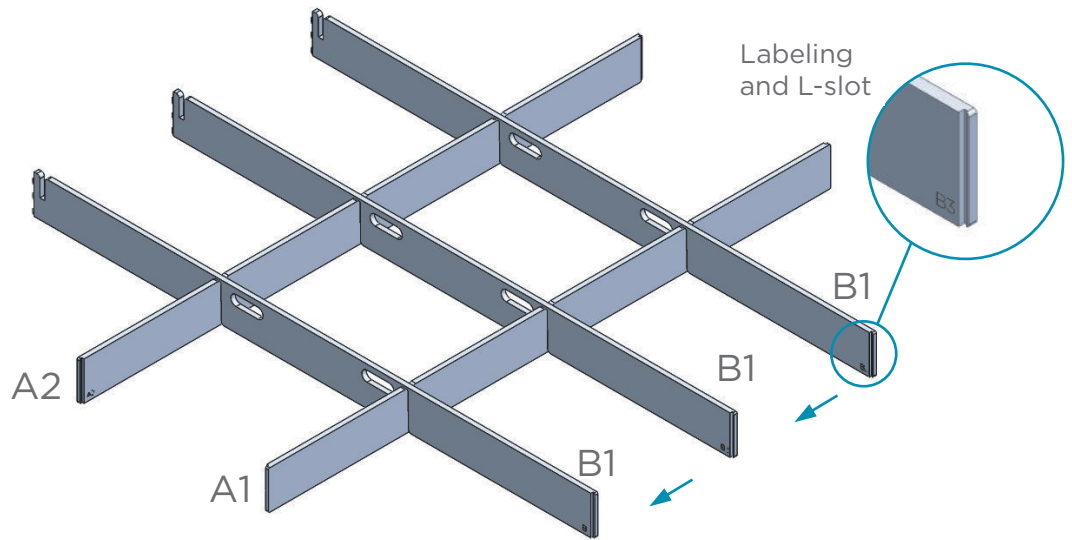
STEP 1:

Position A1 and A2 as shown. Labeling and L-slots facing each other.



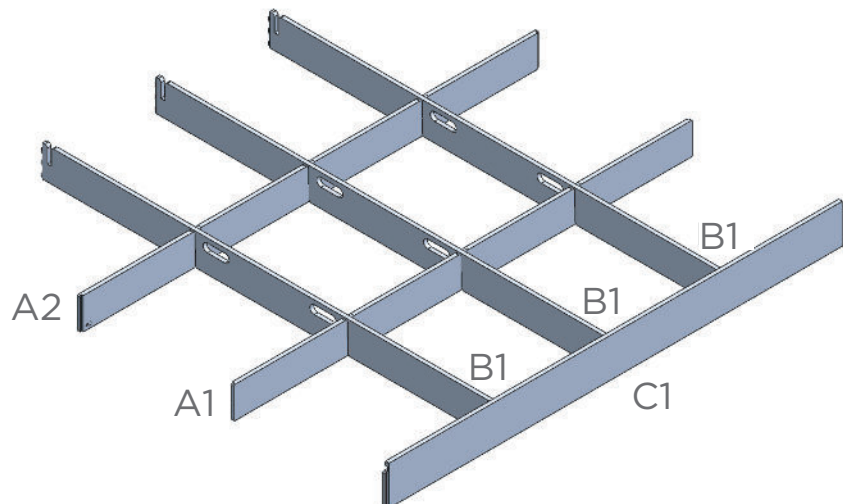
STEP 2:

Insert x3 B1 into A1 and A2. Labeling and L-slots facing in the direction shown.



STEP 3:

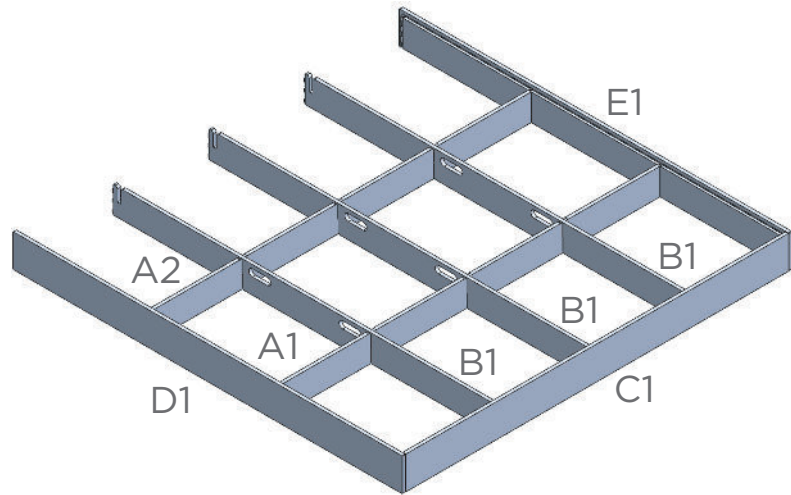
Insert C1 as shown.



Note: Parts are labeled in the order of assembly.

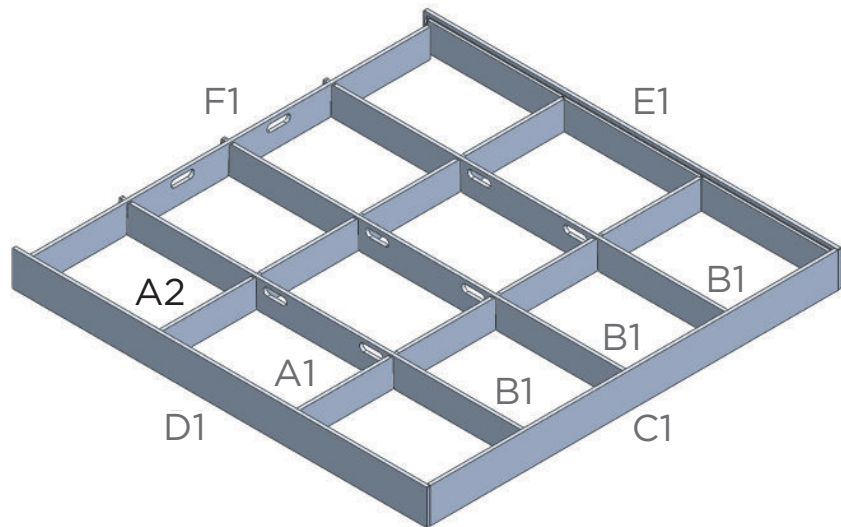
STEP 4:

Insert D1 and E1 as shown.



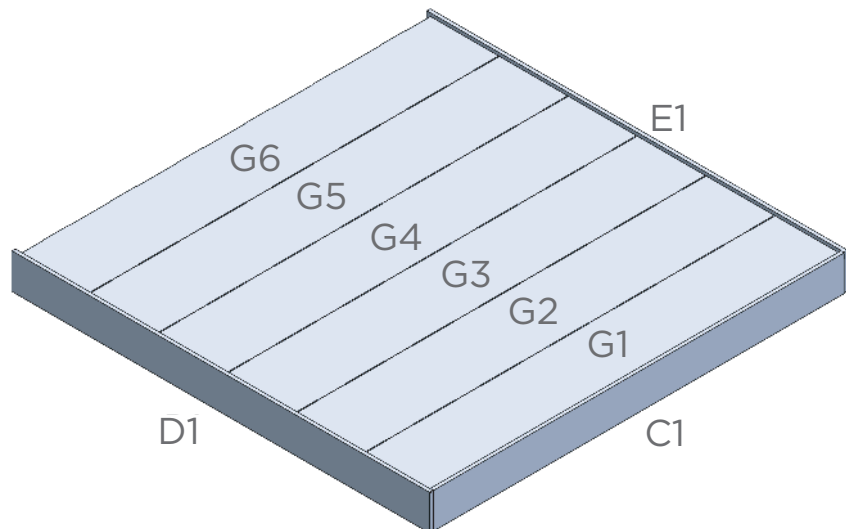
STEP 5:

Insert F1 as shown.



STEP 6:

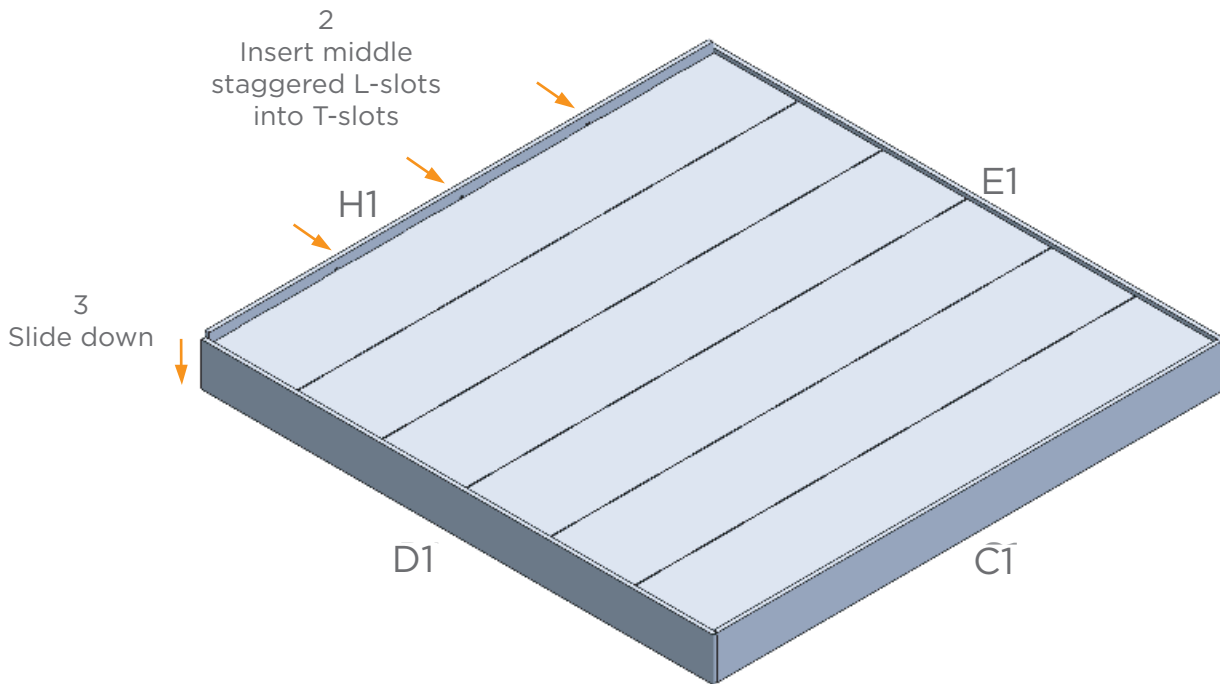
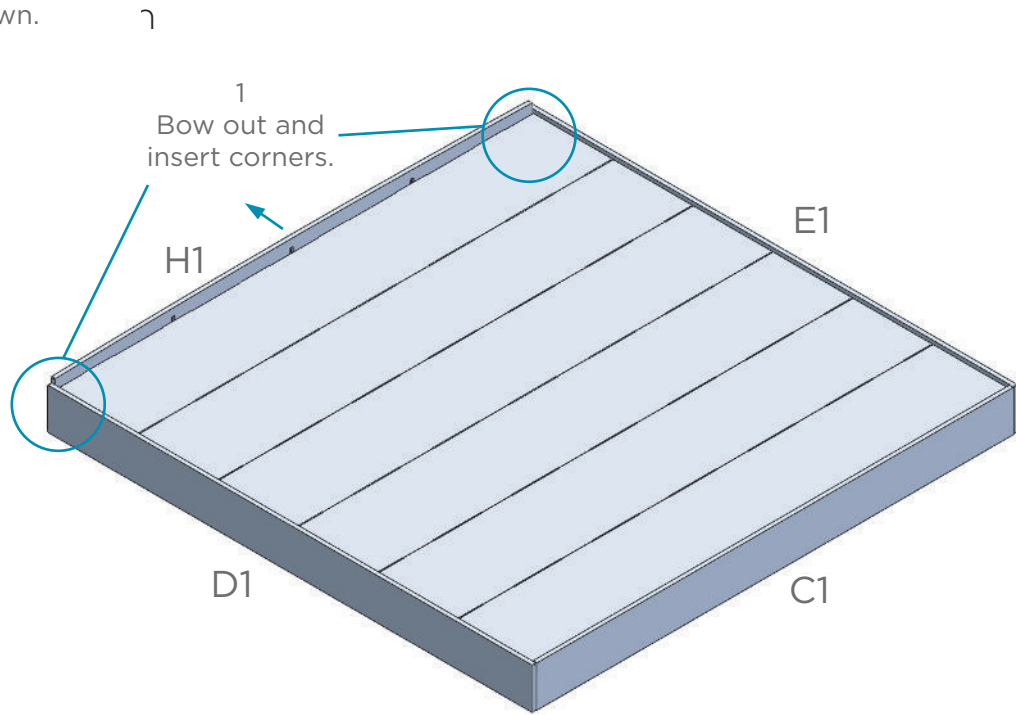
Insert G1-G6 as shown.



Note: Parts are labeled in the order of assembly.

STEP 7:

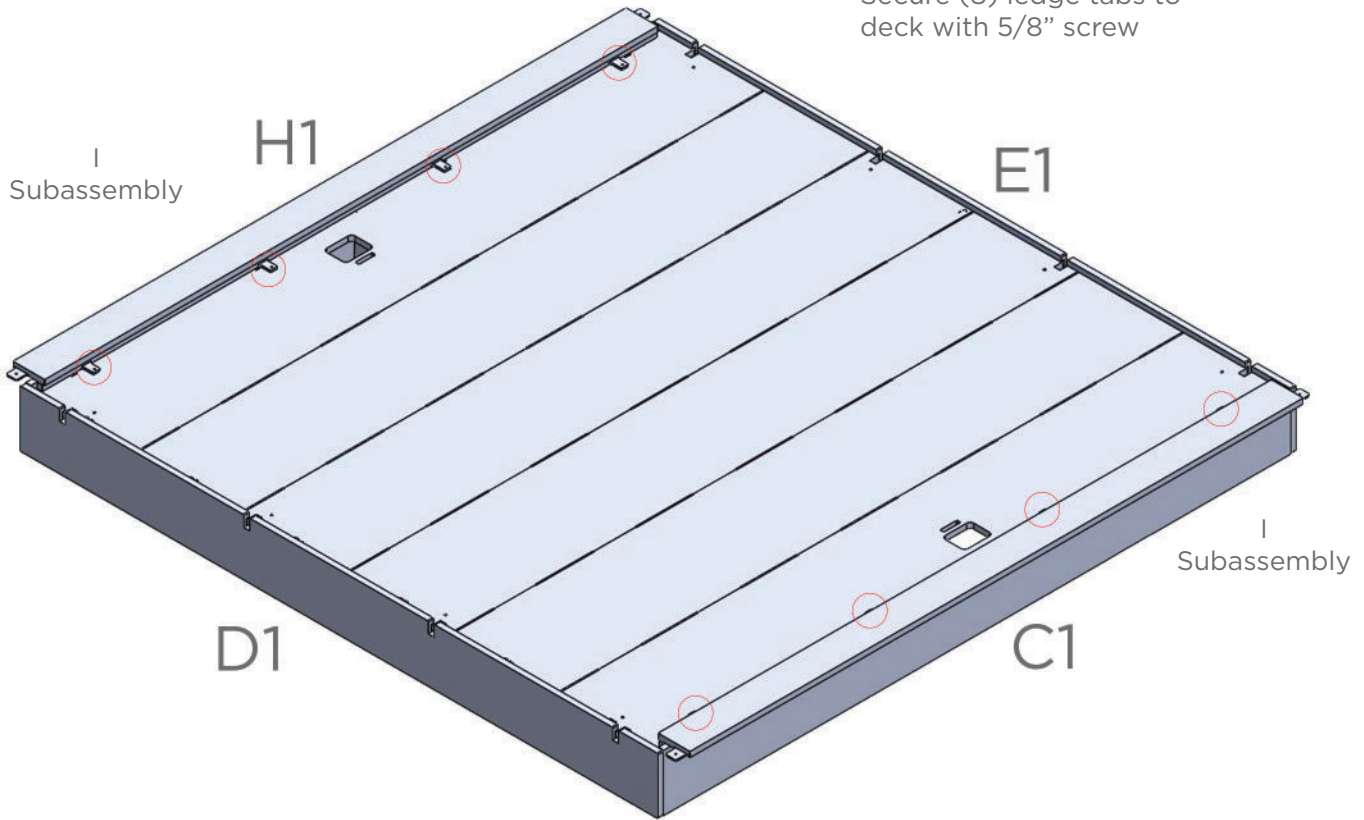
Insert H1 as shown.



LEDGE ASSEMBLY

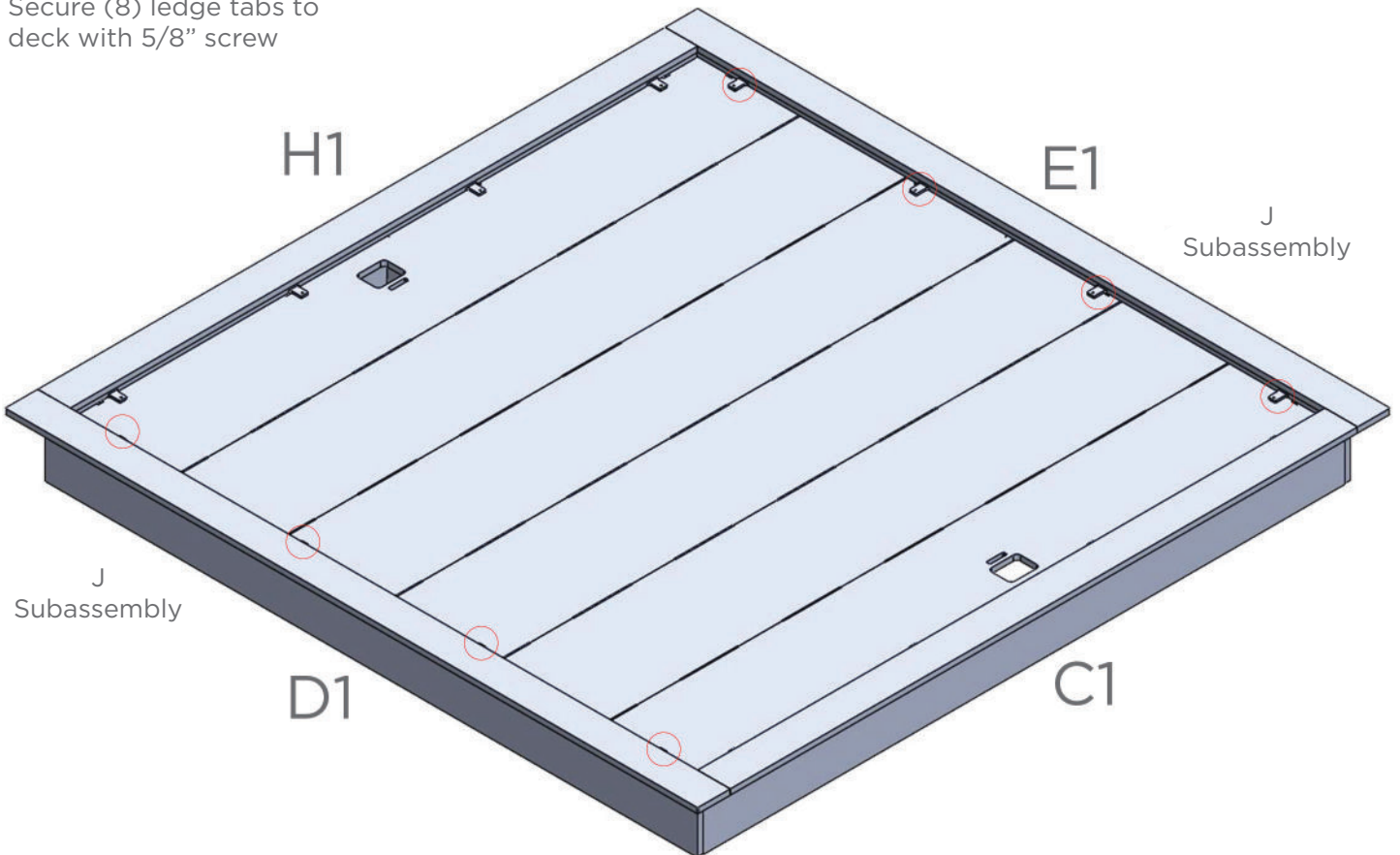
STEP 1:

Secure (8) ledge tabs to deck with 5/8" screw



STEP 2:

Secure (8) ledge tabs to deck with 5/8" screw



LEDGE ASSEMBLY

STEP 3:

Secure (4) corners
with 5/8" screw

