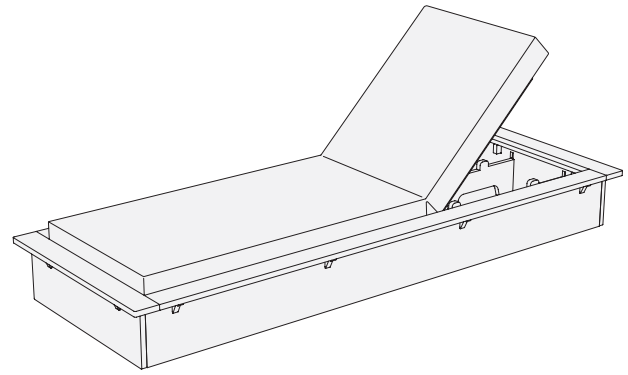




ECHO CHAISE



THANK YOU FOR YOUR PURCHASE

Our team of expert designers, craftsmen, and pool industry professionals have obsessed over every detail of your Echo Chaise. From concept to delivery, every decision was made with you in mind. Sweating the smallest things is our goal, so you can enjoy the big things that matter - making meaningful moments.

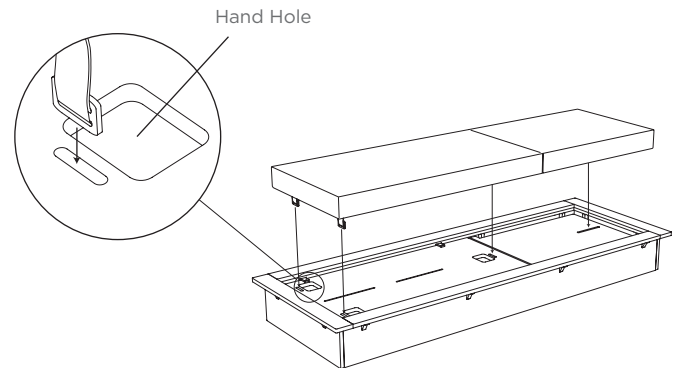
Your outdoor experience comes with peace of mind. That's why we pride ourselves on long-lasting, low-maintenance outdoor living, and we back it up with a best-in-class warranty.

If you aren't happy with your purchase, please give us a call at 888.749.5336. We will do whatever it takes to make it right.

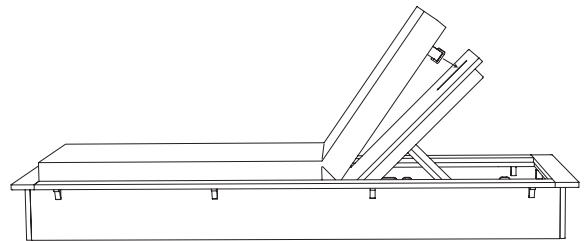
IMPORTANT NOTE

The Echo Chaise is designed for on-deck use only.

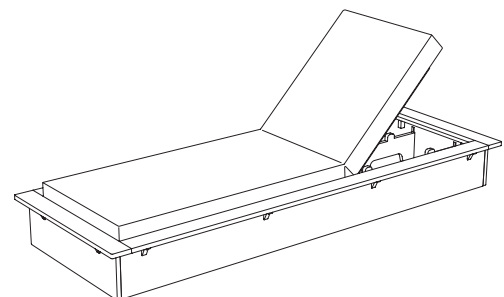
STEP 1: Place the cushion on the chaise as shown. Make note of the buckle placement and front/back orientation. Insert the 3 front buckles into the slots using the hand holes to pull the buckles completely through. Make sure the buckles are secure and can't be pulled out.



STEP 2: Adjust the angle of the back of the chaise. Insert the buckle through the slot.



STEP 3: Enjoy your new Echo Chaise and begin creating life's most meaningful moments. Tag us for a chance to be featured!



SHOW US HOW YOU LIVE THE LEDGE LIFE
#LEDGELIFE