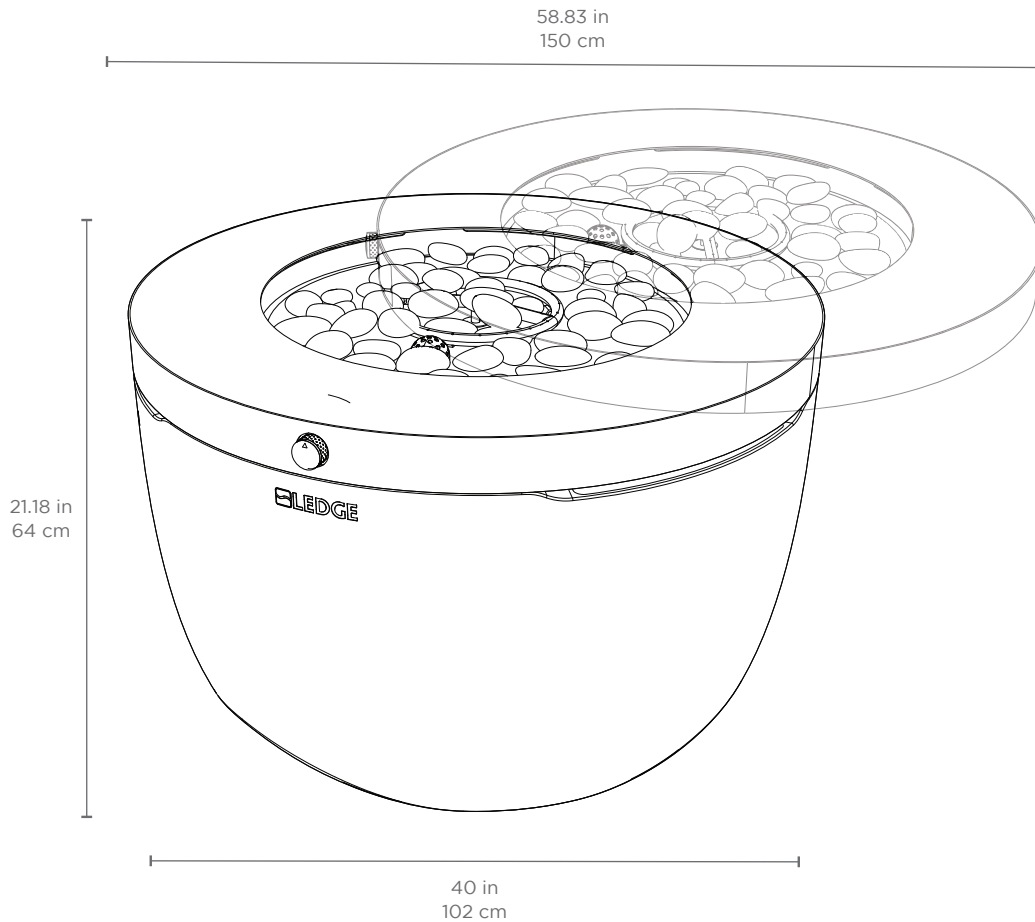


LEDGE HALO™ PIVOTGLIDE FIREPIT



FEATURES

- Concealed compartment for propane tank
- Pivotglide Lid
- Minimal assembly required
- No gas line needed
- Lightweight for easy movement
- Permanent installation ability
- All-weather resistance
- Crafted of high-quality UV20 rated resin, color stabilized for up to 20,000 hours of direct sunlight.
- Powder-coated metal finishes
- Wind-Sense™ flameout sensor
- CSA-certified propane burner
- Automatic ignition system
- Flame control capabilities
- Up to 10 hours of burn time
- Easy-to-clean materials
- Compatible with standard 20 lb | 9.1 kg propane tank
- Suitable for residential and commercial
- Comes with lava rocks

SPECIFICATIONS

Width: 40 in | 102 cm
Height: 25.18 in | 64 cm
Footprint: 40 x 10.47 in | 102 x 104 cm
When Pivotglide Lid open: 58.83 in | 150 cm

Weight of Top Assembly: 56 lbs | 25.4 kg
Weight of Base Empty: 45 lbs | 20.4 kg
Weight of Base Filled with Water: 545 lbs | 247.2 kg
Weight of Rock Media: 50 lbs | 22.7 kg

MAINSTAY

ULTIMATE ADIRONDACK



FEATURES

- Perfect for residential or commercial settings
- Designed for on-deck use
- Crafted from extruded, high density polyethylene
- UV stable, moisture and mildew resistant
- Withstands outdoor environment without swelling, splintering, fading, or warping
- Built-in bottle opener (A)
- Swivel cup and wine glass holder (B)
- Stainless steel hardware
- Minimal assembly required
- Custom engraving available
- Available in multiple colors

SPECIFICATIONS

Overall Width: 30 in | 76 cm
Overall Depth: 37.5 in | 95 cm
Overall Height: 37 in | 94 cm

Seat Height: 17 in | 43 cm
Arm Rest Front Height: 23.5 in | 60 cm
Arm Rest Back Height: 22.5 in | 57 cm
Weight: Solid Color: 60 lbs | 27 kg Wood Grain: 48 lbs | 22 kg