

Ledge Halo™ PivotGlide Fire Pit

Installation and Operating Instructions



LL-FL-FP-PR-RD40-MNR
LL-FL-FP-PR-RD40-SNS
LL-FL-FP-PR-RD40-TWL
LL-FL-FP-PR-RD40-NTF

IF YOU CANNOT READ OR UNDERSTAND THESE
INSTALLATION INSTRUCTIONS DO NOT ATTEMPT
TO INSTALL OR OPERATE THIS APPLIANCE



WARNING: For Outdoor Use Only

PLEASE RETAIN THIS MANUAL FOR FUTURE
REFERENCE



Important Safety Information



DANGER



CARBON MONOXIDE HAZARD

This appliance produces Carbon Monoxide which has no odor.

Using it in an enclosed space can kill you.

Never use this appliance in an enclosed space such as a camper, tent, car, or home.



DANGER FIRE OR EXPLOSION HAZARD

If you smell gas:

- Shut off the appliance.
- Extinguish any open flame.
- If odor continues, leave the area immediately.
- After leaving the area, call your gas supplier or fire department.

Failure to follow these instructions could result in fire or explosion, which could cause property damage, personal injury, or death.



WARNING

Do not store gasoline, or other flammable vapors and liquids, in the vicinity of this or any other appliance.

An LP-cylinder not connected for use shall not be stored in the vicinity of this or any other appliance.



WARNING: For Outdoor Use Only.

Installation and service must be performed by a qualified installer, service agency, or the gas supplier.



WARNING: If the information in this manual is not followed exactly, a fire or explosion may result causing property damage, personal injury, or loss of life.

Important Safety Information

**⚠ DANGER • FLAMMABLE GAS UNDER PRESSURE.
LEAKING LP-GAS MAY CAUSE A FIRE OR EXPLOSION IF IGNITED
CAUSING SERIOUS BODILY INJURY OR DEATH.
CONTACT LP GAS SUPPLIER FOR REPAIRS, OR DISPOSAL OF THIS
CYLINDER OR UNUSED LP-GAS.**

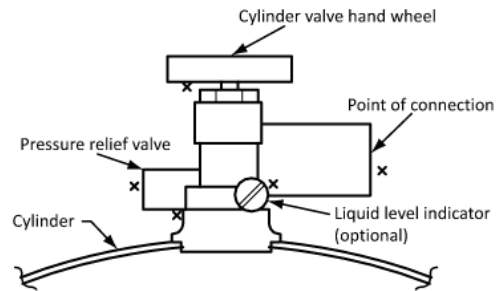
**⚠ WARNING • FOR OUTDOOR USE ONLY.*
DO NOT USE OR STORE CYLINDER IN A BUILDING,
GARAGE OR ENCLOSED AREA.**

⚠ WARNING:

- Know the odor of LP-gas. If you hear, see or smell leaking LP-gas, immediately get everyone away from the cylinder and call the Fire Department. Do not attempt repairs.
- Caution your LP-gas supplier to:
 - Be certain cylinder is purged of trapped air prior to first filling.
 - Be certain not to over fill the cylinder.
 - Be certain cylinder requalification date is checked.
- LP-gas is heavier than air and may settle in low places while dissipating.
- Contact with the liquid contents of cylinder will cause freeze burns to the skin.
- Do not allow children to tamper or play with cylinder.
- When not connected for use, keep cylinder valve turned off. Self contained appliances shall be limited to a cylinder of 30 lb capacity or less.
- Do not use, store or transport cylinder where it would be exposed to high temperatures. Relief valve may open allowing a large amount of flammable gas to escape.
- When transporting, keep cylinder secured in an upright position with cylinder valve turned off.

WHEN CONNECTING FOR USE:

- Use only in compliance with applicable codes.
- Read and follow manufacturer's instructions.
- Consult manufacturer's instructions concerning the cylinder connection provided with your appliance.
- Be sure regulator vent is not pointing up.
- Turn off all valves on the appliance.
- Do not check for gas leaks with a match or open flame. Apply soapy water at areas marked "X". Open cylinder valve. If bubble appears, close valve and have LP-gas service person make needed repairs. Also, check appliance valves and connections to make sure they do not leak before lighting appliance.
- Light appliance(s) following manufacturer's instructions.
- When appliance is not in use, keep the cylinder valve closed.



**DO NOT REMOVE, DEFACE, OR OBLITERATE THIS LABEL
*EXCEPT AS AUTHORIZED BY ANSI/NFPA 58.**

⚠ DANGER. Do not store a spare LP cylinder under or near a barbecue grill, or other heat sources.
NEVER fill an LP cylinder beyond 80% full: a fire causing death or serious injury may occur.

Important Safety Information

- Type of gas: Propane
- INPUT RATING: 70,000BTU/Hr (20.5KW) and manifold pressure 11in wc(2.74kPa)
- Min. Gas Supply for Input adj: 25PSI (175kPa)
- Max. Gas Supply: 250PSI (1750kPa)

- USE OUTDOORS ONLY.
- READ THE INSTRUCTIONS BEFORE USING THE APPLIANCE
- NOTICE TO INSTALLER: These instructions must be left with the consumer.
- NOTICE TO CONSUMER: Retain these instructions for future reference. If you have any questions, please contact Ledge customer service.

- **Information**
- DANGER, WARNING, and CAUTION statements are used throughout this Owner's Manual to emphasize critical and important information. Read and follow these statements to help ensure safety and prevent property damage. The statements are defined below.
- DANGER: Indicates a hazardous situation which, if not avoided, will result in death or serious injury.
- WARNING: Indicates a hazardous situation which, if not avoided, could result in death or serious injury.
- CAUTION: Indicates a hazardous situation which, if not avoided, could result in minor or moderate injury.

- **Installation and Assembly**
- DANGER: This Firepit is not intended to be installed in or on recreational vehicles or boats.
- WARNING: Do not use this Firepit unless all parts are in place and the Firepit was properly assembled according to the assembly instructions.
- WARNING: Do not build this model of Firepit in any built-in or slide-in construction.
- WARNING: Do not modify the appliance (Firepit). Liquid propane gas is not natural gas. The conversion or attempted use of natural gas in a liquid propane gas unit or liquid propane gas in a natural gas unit is unsafe and will void your warranty.
- In the United States, installation must conform with local codes or, in the absence of local codes, with either the National Fuel Gas Code, ANSI Z223.1/ NFPA 54, Natural Gas and Propane Installation Code, CSA B149.1; or Propane Storage and Handling Code, B149.2; or the Standard for Recreational Vehicles, ANSI A119.2/NFPA 1192, and CSA Z240 RV Series, Recreational Vehicle Code, as applicable.
- In Canada, the installation of this Firepit must comply with local codes and/or the latest edition of Standard CAN/CSA-B149.2 (Propane Storage and Handling Code). These instructions, while generally acceptable, do not necessarily comply with the Canadian installation codes, particularly with piping above and below ground.
- In Mexico, if there are local codes that apply to portable gas appliances, you must comply with the latest edition of Official Mexican Standard (NOM).
- If an external electrical source is utilized it must be electrically grounded in accordance with local codes or, in the absence of local codes, with the National Electrical Code, ANSI/NFPA 70, or the Canadian Electrical Code, Part 1, CSA C22.1.

- **If you smell gas:**
- **Shut off gas to the appliance (Firepit).**
- **Extinguish any open flame.**
- **Open lid.**
- **If odor continues, keep away from the appliance (Firepit) and immediately call your gas supplier or your fire department.**

- **Operation**
- DANGER: Only use the Firepit outdoors in a well-ventilated area. Do not use in a garage, building, breezeway, tent, any other enclosed area, or beneath overhead combustible construction.
- DANGER: Do not use the Firepit in any vehicle or in any storage or cargo area of any vehicle. This includes, but is not limited to, cars, trucks, station wagons, mini-vans, sport utility vehicles, recreational vehicles, and boats.
- DANGER: Do not use the Firepit close to combustible materials. This includes the top, bottom, back and sides of the Firepit. Combustible materials must remain 60 inches from the sides, 60 inches from the back, and 100 inches from the top.
- DANGER: Keep the area around the Firepit clear of flammable vapors and liquids such as gasoline, alcohol, etc., and combustible materials.
- DANGER: This appliance (Firepit) must be kept away from flammable materials during use.
- DANGER: Do not put a Firepit cover or anything flammable on, or in the storage area under the Firepit while it is in operation or is hot
- DANGER: Should a grease fire occur, turn off all burners and keep away from the appliance. Use a fire extinguisher.
- WARNING: Accessible parts and surfaces may be very hot. Take care to avoid burns to clothing or skin.
- WARNING: Keep young children in close supervision around the appliance
- WARNING: Clothing or other flammable materials should not be hung from the appliance or placed on or near the appliance.

Important Safety Information

- **Operation - Continued**

- WARNING: The use of alcohol, prescription drugs, non-prescription drugs, or illegal drugs may impair the consumer's ability to properly and safely assemble, move, store, or operate the Firepit.
- WARNING: Never leave the Firepit unattended during pre-heating or use. Exercise caution when using this Firepit. The entire burner pan gets hot when in use.
- WARNING: Do not move the appliance (Firepit) during use.
- WARNING: Keep any electrical supply cord and the fuel supply hose away from any heated surfaces.
- CAUTION: This product has been safety-tested and is only certified for use in a specific country. Refer to country designation located on outside of box.
- WARNING: Do not use any burner media that is not specifically rated for use in a propane firepit.
- WARNING: Do not burn Solid fuels (Wood, Charcoal, etc.) in this appliance
- WARNING: Any guard, barrier, or other protective device removed for servicing the appliance shall be replaced prior to operating the appliance.
- WARNING: Do not use this appliance if any part has been under water. Immediately call a qualified service technician to inspect the appliance and replace any part of the control system and any gas control that has been under water.
- CAUTION: The burner tube openings must be positioned properly over the valve orifices.
- CAUTION: Take care to not pinch or damage propane hose while opening and closing the appliance.
- WARNING: Inspect propane hose before each use. If hose is damaged or worn excessively, do not use the appliance. Contact the Ledge Customer service department. The hose assembly is unique and must be replaced with components from the manufacturer.

- **Storage and/or Nonuse**

- WARNING: Turn off the gas supply at the gas cylinder (tank) after use.
- WARNING: LP tanks must be stored outdoors out of the reach of children and must not be stored in a building, garage, or any other enclosed space.
- WARNING: After a period of storage and/or nonuse, the Firepit should be checked for gas leaks and burner obstructions before use.
- Storage of the Firepit indoors is permissible only if the LP tank is disconnected and removed from the Firepit
- WARNING: Do not store or use gasoline or other flammable liquids or vapors in the vicinity of this (Firepit) or any other appliance.
- An LP cylinder (tank) not connected for use shall not be stored in the vicinity of this (Firepit) or any other appliance.

- **Maintenance**

- WARNING: Do not attempt to make any repair to gas carrying, gas burning, ignition components or structural components without contacting Ledge- Customer Service Department.
- WARNING: Failure to use genuine Ledge parts for any repair or replacement will void all warranty protection.
- WARNING: Installation and repair should be done by a qualified service person. The appliance should be inspected before use and at least annually by a qualified service person. More frequent cleaning may be required as necessary. It is imperative that the control compartment, burners, and circulating air passageways of the appliance are kept clean.

- **California Proposition 65**

- WARNING: Combustion byproducts produced when using this product contain chemicals known to the state of California to cause cancer, birth defects, or other reproductive harm.
- PROPOSITION 65 WARNING: Handling the brass material on this product exposes you to lead, a chemical known to the state of California to cause cancer, birth defects, or other reproductive harm. Wash hands after handling this product.

Warranty Information

Ledge Halo™ Firepit

3-year Limited Warranty

We warranty each and every Ledge product to be high quality and free of manufacturing defects, and we will service or replace components that are deemed defective at our discretion. Components are warranted as follows:

Halo Firepit Base: 3 years from date of sale

Halo PivotGlide Metal Top, Burner Tube, Gas Train elements, and Ignitor: 18 months from date of sale

Firepit Rock and Other Components: 18 months from date of sale

The following exclusions apply and are not covered by the warranty:

Scratches, chipping, staining, dents or cosmetic blemishes that are a result of normal use and exposure to the elements

Any damage that is a result of standing on firepit or other unusual, unintended or abnormal use circumstances

Any damage or malfunction related to an external third-party propane tank

This warranty is subject to change without notification. Please call Ledge Customer Service with any questions.

CONTACT US

Our customer service team is happy to help with any questions regarding assembly or usage

customerservice@ledgeloungers.com

North America

- +1 888.749.5336

- 8 am - 6pm CT Monday - Friday, 12 am - 5pm Saturday

International

- +1 281.971.4470

Propane Information

- Important Information about LP Gas & Gas Connections

- What Is LP Gas?

- Liquefied petroleum gas, also called LP, LP gas, liquid propane, or simply propane or butane, is the flammable, petroleum-based product used to fuel your Firepit. It is a gas at moderate temperatures and pressure when it is not contained. But at moderate pressure inside a container, such as a tank, LP is a liquid. As pressure is released from the tank, the liquid readily vaporizes and becomes gas.
- Safe Handling Tips For LP Tanks
- A dented or rusty liquid propane tank may be hazardous and should be checked by your liquid propane supplier. Do not use a liquid propane tank with a damaged valve.
- Although your liquid propane tank may appear to be empty, gas may still be present, and the tank should be transported and stored accordingly.
- The LP tank must be installed, transported, and stored in an upright, secure position. LP tanks should not be dropped or handled roughly.
- Never store or transport the LP tank where temperatures can reach 125° F (51.7° C) (the tank will become too hot to hold by hand).
- Place dust cap on cylinder valve outlet whenever the cylinder is not in use. Only install the type of dust cap on the cylinder valve outlet that is provided with the cylinder valve. Other types of caps or plugs may result in leakage of propane.

- LP Tank Requirements

- The tank must be approximately 18¼ inches (46.35 cm) high and 12¼ inches (31.1 cm) in diameter with a marked 20 pound (9.07 kg) LPG capacity or 47.6 pound (21.6 kg) water capacity as stated by the manufacturer. Other tanks may be acceptable provided they are compatible with the Firepit retention means (tank scale).
- The tank used must be constructed and marked in accordance with the Specifications for LP gas Cylinders of the U.S. Department of Transportation (D.O.T.); or the Canadian Standard for Cylinders, Spheres and Tubes for Transportation of Dangerous Goods and Commission, CAN/CSA-B339, as applicable.
- Tanks must be provided with a listed OPD (Overfilling Prevention Device) and a Type 1 (CGA 791) tank connection. The tank connection must be compatible with the Firepit connection.
- The tank must include a collar to protect the tank valve.
- Tanks must have a D.O.T. certification (A), and a testing date (B) that is within five years of current use.

- What is a Regulator?

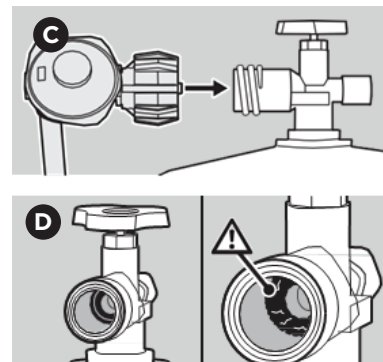
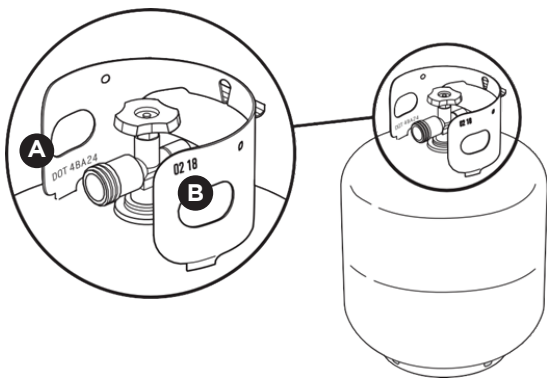
- Your gas Firepit is equipped with a pressure regulator, which is a device to control and maintain uniform gas pressure as gas is released from the LP tank.

- Regulator Requirements

- The regulator and hose assembly supplied with this Firepit must be used. This regulator has a flow limiting device built into the unit that will restrict the flow of gas in the event that a leak is detected.
- Replacement regulator and hose assemblies must be as specified by Ledge (UL-listed Type 1 (CGA 791) tank connection device as described in the latest edition of ANSI Z21.81).

- Inspect the Tank

- Confirm that the tank valve is fully closed. Close by turning valve clockwise.
- Confirm that the tank valve is the proper mating type for the regulator (C).
- Inspect the tank valve, including the internal rubber seal for damage or debris (D). If damaged, return tank to local retailer.



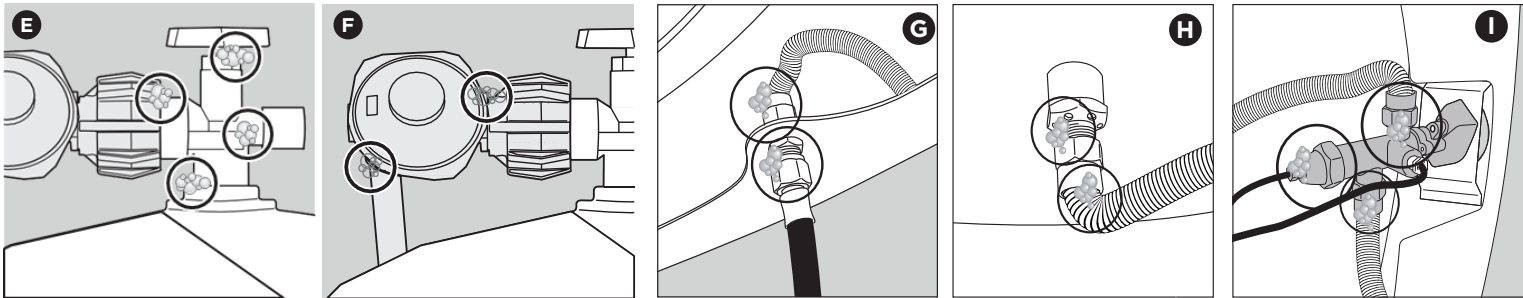
Leak Check

- What is a Leak Check?

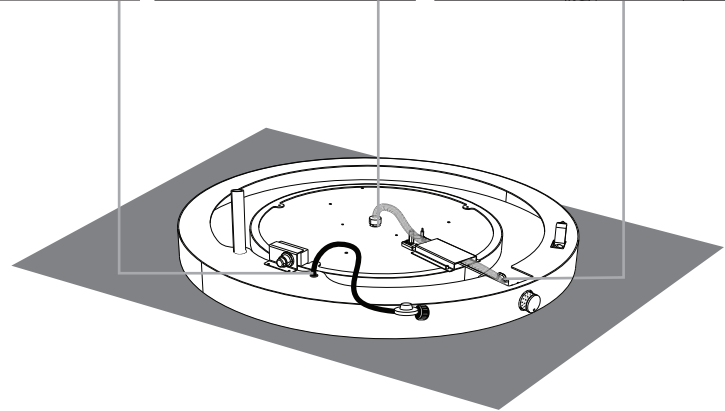
- Once the LP tank is properly installed, it is necessary to perform a leak check. A leak check is a reliable way to verify that gas is not escaping after you connect the tank. The fuel system in your Firepit features factory-made connections that have been thoroughly checked for gas leaks and the burners have been flame-tested. Ledge recommends performing a thorough leak check after assembly, as well as regularly throughout the life of the product. The following fittings should be tested:
 - Where the regulator connects to the tank.
 - Where the gas hose connects to the bulkhead.
 - Where the bulkhead connects to the corrugated gas line.

- Checking for Gas Leaks

- Wet fittings (E,F,G,H,I) with a soap and water solution, using a spray bottle, brush, or rag. You can make your own soap and water solution by mixing 20% liquid soap with 80% water; or, you can purchase leak check solution in the plumbing section of any hardware store.
- Slowly open gas supply by turning tank valve counterclockwise while checking for bubbles.
- If bubbles appear there is a leak:
- If the leak is at the cylinder (E), turn off the gas. **DO NOT OPERATE THE Firepit.** Disconnect the tank and return the tank to your local retailer.
- If the leak is at the regulator (F), turn off the gas. **NEVER ATTEMPT TO TIGHTEN THE REGULATOR WITH TANK VALVE OPEN. DO NOT OPERATE THE FIREPIT.** Contact the Customer Service Representative in your area using the contact information on our website.
- If the leak is at any fittings indicated in illustration (G, H, or I), re-tighten fitting with a wrench and recheck for leaks with soap and water solution. If leak persists, turn off the gas. **DO NOT OPERATE THE FIREPIT.**
- If a leak is present, contact the Customer Service Representative in your area using the contact information on our website.
- If bubbles do not appear, leak checking is complete:
- Turn gas supply off at the tank and rinse connections with water.
- NOTE: Since some leak test solutions, including soap and water, may be slightly corrosive, all connections should be rinsed with water after checking for leaks.



- **DANGER:** Do not use a flame to check for gas leaks. Be sure there are no sparks or open flames in the area while you check for leaks.
- **DANGER:** Leaking gas may cause a fire or explosion.
- **DANGER:** Do not operate the Firepit if there is a gas leak present.
- **DANGER:** If you see, smell, or hear the hiss of gas escaping from the liquid propane tank:
 - Move away from liquid propane tank.
 - Do not attempt to correct the problem yourself.
 - Call your fire department.
- **DANGER:** Always close the tank valve before disconnecting the regulator. Do not attempt to disconnect the gas regulator and hose assembly or any gas fitting while this Firepit is in operation.
- **DANGER:** Do not store a spare LP tank under or near this Firepit. Never fill the tank beyond 80% full. Failure to follow these statements exactly may result in a fire causing death or serious injury.



Cleaning and Maintenance

- **Cleaning the Burners**

- Two areas on the burners that are key to optimum performance are the ports (small openings running along the top of the burner) and the F/P Mixer area on the bottom of the burner. Keeping these areas clean is essential for safe operation.
- **Cleaning the Burner Ports**
- 1) Use a clean stainless steel bristle brush or fine steel wool to clean the outside of the burners by brushing across the top of the burner ports.
- 2) When cleaning the burner, avoid damaging the ignition electrode by carefully brushing around it.

Cleaning the Outside of the Firepit

The outside of your Firepit may include stainless steel, powder coated, and plastic surfaces. Ledge recommends the following methods based on the surface type.

Cleaning Stainless Steel Surfaces

Clean stainless steel using a non-toxic, non-abrasive stainless steel cleaner or polish designed for use on outdoor products and Firepits. Use a microfiber cloth to clean in the direction of the grain of the stainless steel. Do not use paper towels.

Note: Do not risk scratching your stainless steel with abrasive pastes. Pastes do not clean or polish. They will change the color of the metal by removing the top chromium oxide film coating.

Cleaning Painted, Powder Coated Surfaces and Plastic Components

Clean painted, powder-coated and plastic components with warm soapy water, and paper towels or cloth. After wiping down the surfaces, rinse and dry thoroughly.

Cleaning the Outside of Firepits that are in Unique Environments

If your Firepit is subject to a particularly harsh environment, you will want to clean the outside more often. Acid rain, pool chemicals, and salt water can cause surface rusting to appear. Wipe down the outside of your Firepit with warm soapy water. Follow up with a rinse and thorough drying. Additionally, you may want to apply a stainless steel cleaner weekly to prevent surface rust.

Cleaning the Inside of the Molded Base

Use a soft, damp cloth to wipe the interior of the cabinet. Be careful not to pull any of the wire connections when cleaning around the electronic components

CAUTION: NEVER SPRAY THE FIREPIT WITH A STEADY WATER STREAM SUCH AS FROM A GARDEN HOSE OR POWER WASHER. ELECTRONIC COMPONENTS COULD BECOME DAMAGED.

Cleaning the Rock Media

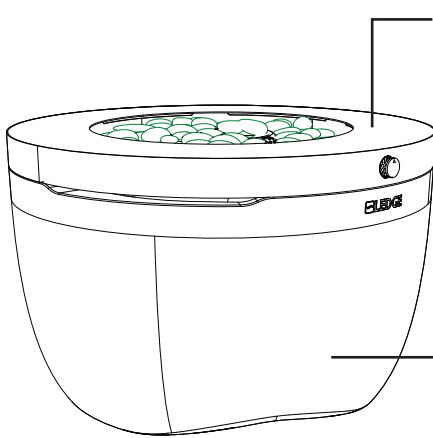
Put all rock media in a bucket or plastic container. Spray with hose and use a scrub brush to clean rocks.

Dump out water when cleaning is complete. Don't let the rock media soak in water for more than 20 minutes.

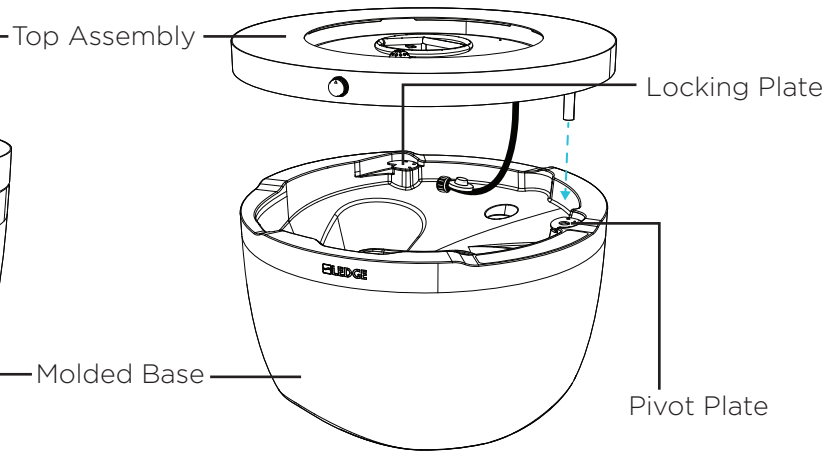
Allow media 24 hrs to completely dry before replacing and using in Firepit.

FEATURES

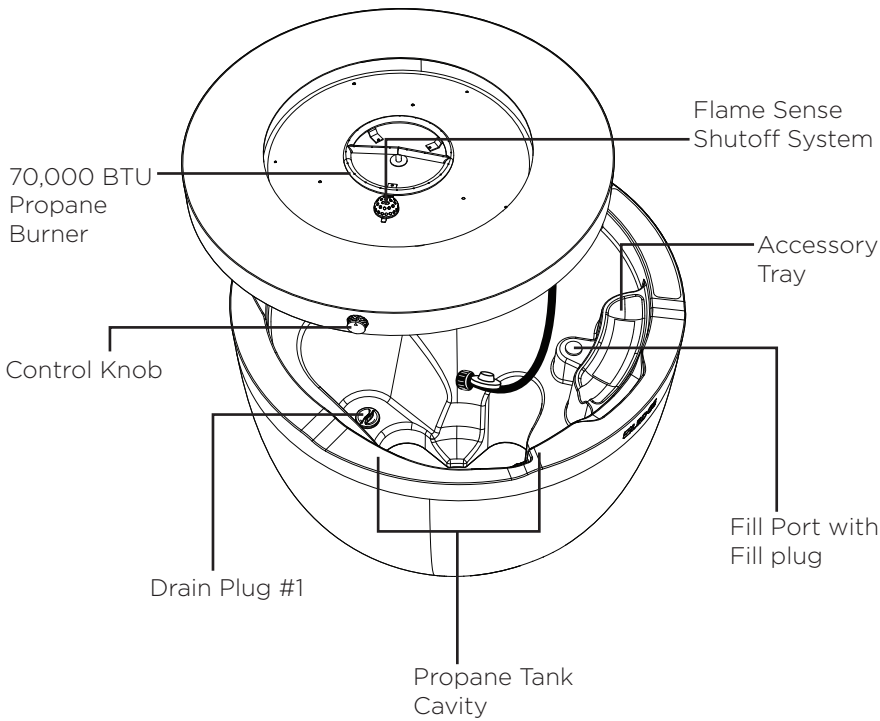
Assembled Unit



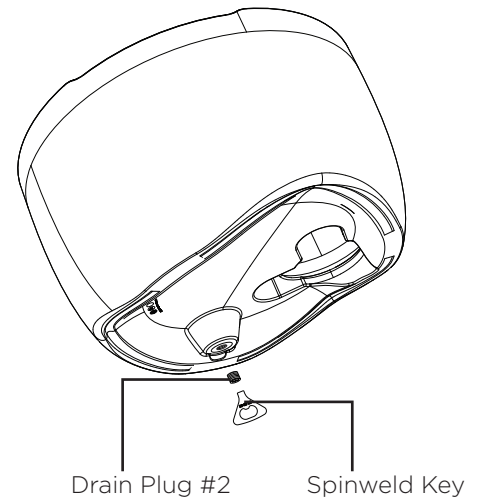
Top Assembly Removed



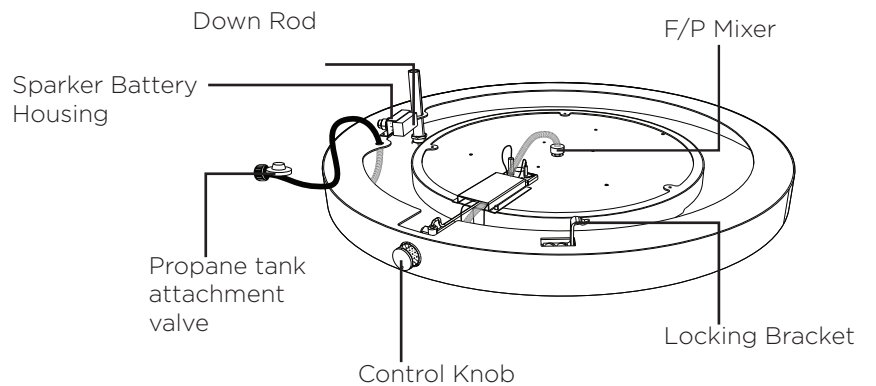
Top Swiveled Open



Underside of Molded Base

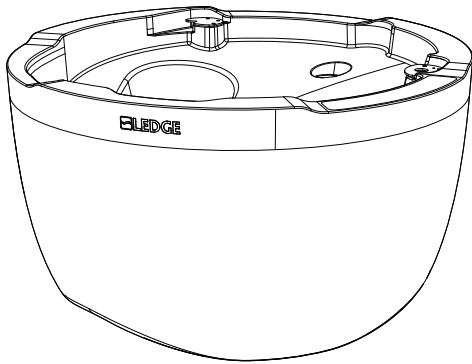


Underside of Top Assembly

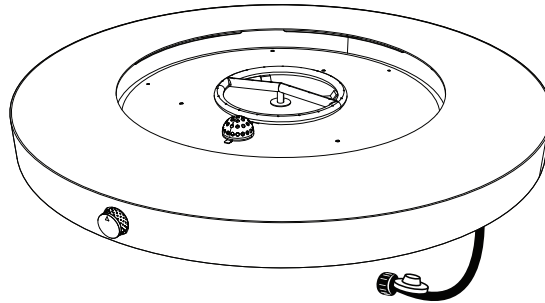


PARTS INCLUDED

Molded Base



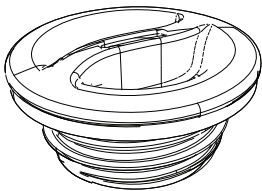
Top Assembly



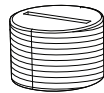
Downrod



Drain Plug #1



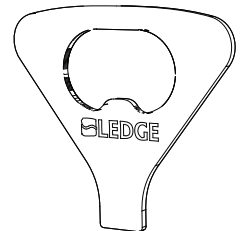
Drain Plug #2



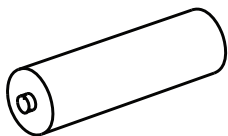
Silicone Fill Plug



Spinweld Key



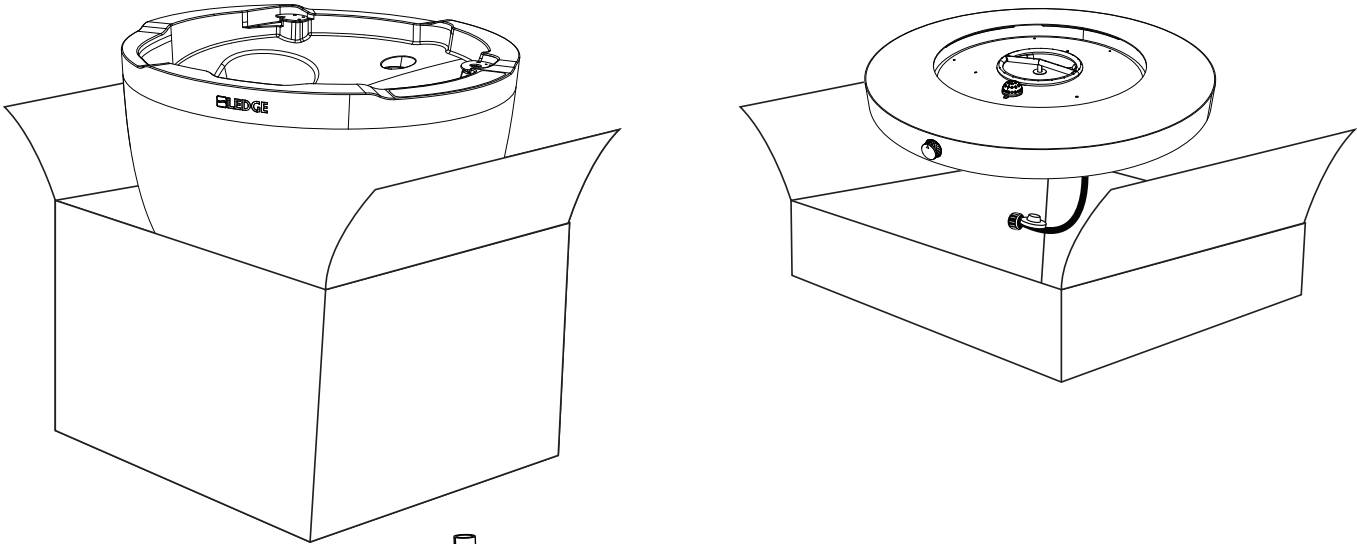
AA Battery



ASSEMBLY INSTRUCTIONS

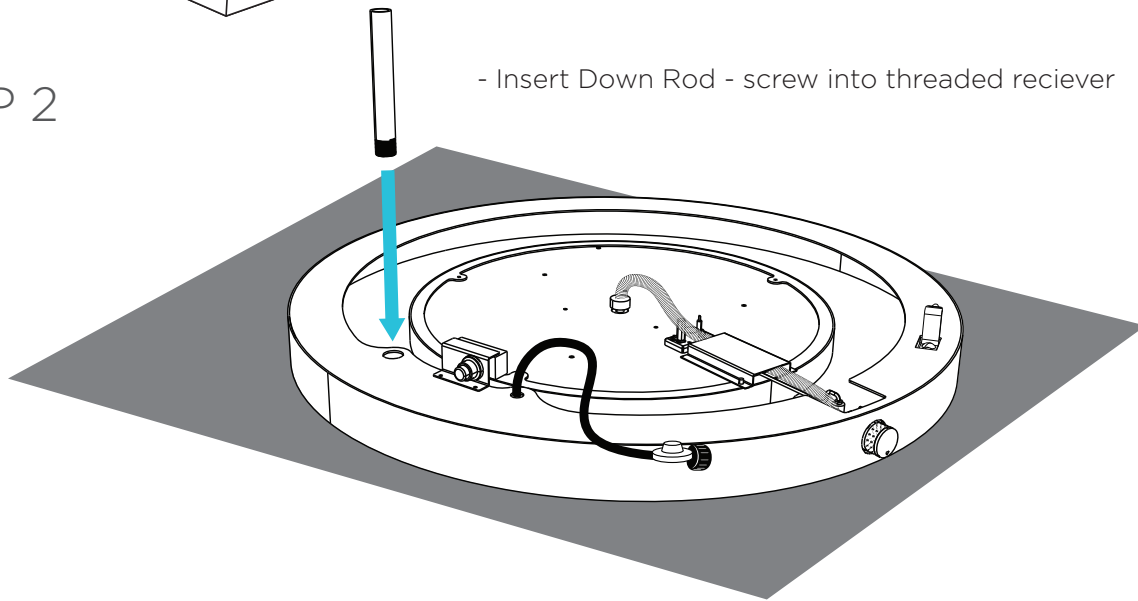
STEP 1

- Unwrap the top and the base
- Turn top upside down and place on soft surface



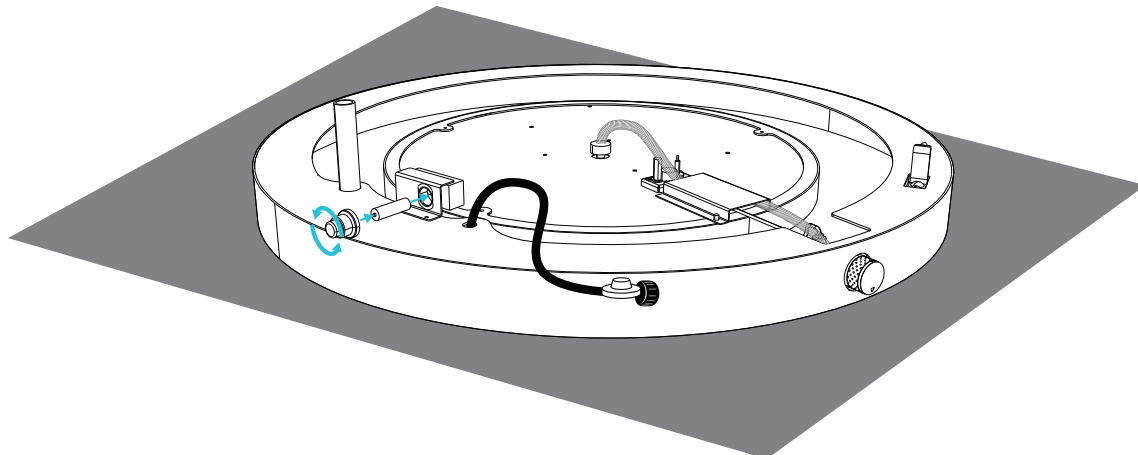
STEP 2

- Insert Down Rod - screw into threaded receiver



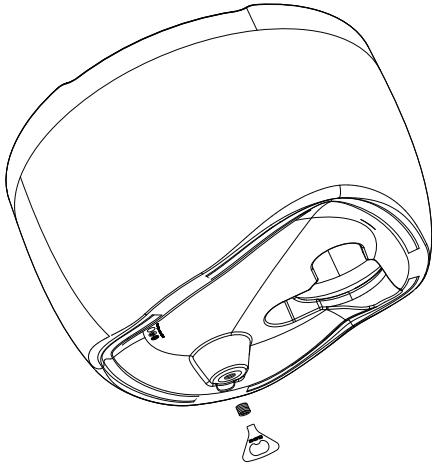
STEP 3

- Unscrew sparker battery holder and insert one AA Battery (included). Close sparker battery holder.



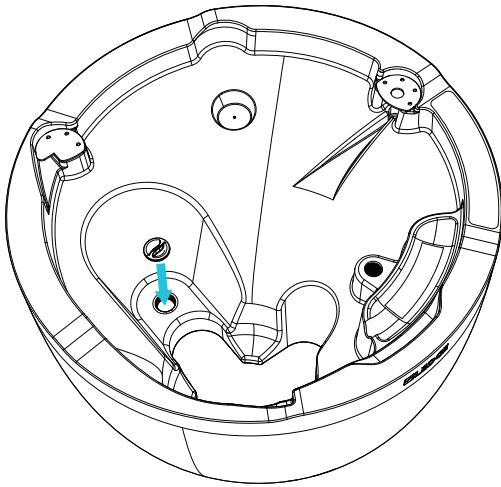
STEP 4

- Using the Spinweld Key, Ensure Drain Plug #2 is fastened securely in the bottom spinweld of the base



STEP 5

- Insert Drain Plug #1 securely into Molded base. Tighten with Spinweld Key to achieve a waterproof seal.
- If installed, move to next step



STEP 6

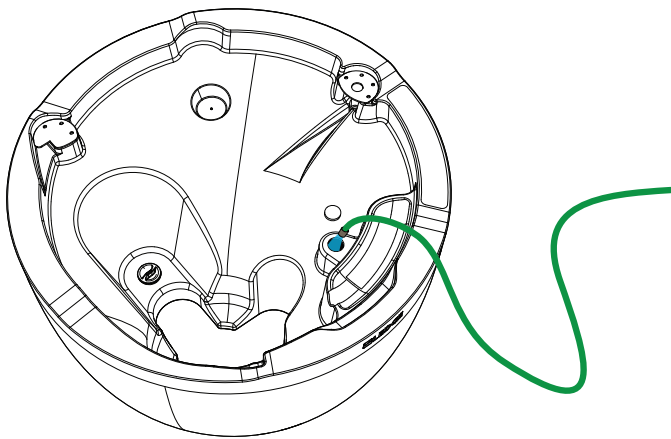
- Using two people to carry each part individually, move Firepit parts to their to final location (Outside patio, Balcony, etc.)



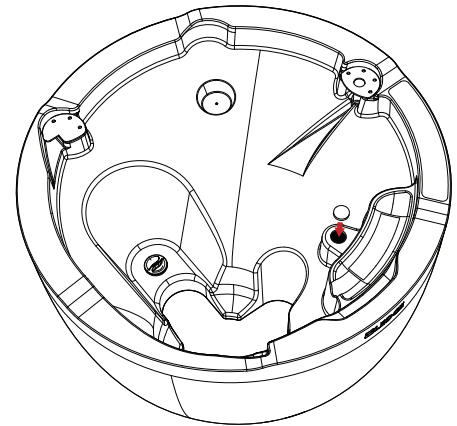
WARNING: Do **not** set up the Firepit in water or in deep sand. The bottom of the firepit must be unobstructed to allow any excess propane gas to drain.

STEP 7 (OPTIONAL)

- The molded base may be filled with water as a means to anchor the unit in place. If you want your firepit to be more easily transportable, skip this step.
- **(Optional)** Fill Molded base with water through the fill port. Filling unit for 3-5 minutes will provide additional anchoring weight. For additional weight, the unit may be filled until overflowing.
- Adding a small chlorine tablet will help regulate mold



Insert Fill Plug to close fill Port



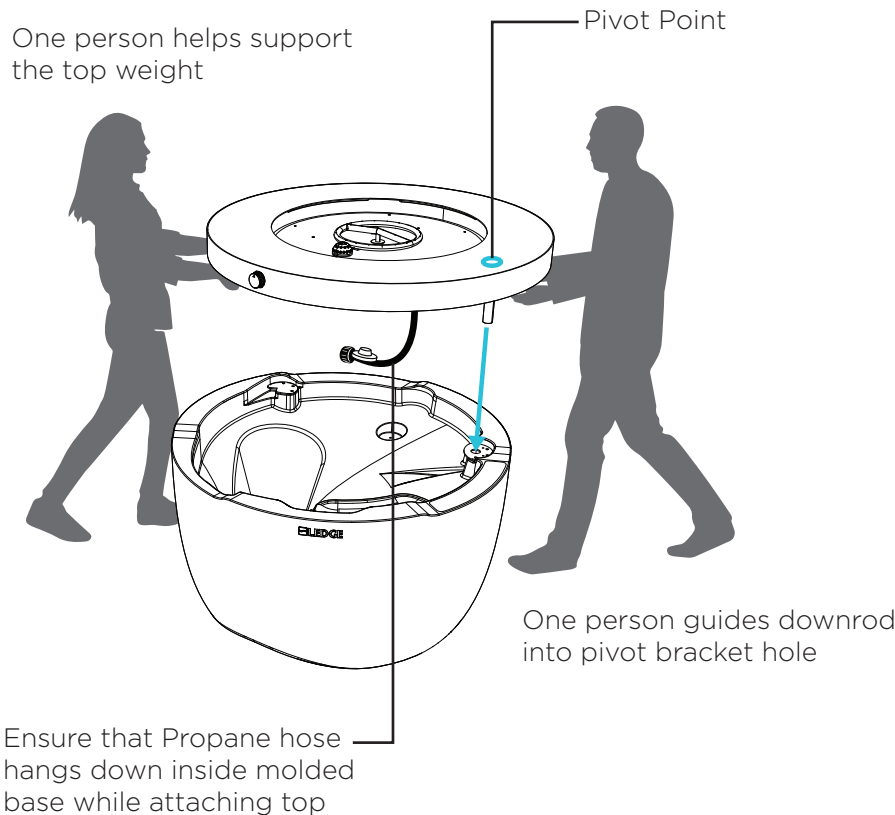
WARNING: Do not set up the Firepit in water or in deep sand. The bottom of the firepit must be unobstructed to allow any excess propane gas to drain.

- Ensure base is drained if temperatures are regularly below freezing

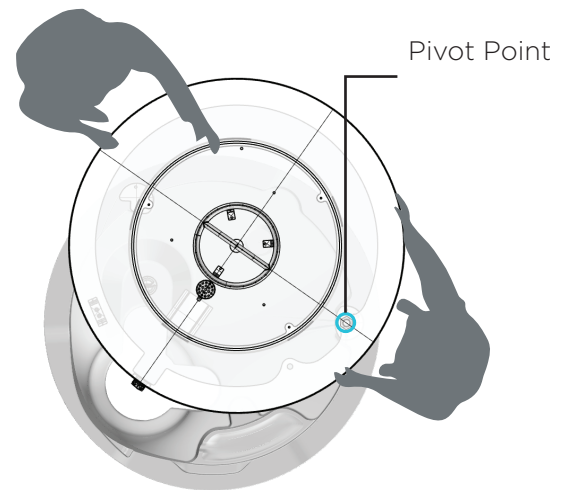
STEP 8

Using two people to lift, place the top assembly on top of the Molded base as shown below.

- Insert the downrod into the pivot plate hole.
- For best results, align the top off-center, as shown in the top view below



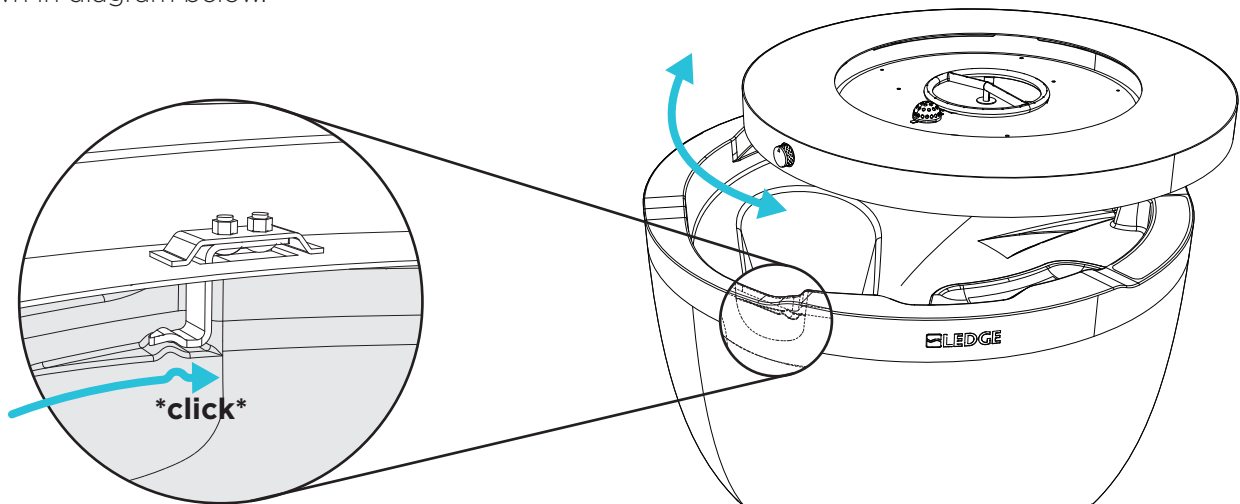
Top View - correct orientation for installation



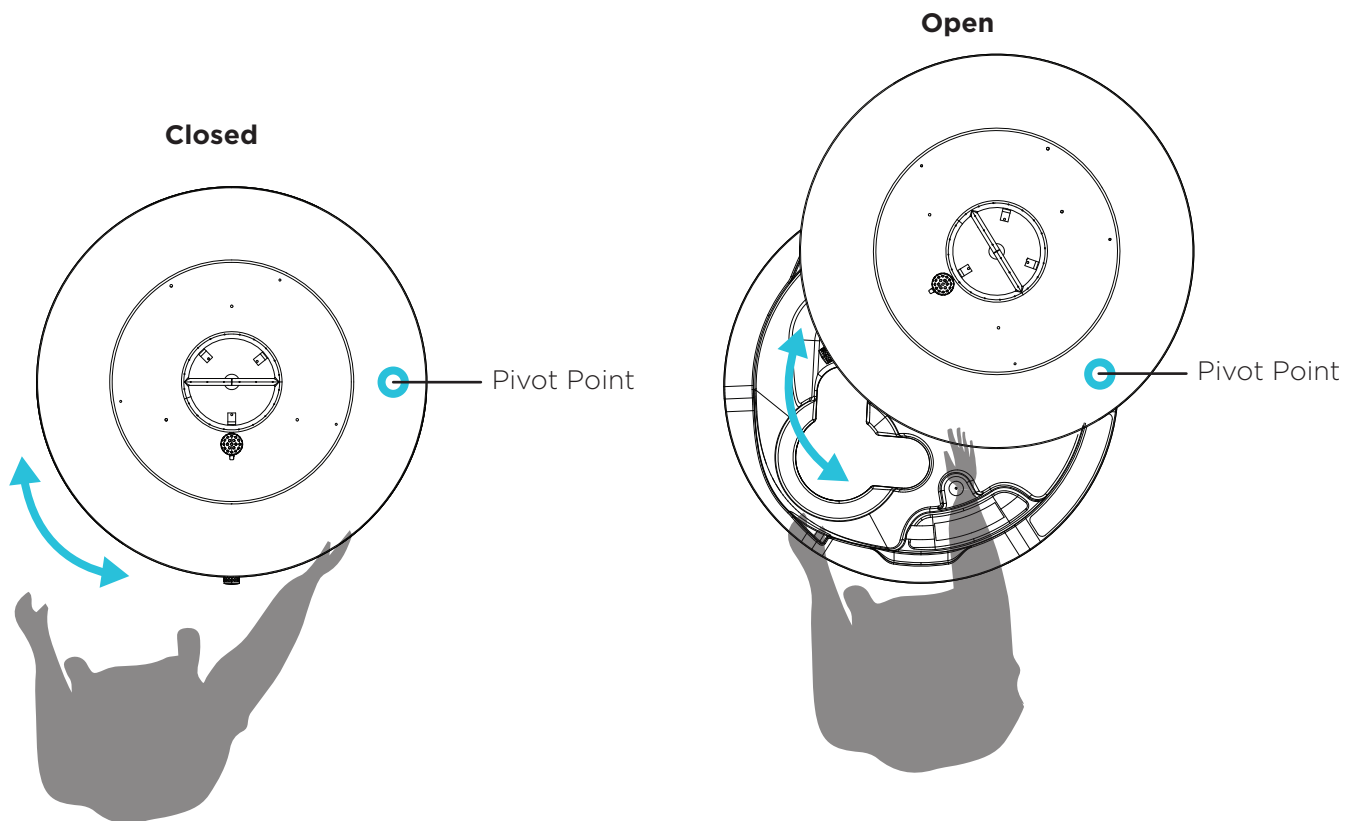
Caution: Watch your fingers

STEP 8

Once the downrod has been inserted into the pivot plate, the top assembly will pivot open and closed freely. To secure top in closed position, make sure locking bracket is engaged snugly with the molded base, as shown in diagram below.

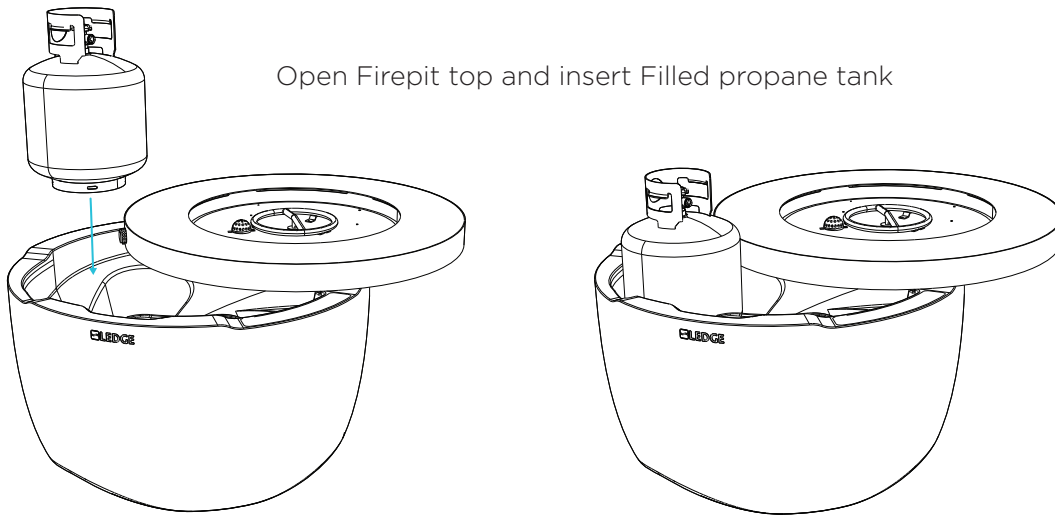


Make sure locking bracket *clicks* into place to secure top closed.

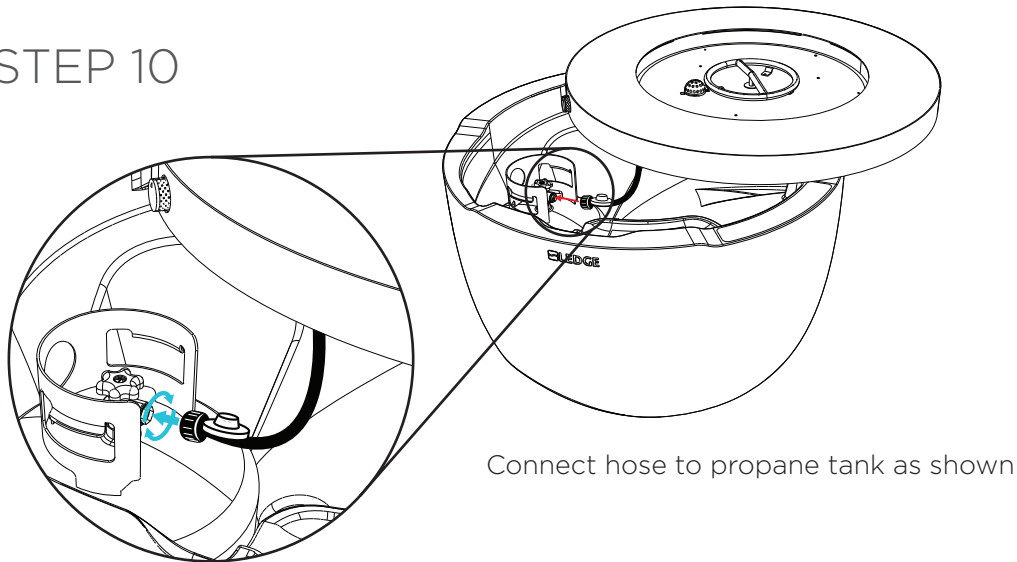


STEP 9

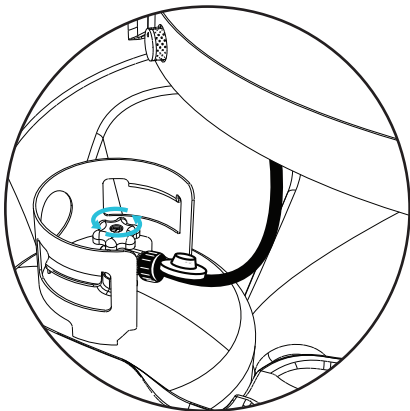
Open Firepit top and insert Filled propane tank



STEP 10

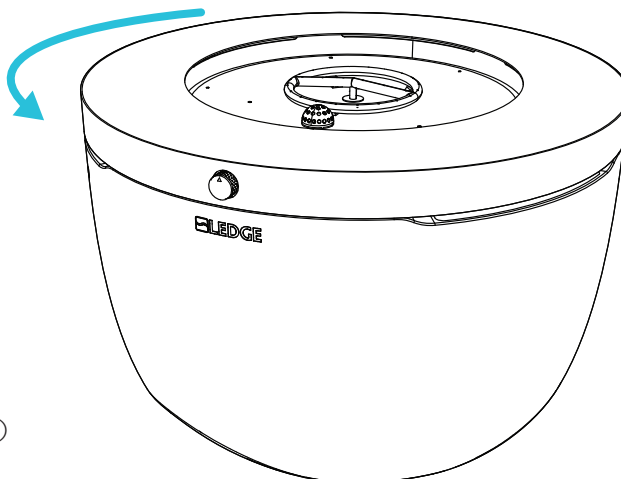


Connect hose to propane tank as shown



When ready to use, turn valve on top of propane tank to "OPEN" position

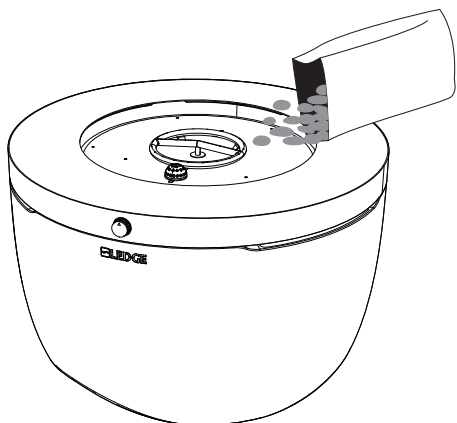
Once the propane tank is connected and the valve has been opened, close the lid of the firepit



WARNING: Watch your fingers and hanging objects (Hair, necklaces, etc.) when pivoting top!

STEP 10

Add Rock Media to Burner pan



Spread media evenly across burner pan -
Do not completely cover the burner

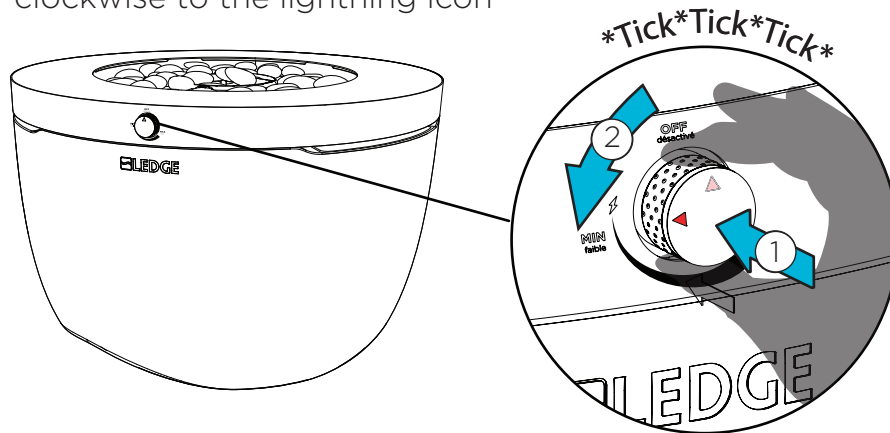


Your Fire Pit is ready to light!

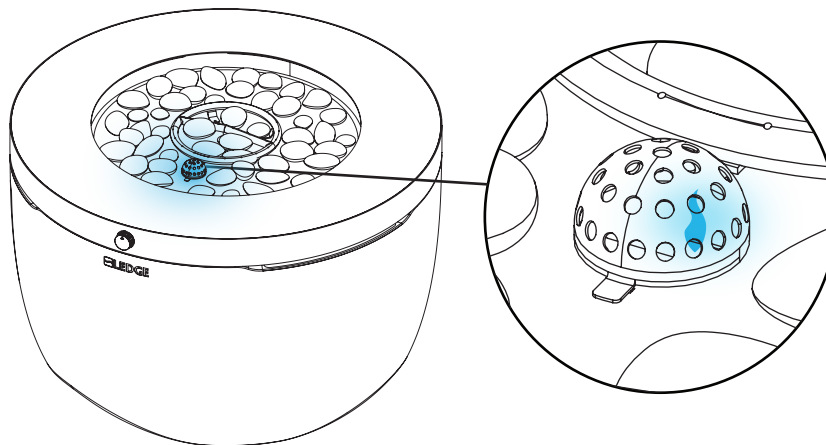
Lighting Instructions

STEP 1

Push the control knob in, a ticking sound will occur. Continue depressing the control knob, and turn counter clockwise to the lightning icon

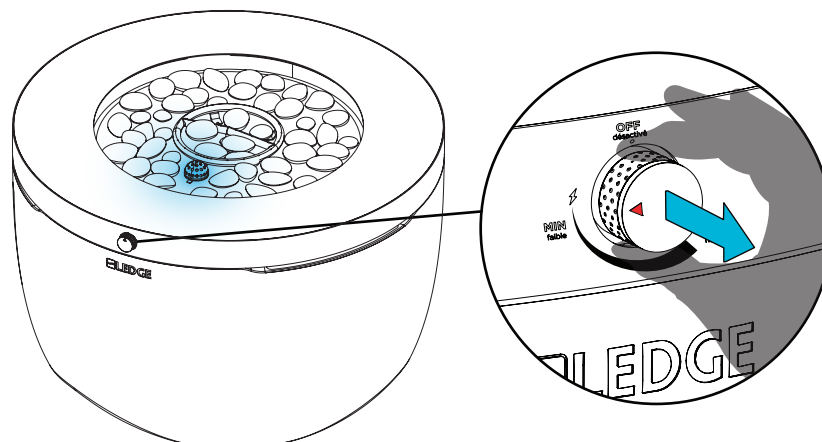


A small blue flame will ignite in the Flame Sense Shutoff System Dome. If pilot fails to light, continue to hold this depressed position for up to 45 seconds to allow gas to reach the burner.



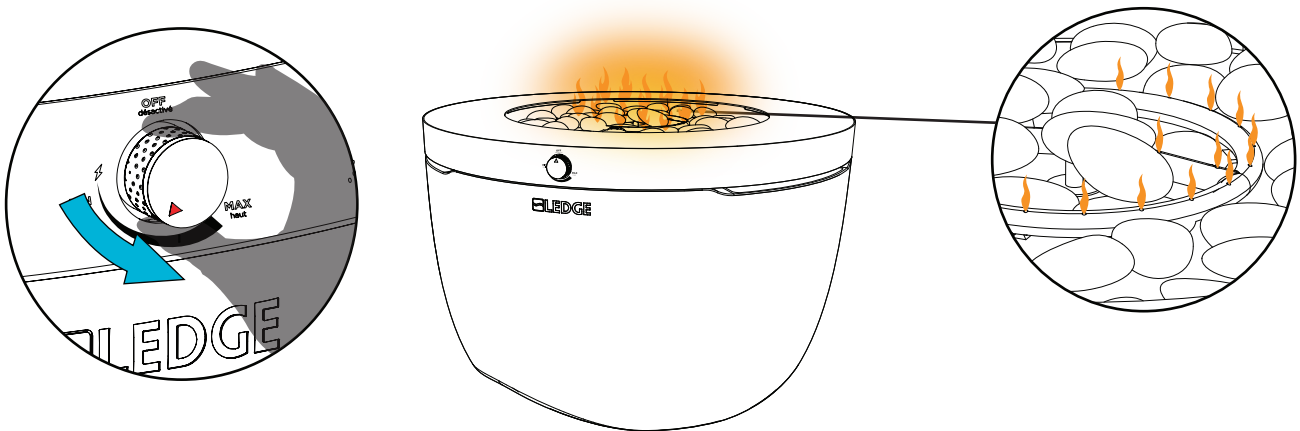
STEP 2

Release the knob once pilot is lit.



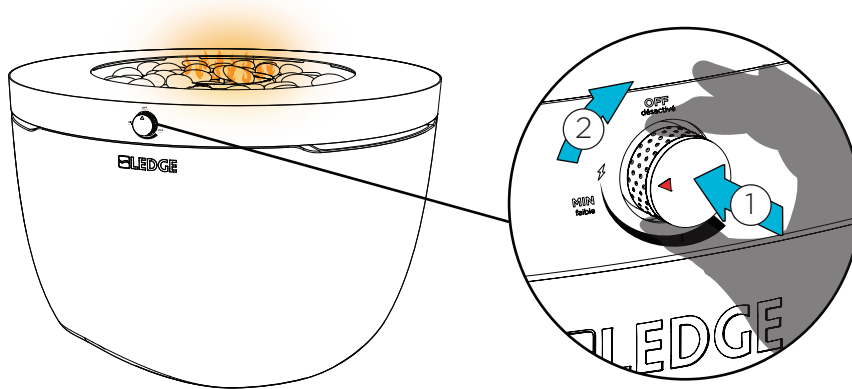
STEP 3

Turn the control knob counter clockwise to ignite the burner and adjust flame height.



Shut-Off Instructions

Push the control knob in and turn to the OFF position.



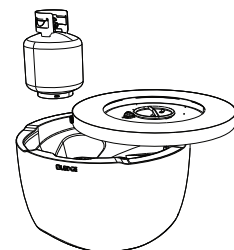
NOTE:

- Wait 1 minute for the flame to fully deplete
- Always turn off propane tank when not in use
- Avoid covering or touching the metal surface for 20 minutes after initial shut off.

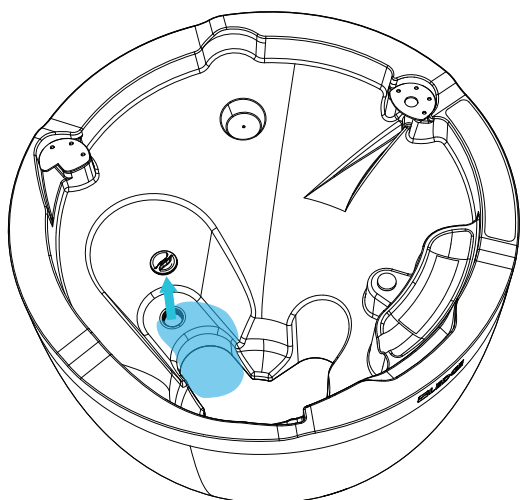
Refilling/Replacing an LP Tank

Removal of the LP Tank

Open Firepit Top.
Confirm that the tank valve is fully closed. Close by turning valve clockwise.
Unscrew regulator coupling by turning counterclockwise by hand.
Lift tank out of Firepit Body.
Replace with filled LP Tank.
Close Firepit Top.

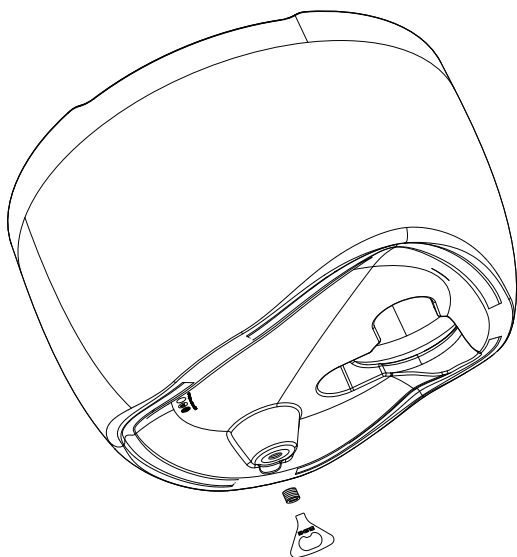


Draining/Transportation



In order to move the firepit after it has been set up, it must be drained first

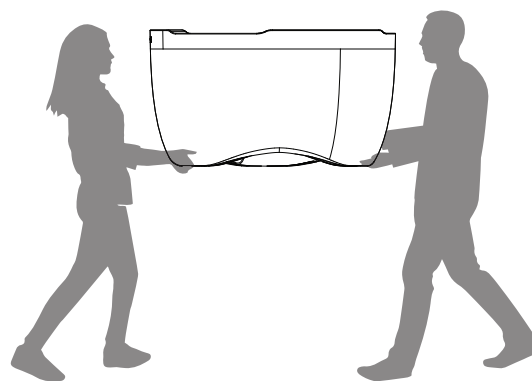
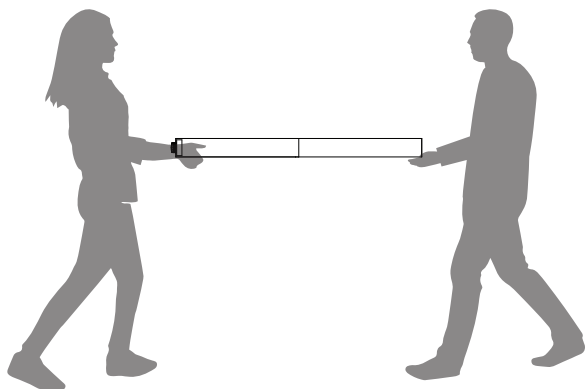
Remove Drain Plug #1 from the bottom of the molded base as shown. Water will start escaping. Let the molded base drain until no more water is coming out.



To drain the remaining water, lift the molded base and remove the spinwelded drain plug from the bottom using a screwdriver or the included spinweld key.

You may need to tilt molded base until all water has been drained

- Using two people to carry each part individually, move Firepit parts to their to new location (Outside patio, Balcony, etc.)



Troubleshooting

Problem: Firepit won't light.

- Burner does not ignite when following the electronic ignition instructions in the “Operation” section of this owner’s manual.

Cause

There is a problem with gas flow

Solution

If the burner does not ignite, the first step is to determine if there is gas flowing to the burner. To check this, follow the instructions below for “Lighting Your Firepit with a Match.”
If match lighting IS NOT successful, follow the “GAS FLOW” troubleshooting suggestions on the next page.

There is a problem with the electronic ignition system.

If any burner does not ignite, the first step is to determine if there is gas flowing to the burner. To check this, follow the instructions below for “Lighting Your Firepit with a Match.”
If match lighting IS successful, follow the instructions for “Checking the Components of the Electronic Ignition System.”

There is a problem with the LP Tank

If you unscrew the LP Tank connector and don't hear a slight hiss of gas escaping, you may have a faulty tank. Exchange the tank at your local propane distributor.
Only try this after you have tried everything else, as defects in propane tanks are rare.

Lighting Your Firepit with a Match

Using a Match to Determine if there is Gas Flow to the Main Burners

1. Make sure that the burner control knob is in the off position. Check by pushing in and turning knob clockwise.
2. Turn the LP tank on by slowly turning the tank valve counterclockwise; wait 60 seconds. Note: It is important that the LP tank is turned on slowly. If it is opened too quickly, the flow limiting device built into the regulator will activate, limiting the flow of gas from the LP tank.
3. Strike match and hold lit match close to the burner.
4. Push the burner control knob in and slowly turn it counterclockwise toward the start/high position.
5. Burner should light
6. If the burner does not ignite within 4 seconds, turn burner control knob to the off position and wait five minutes to allow the gas to clear before attempting to light the burner again. If repeated attempts fail, follow the gas flow troubleshooting instructions on the next page.
7. If the burner ignites, the problem lies in the ignition system. Follow the instructions for “Checking the Components of the Electronic Ignition System”.

Checking the Components of the Electronic Ignition System

When pressing the ignition button you should hear a ticking sound.

If you cannot hear the ticking sound, check the battery, then check the wires.

Make sure the Flame Sense Shutoff System unit is completely dry.

Checking the Battery

There are three potential issues with the battery that supplies the power to your ignition module that need to be checked:

1. Some batteries have a plastic protective wrap around them. (Do not confuse this plastic with the battery label.) Check that this plastic wrap is removed.
2. Confirm that the battery is installed correctly.
3. If the battery is old, replace it with a new battery.

Checking the Wires

There are two potential trouble spots that need to be checked:

1. Check that the ignition wires are connected securely to the terminals on the Ignition box on the outer edge inside the top assembly
2. Make sure the ignition wires are properly attached to the ignition module under the burner pan. The wire terminals are color coded to correspond with the terminals on the ignition module.

Problem: Gas Flow is restricted

- Firepit flames are not consistent/ erratic
- Firepit won't stay lit
- Flames don't run the whole length of the burner.

Cause

The LP tank is low or empty

The fuel hose is bent or kinked

The burner ports are dirty

F/P Mixer is dirty or obstructed

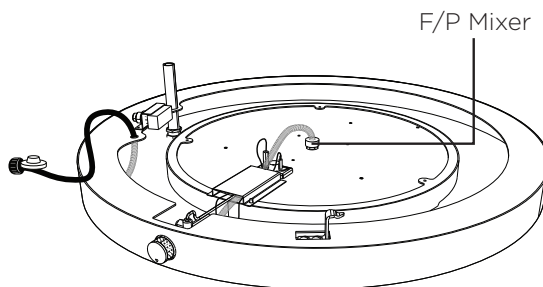
Solution

Refill/Replace LP tank

Straighten fuel hose

Clean burner ports. Refer to "Cleaning and Maintenance" section of this manual.

Clean area around F/P Mixer with a toothbrush. Make sure to get inside the air inlet holes.



CONTACT US

Our customer service team is happy to help with any questions regarding assembly or usage

customerservice@ledgeloungers.com

North America

- +1 888.749.5336
- 8 am - 6pm CT Monday - Friday, 12 am - 5pm Saturday

International

- +1 281.971.4470



ASSEMBLY GUIDE FOR Ledge® Mainstay Ultimate Adirondack



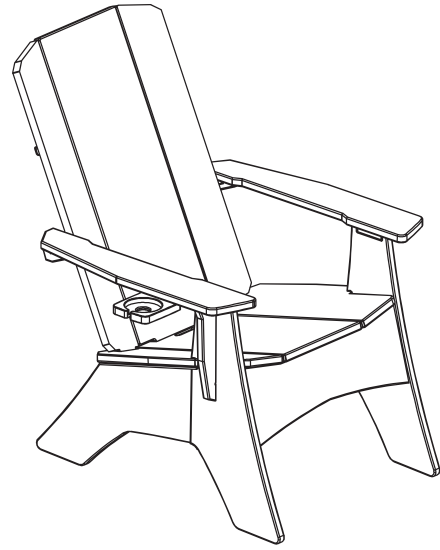
For a PDF version of these instructions, please scan the QR code.



Para instrucciones en español, por favor escanea este código QR.



Pour des instructions en français, veuillez scanner ce code QR.

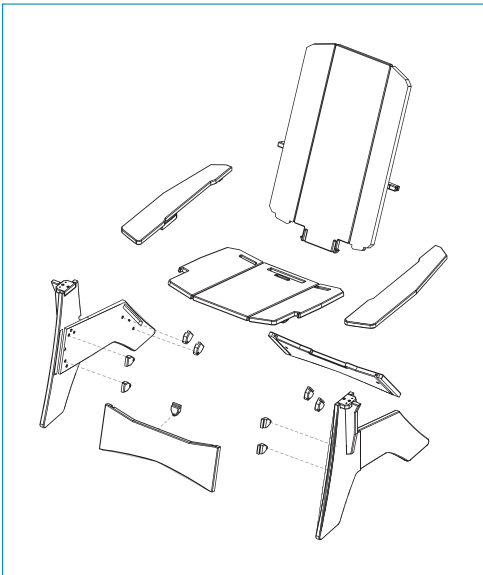


IMPORTANT NOTE

CAREFULLY READ ALL INSTRUCTIONS BEFORE STARTING. CRITICAL STEPS MIGHT BE MISSED RESULTING IN UNSUCCESSFUL ASSEMBLY OR DAMAGE TO THE PRODUCT.

WE RECOMMEND ASSEMBLING OVER A SOFT SURFACE SUCH AS A RUG OR CARPET TO AVOID SCRATCHES.

CONTENTS

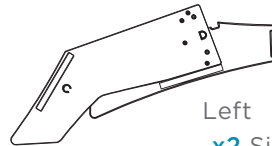


Left



Right

x2 Armrest

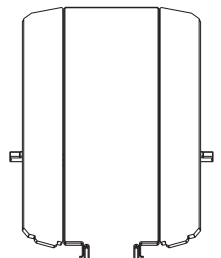


Left

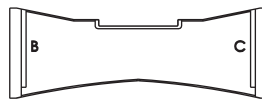


Right

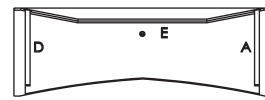
x2 Side Panel



x1 Backrest

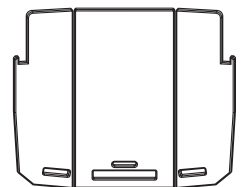


Front

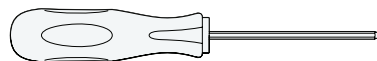


Back

x2 Base Panel



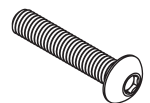
x1 Seat



Hex Screwdriver



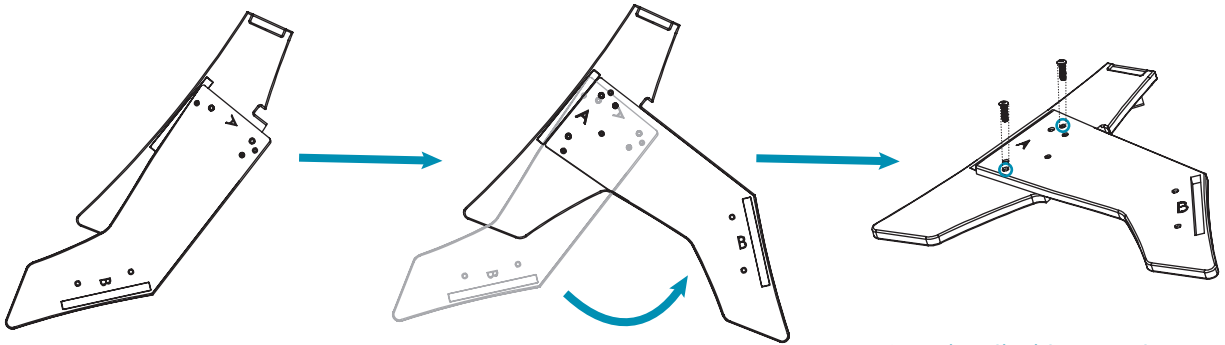
x9 Key



x19 Screw

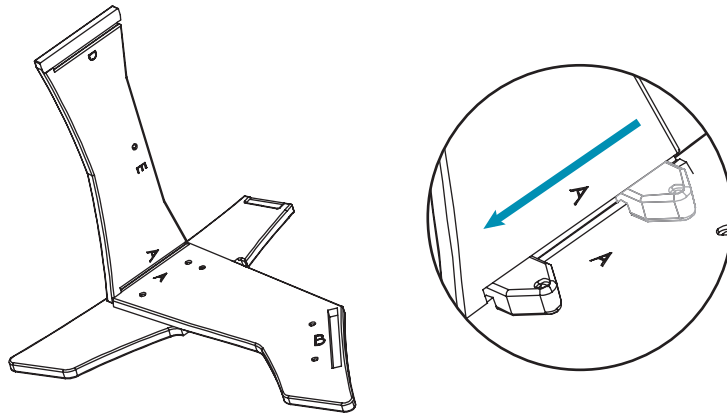
ASSEMBLY

STEP 1: On each side panel, hinge the leg 90 degrees, and secure with two screws as shown in the graphic. Then, tighten the hinge screw.

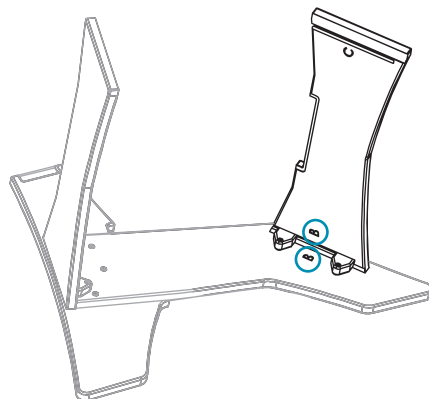


See detailed instructions on page 3.

STEP 2: Insert side A of the front panel into slot A on the right side panel. Then slide two keys into place and secure with a screw. There will be some flex until the base is fully assembled.



STEP 3: Insert side B of the back panel into slot B on the right side panel. Then slide two keys into place and secure with a screw.

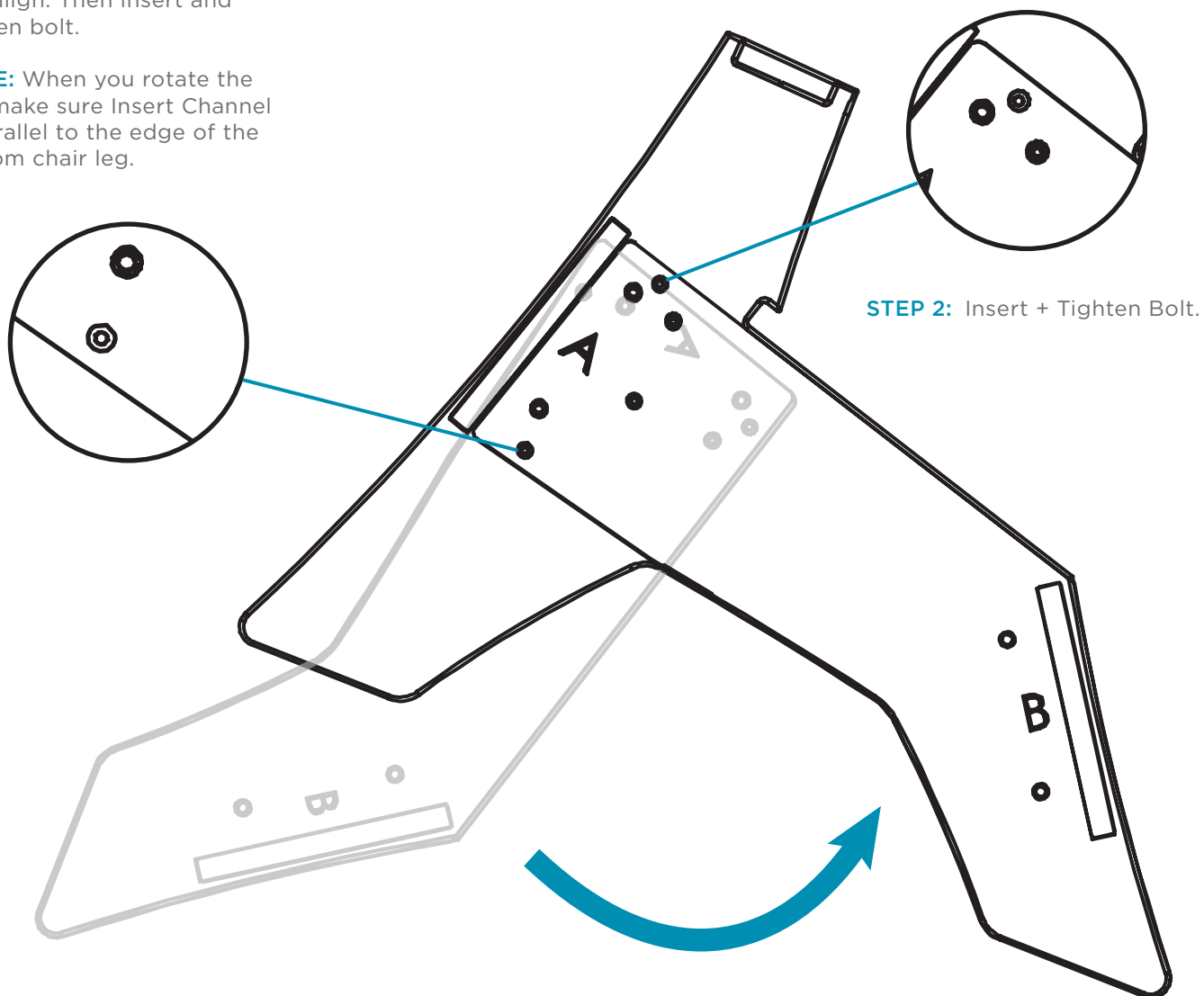


ENHANCED VIEW OF BOLT INSERTION POINTS

Use the included hex screwdriver to assist with locating and aligning the first bolt with the threaded insert in the bottom holes.

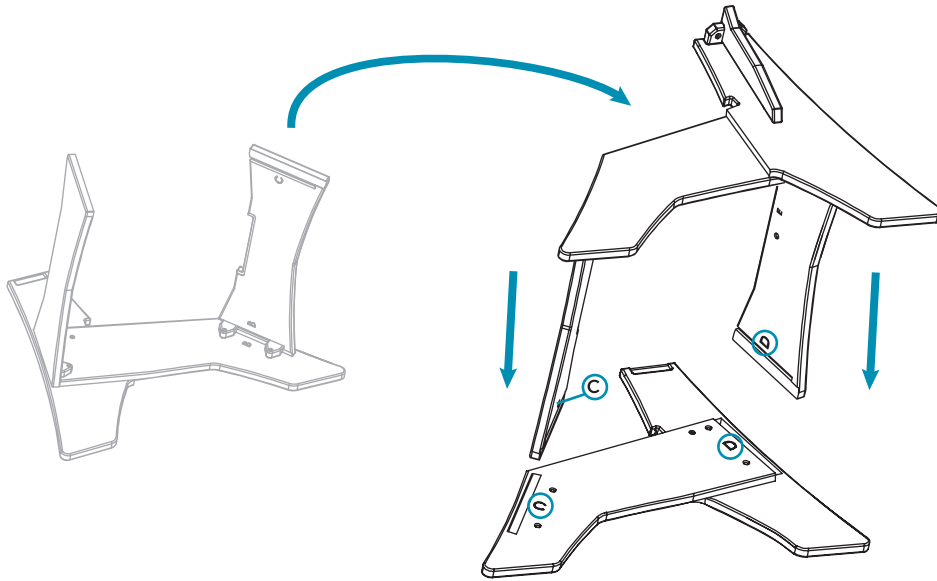
STEP 1: Gently insert hex screwdriver into hole. Slide and align. Then insert and tighten bolt.

NOTE: When you rotate the leg, make sure Insert Channel is parallel to the edge of the bottom chair leg.

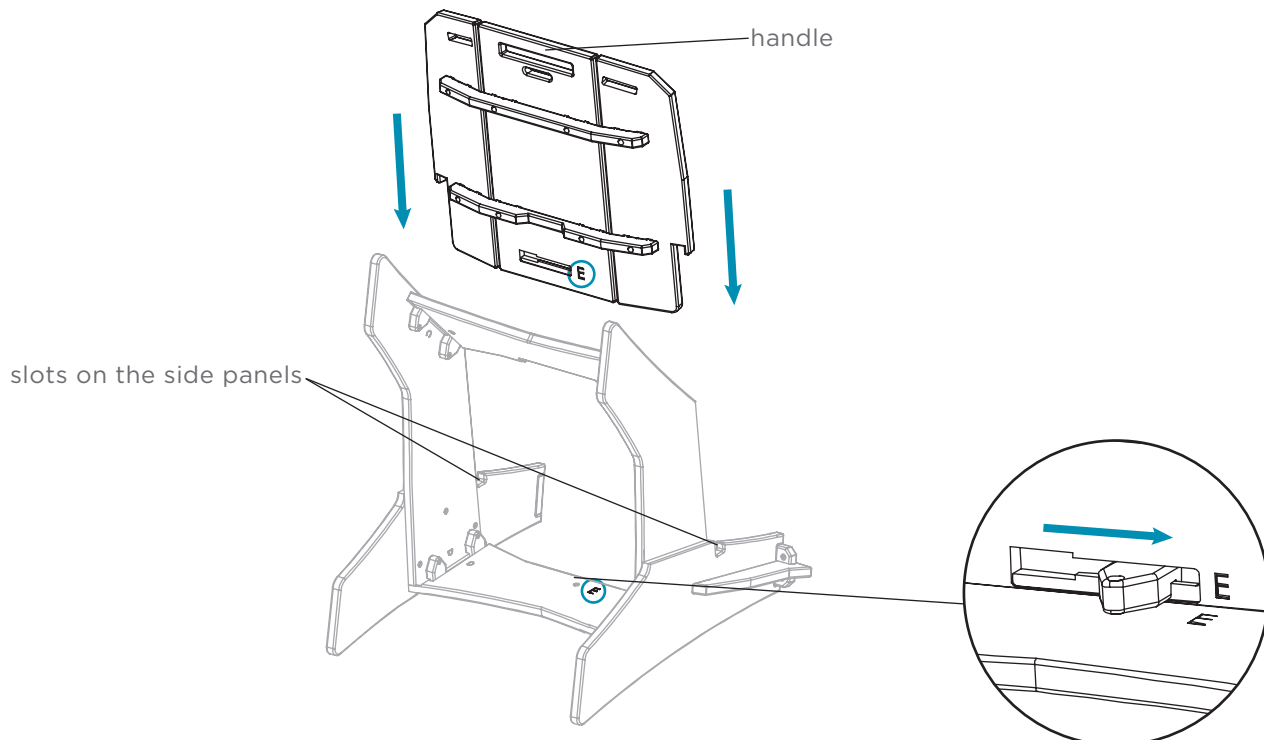


ASSEMBLY

STEP 4: Lift the assembled parts and slot onto the left side panel (C/D), making sure slots C and D match up. Then, secure with two keys as done on steps two and three.

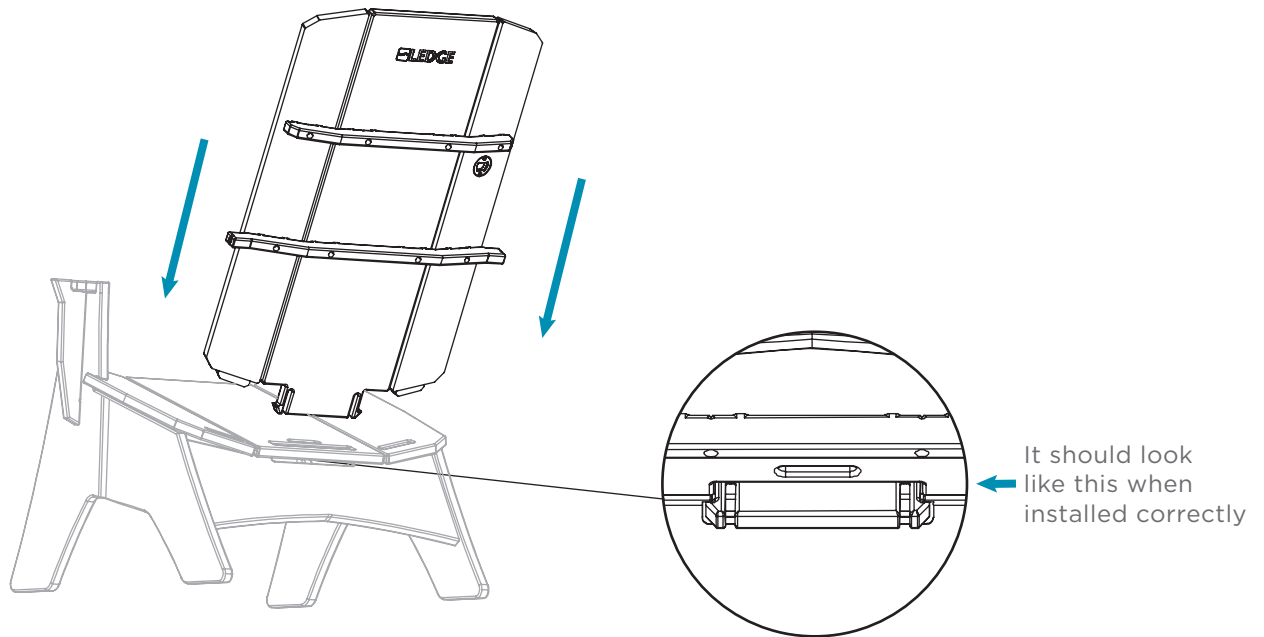


STEP 5: Lay the assembly on the ground with the back panel showing the letter E facing up. Grab the seat by the handle and lower it onto the slots on the side panels. Then, insert a key into slot E located on the underside of the seat, slide the key to the right, and screw it in place.

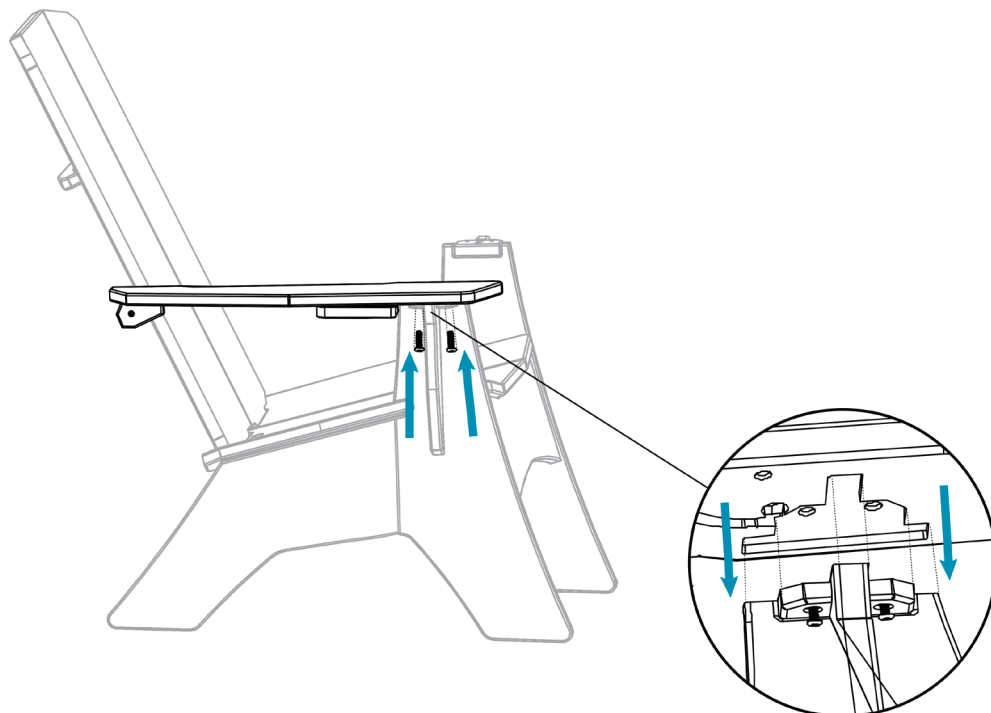


ASSEMBLY

STEP 6: Slot the back rest into place.



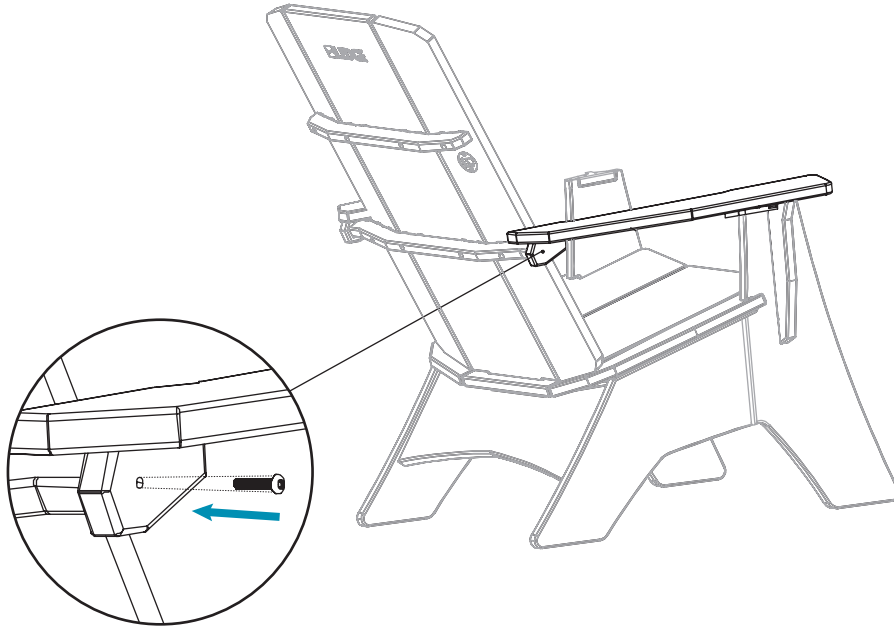
STEP 7: Attach the armrest by inserting the front 2 screws.



ASSEMBLY

STEP 8: Insert screw into the back of the arm rest and align it with the back rest. You may need to adjust the back rest angle to accommodate screw alignment. Fully tighten the back screw.

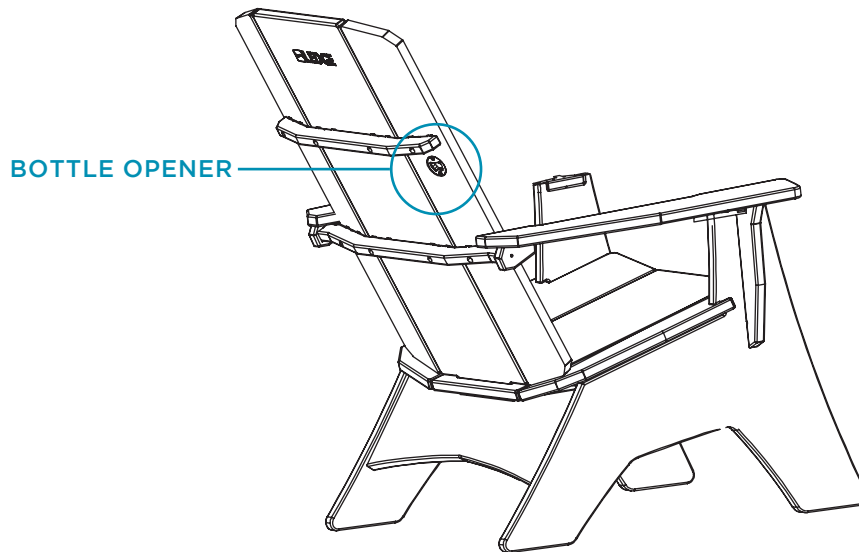
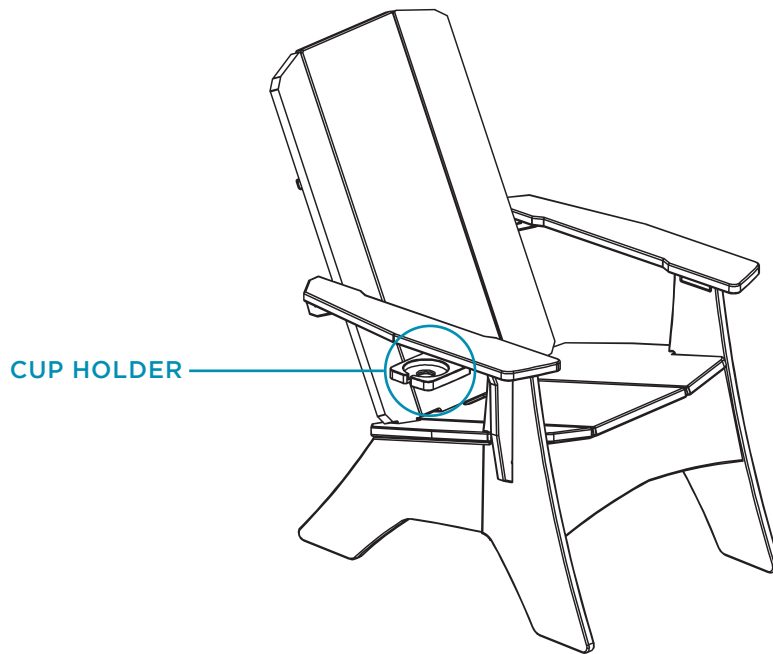
Repeat steps 7 and 8 on the other side.



CLEANING AND CARE

- For routine cleaning, use water and a gentle washcloth or microfiber towel.
- For deep cleaning, use water, mild detergent and a soft-bristle brush.
- If power washing is desired, start with a low PSI at least 3ft away from the furniture. While power washing, check often to ensure no inscription is being made on the furniture.

PARTY TRICK



SHARE YOUR MEANINGFUL MOMENTS WITH US

#LEDGELIFE