



# ASSEMBLY GUIDE FOR Ledge<sup>®</sup> Haven<sup>™</sup> Hightop Armchair



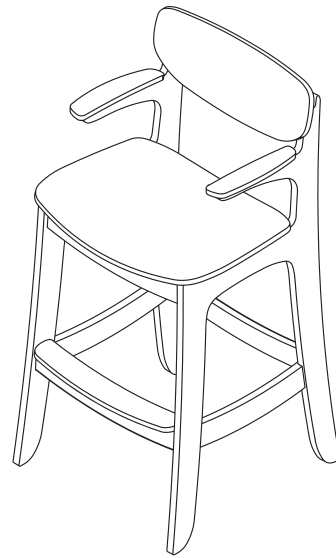
For a PDF version of these instructions, please scan the QR code.



Para instrucciones en español, por favor escanea este código QR.



Pour des instructions en français, veuillez scanner ce code QR.

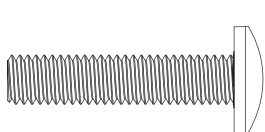
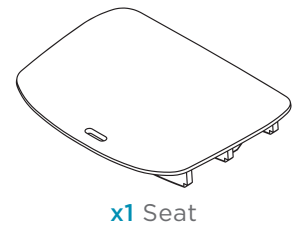
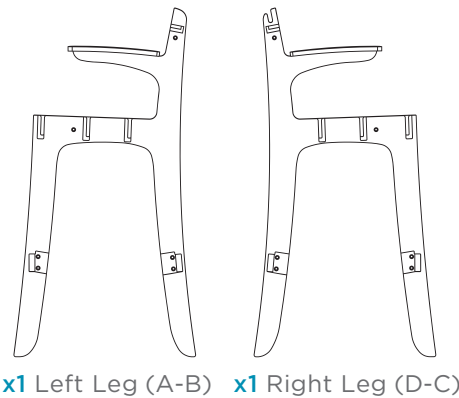
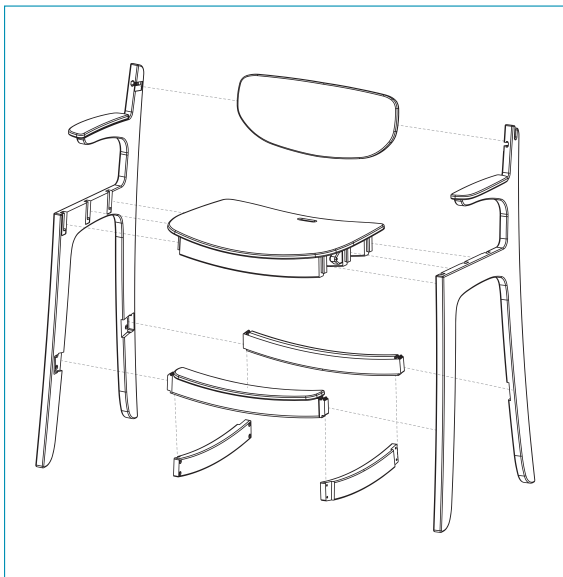


## IMPORTANT NOTE

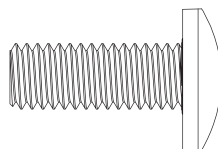
**CAREFULLY READ ALL INSTRUCTIONS BEFORE STARTING. CRITICAL STEPS MIGHT BE MISSED RESULTING IN UNSUCCESSFUL ASSEMBLY OR DAMAGE TO THE PRODUCT.**

**WE RECOMMEND ASSEMBLING OVER A SOFT SURFACE SUCH AS A RUG OR CARPET TO AVOID SCRATCHES.**

## CONTENTS



x11 1" Screw



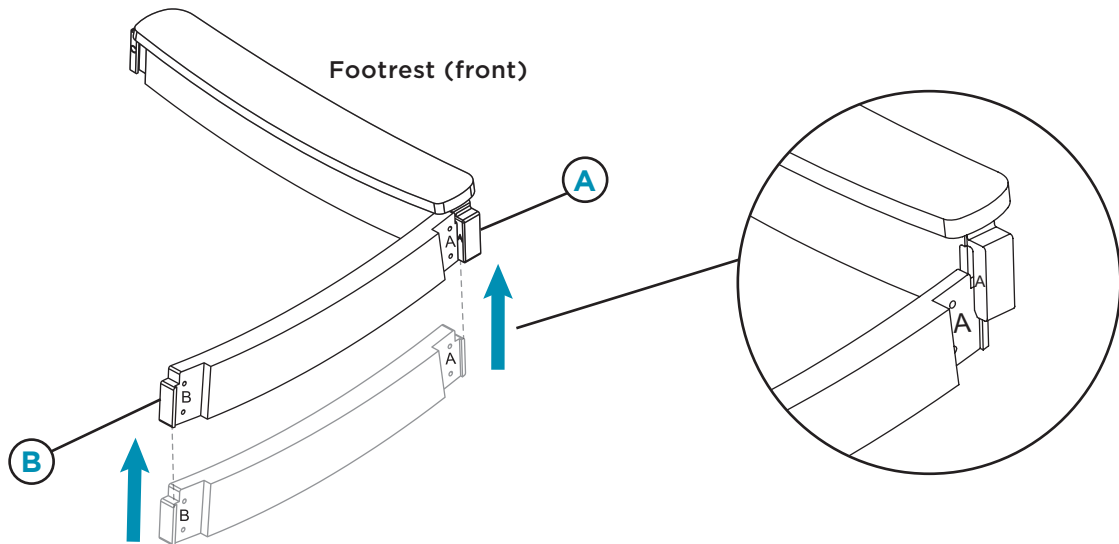
x3 5/8" Screw



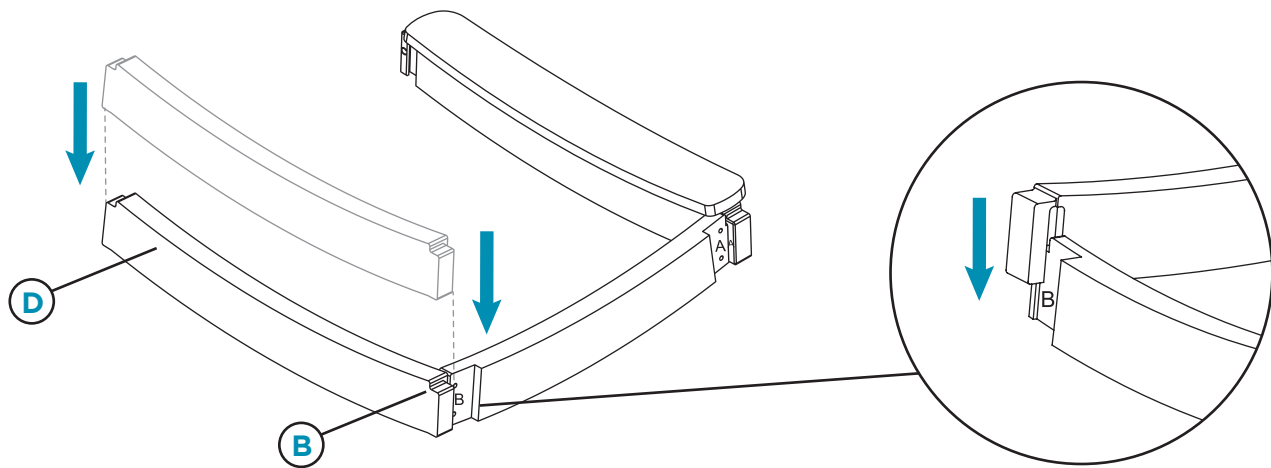
1/8" Hex Screwdriver

# ASSEMBLY

**STEP 1:** Slide side "A" of the left leg brace (B-A) into side "A" of the footrest as shown in the graphic.

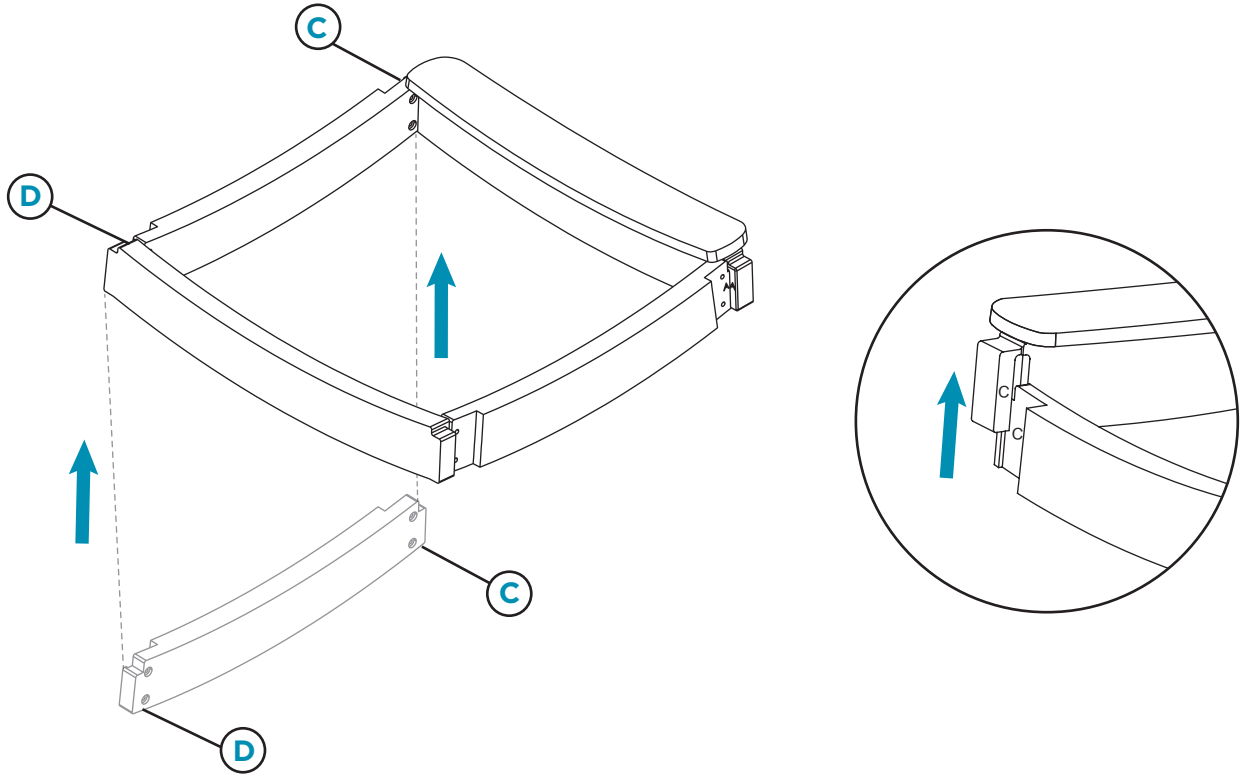


**STEP 2:** Slide side "B" of the rear leg brace (D-B) into side "B" of the left leg brace (B-A) as shown in the graphic.

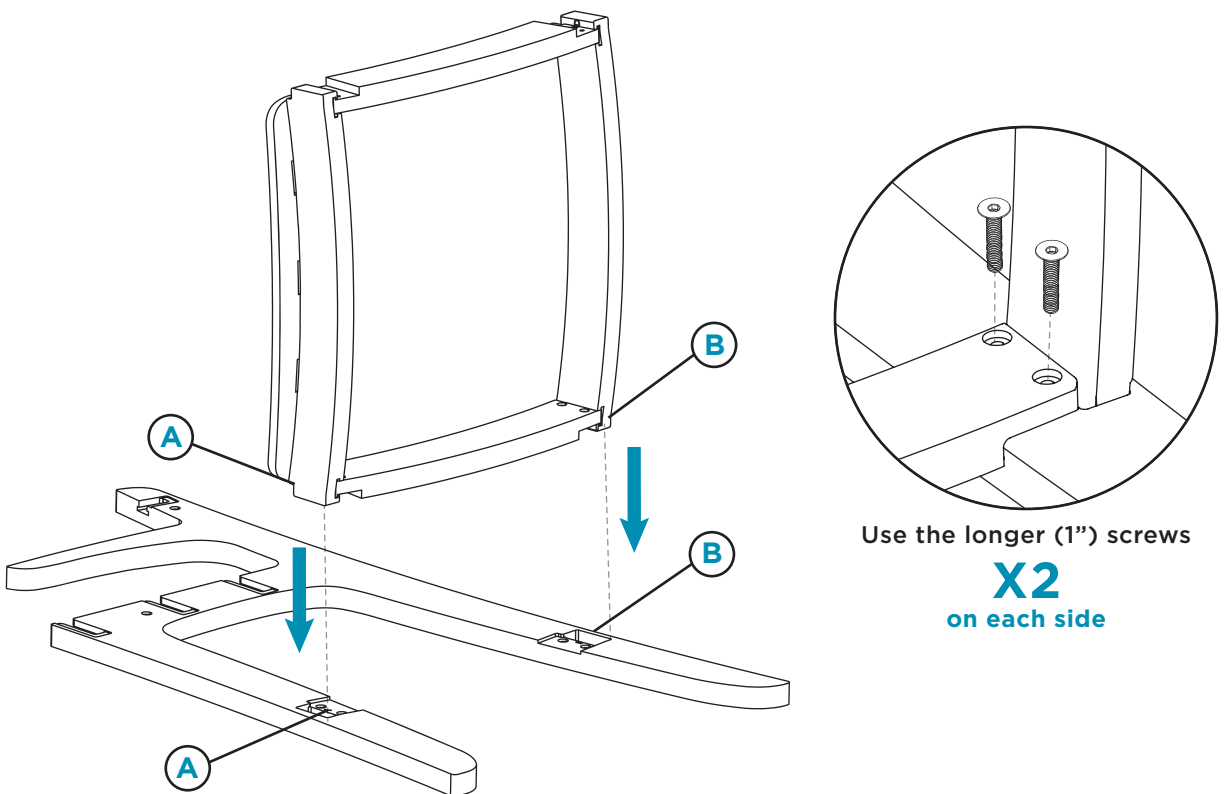


# ASSEMBLY

**STEP 3:** Slide the right leg brace (D-C) into the footrest and rear leg brace, matching letters labeled as shown.

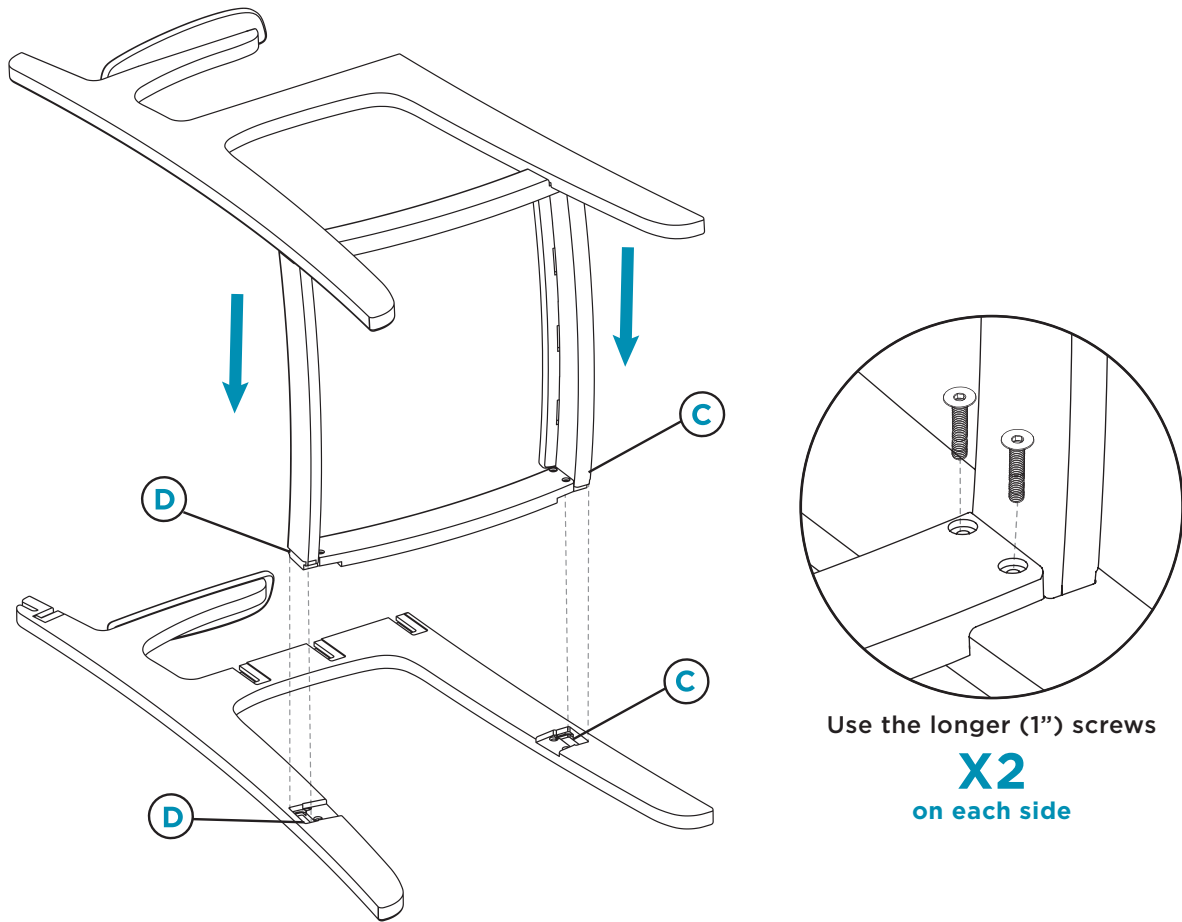


**STEP 4:** Place left leg on a soft surface. Place assembled parts into the corresponding leg slots, matching the letters. Rock the assembled parts back and forth into the slots to ensure the piece is fully inserted. Then, secure with two 1" screws on each side.



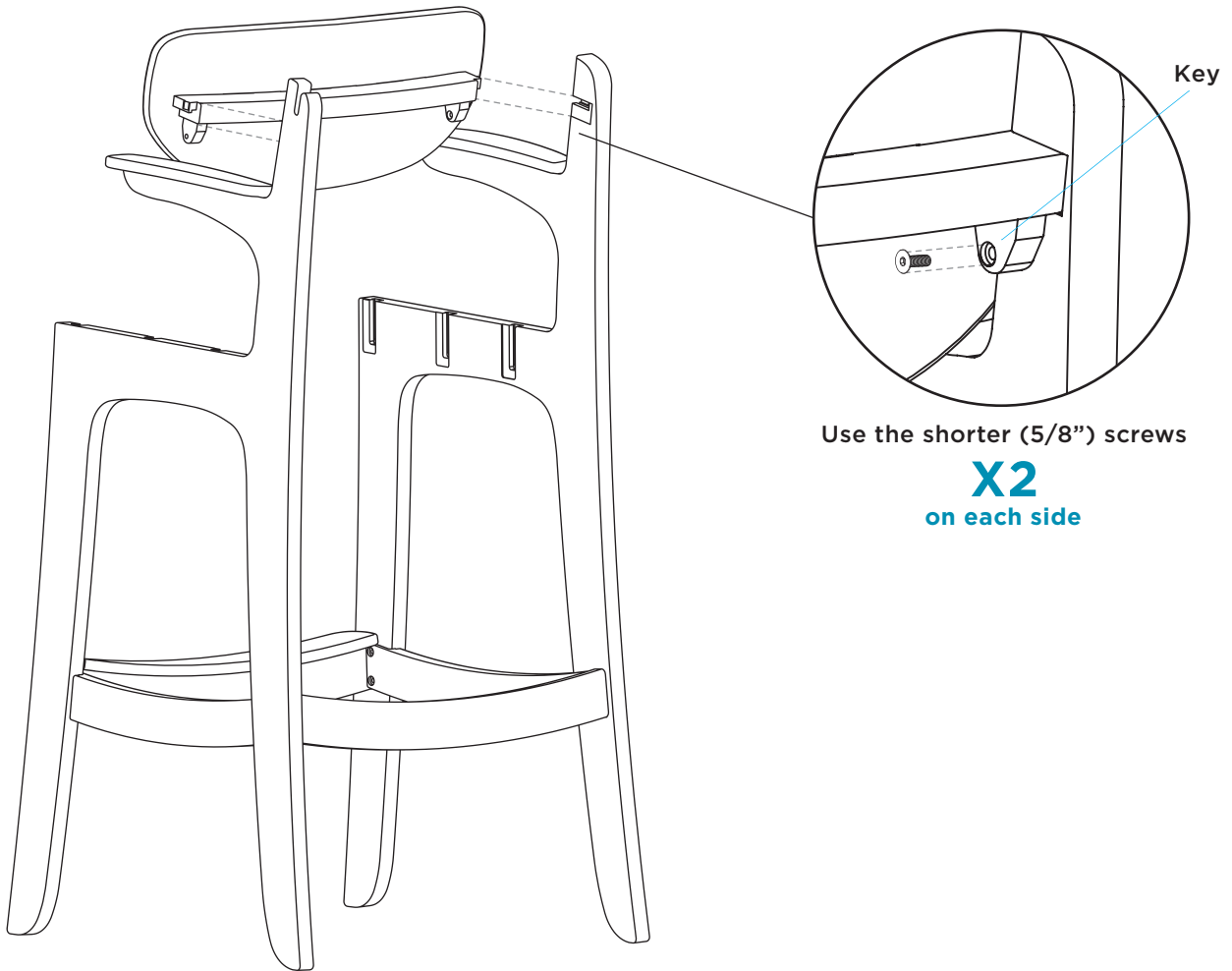
# ASSEMBLY

**STEP 5:** Lift the assembled parts and place onto the right leg. Rock the assembled parts back and forth into the slot to ensure the piece is fully inserted. Then, secure with two 1" screws on each side.



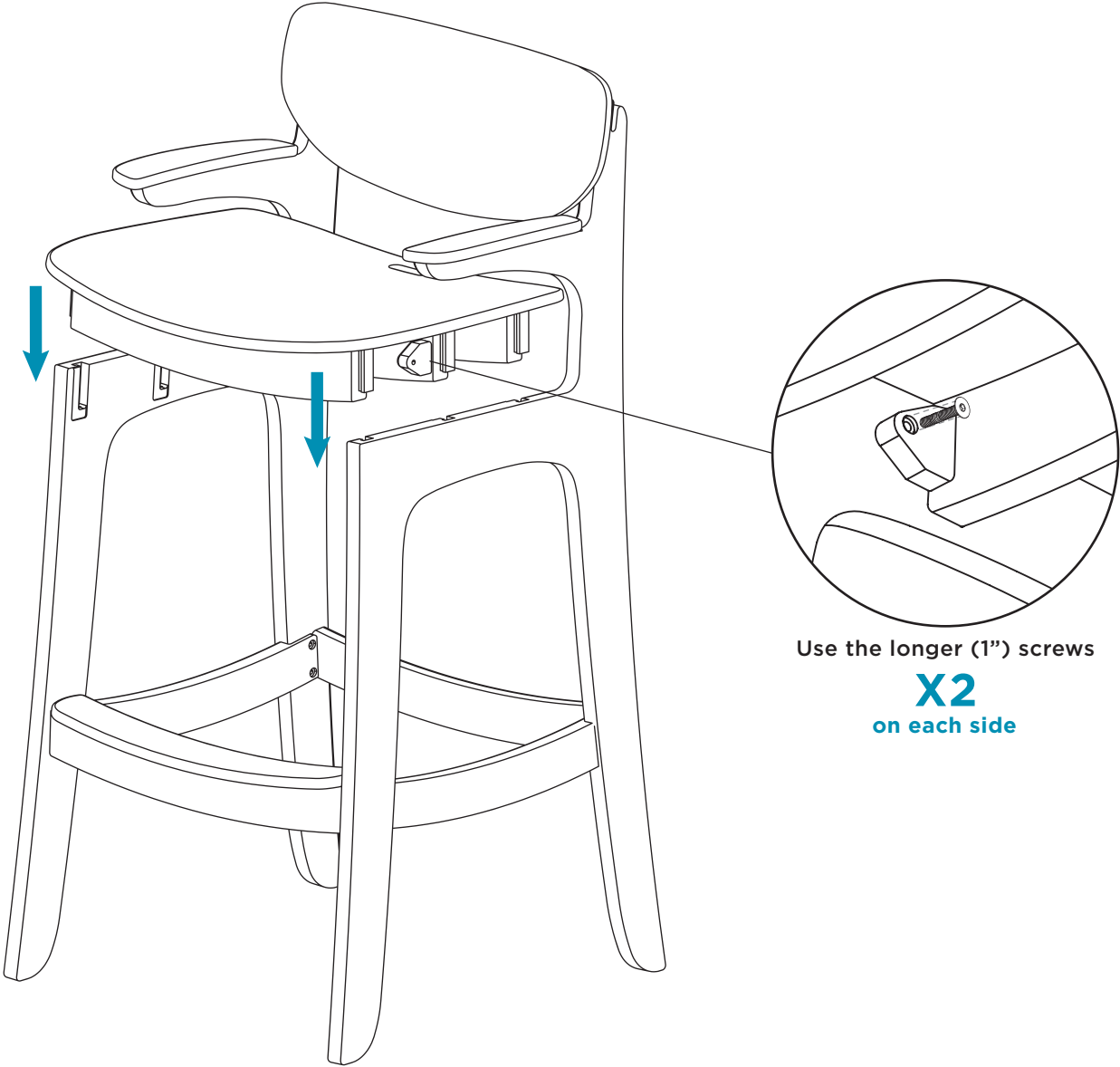
# ASSEMBLY

**STEP 6:** Insert the back rest into the legs with the keys facing down. Then, secure with one 5/8" screw on each side.



# ASSEMBLY

**STEP 7:** Insert the seat onto the base and secure the underside of the seat with a 1" screw on each side.



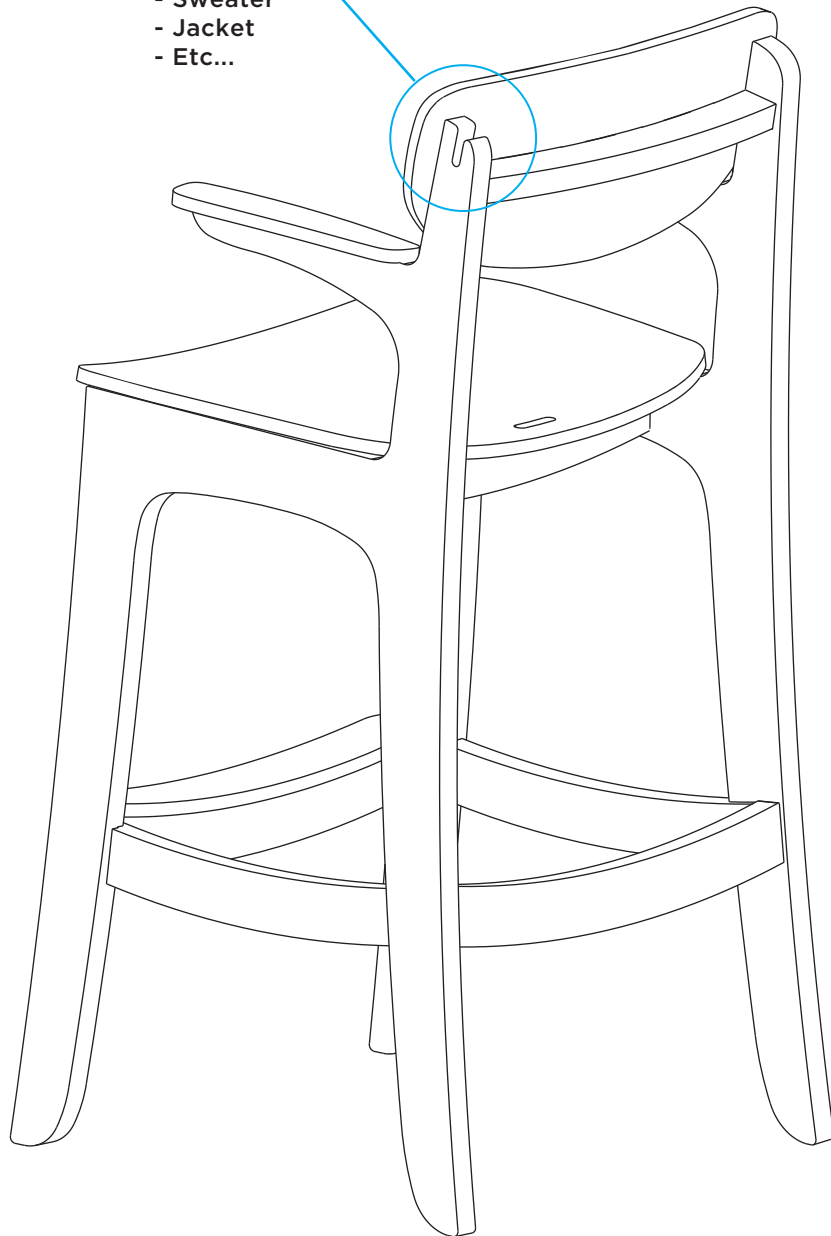
Use the longer (1'') screws  
**X2**  
on each side

## PARTY TRICK

---

### Hook for belongings

- Purse
- Bag
- Towel
- Sweater
- Jacket
- Etc...



SHARE YOUR MEANINGFUL MOMENTS WITH US

**#LEDGELIFE**