



ASSEMBLY GUIDE FOR Ledge[®] Haven[™] Hightop Chair



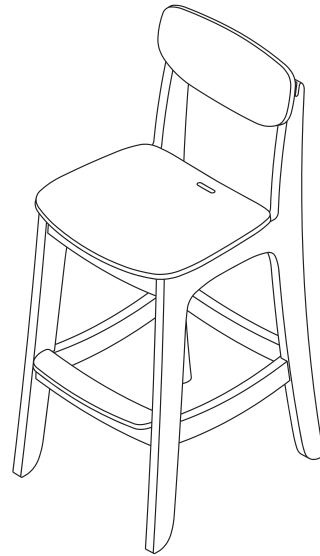
For a PDF version of these instructions, please scan the QR code.



Para instrucciones en español, por favor escanea este código QR.



Pour des instructions en français, veuillez scanner ce code QR.

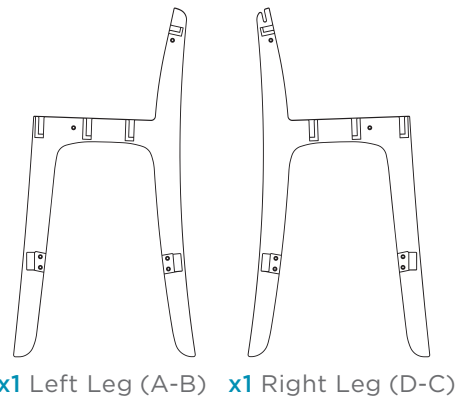


IMPORTANT NOTE

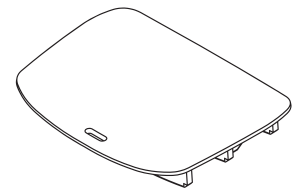
CAREFULLY READ ALL INSTRUCTIONS BEFORE STARTING. CRITICAL STEPS MIGHT BE MISSED RESULTING IN UNSUCCESSFUL ASSEMBLY OR DAMAGE TO THE PRODUCT.

WE RECOMMEND ASSEMBLING OVER A SOFT SURFACE SUCH AS A RUG OR CARPET TO AVOID SCRATCHES.

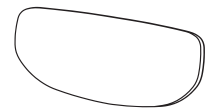
CONTENTS



x1 Left Leg (A-B) x1 Right Leg (D-C)



x1 Seat



x1 Backrest



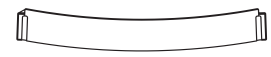
x1 Left Leg Brace (B-A)



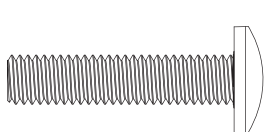
x1 Right Leg Brace (D-C)



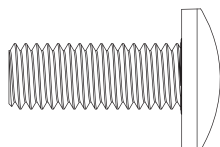
x1 Footrest



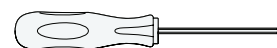
x1 Rear Leg Brace



x11 1" Screw



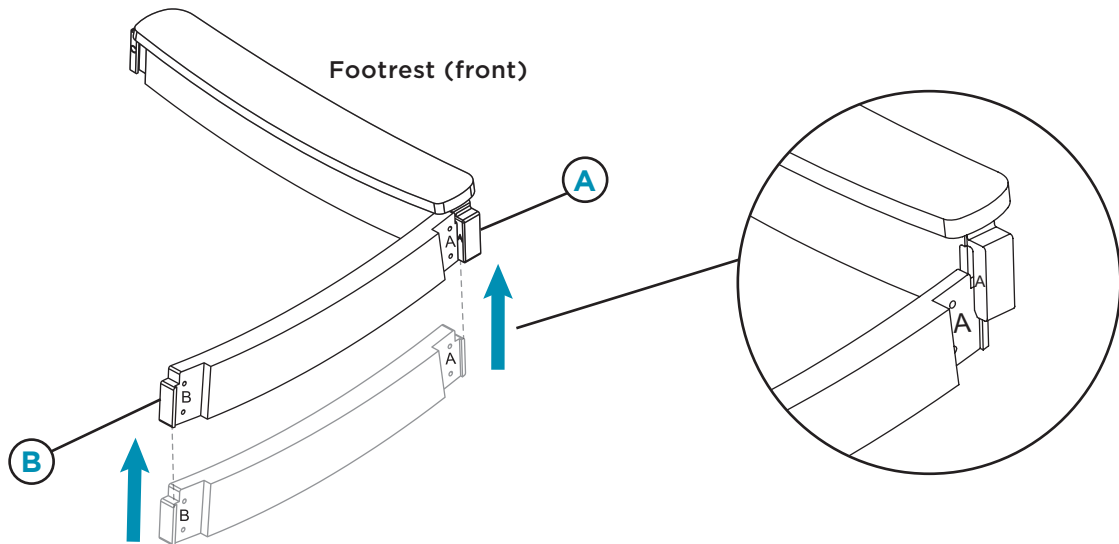
x3 5/8" Screw



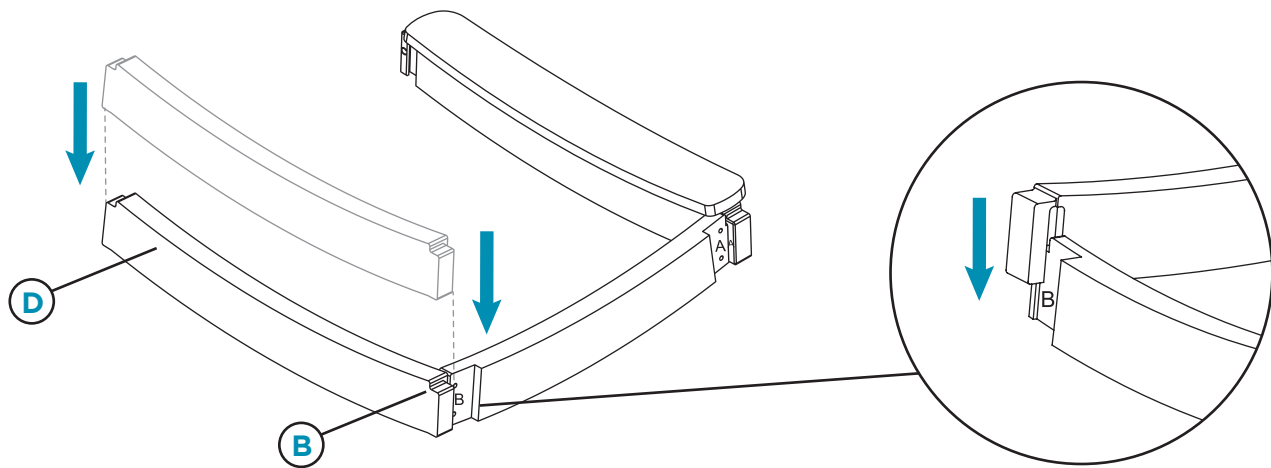
1/8" Hex Screwdriver

ASSEMBLY

STEP 1: Slide side "A" of the left leg brace (B-A) into side "A" of the footrest as shown in the graphic.

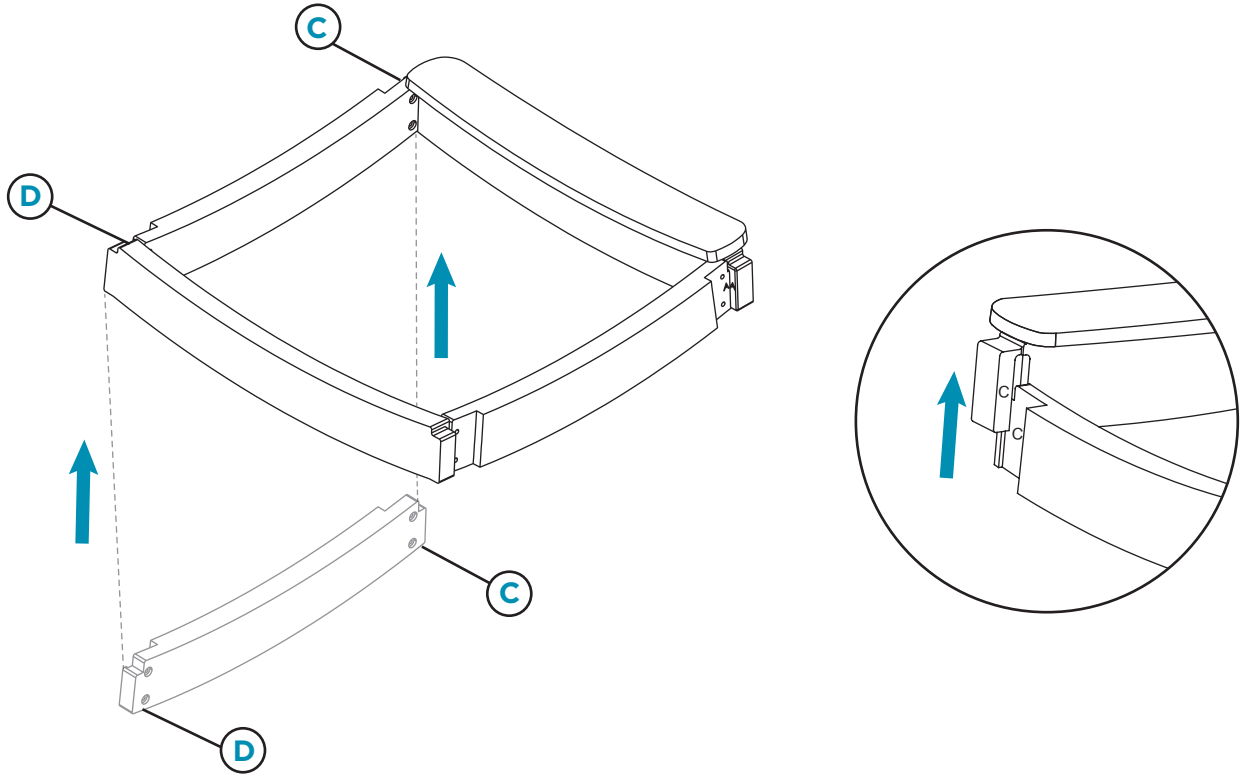


STEP 2: Slide side "B" of the rear leg brace (D-B) into side "B" of the left leg brace (B-A) as shown in the graphic.

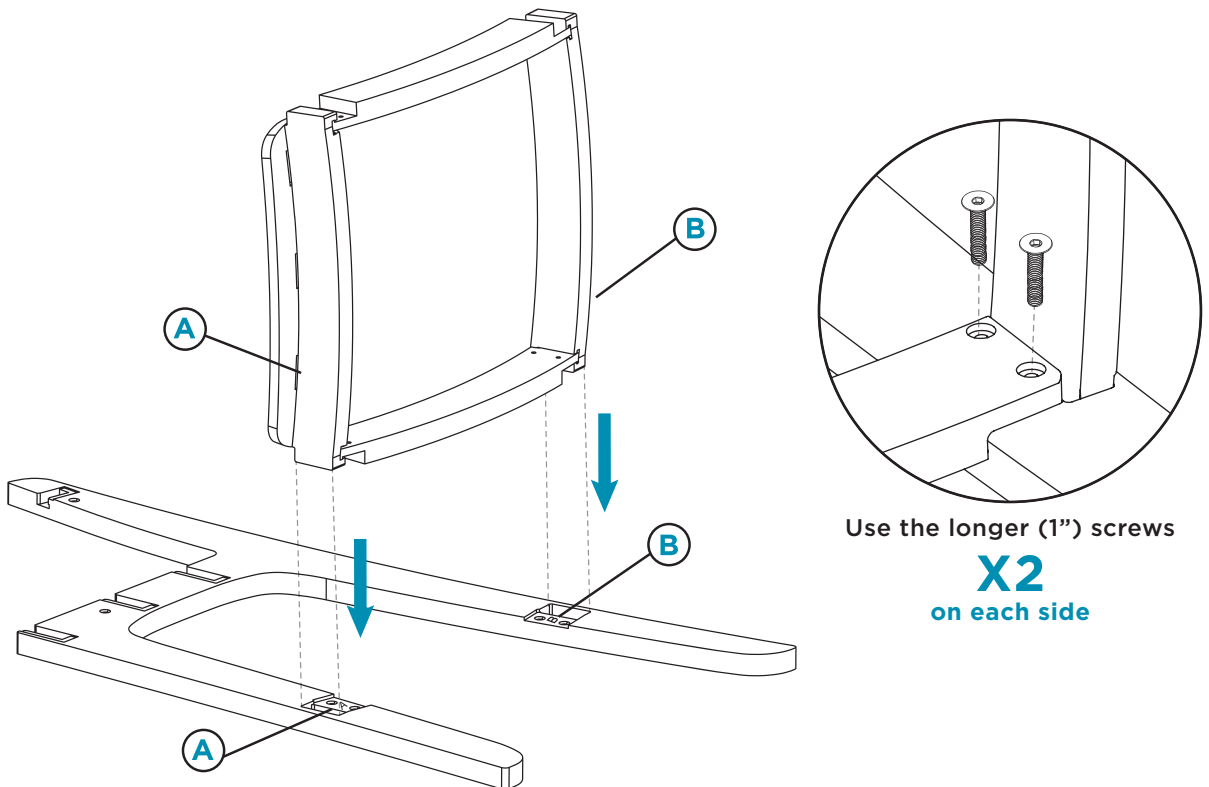


ASSEMBLY

STEP 3: Slide the right leg brace (D-C) into the footrest and rear leg brace, matching letters labeled as shown.

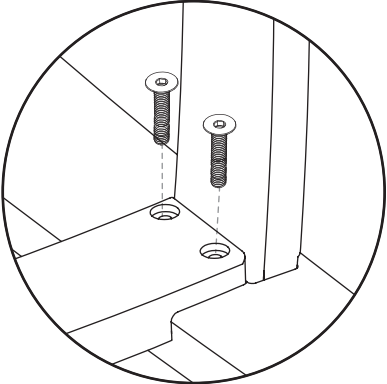
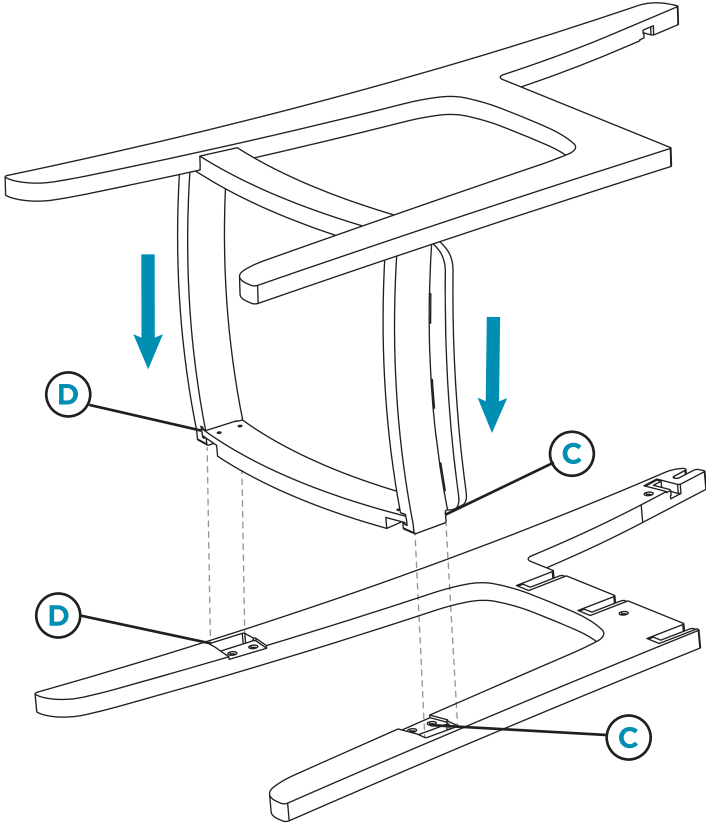


STEP 4: Place left leg on a soft surface. Place assembled parts into the corresponding leg slots, matching the letters. Rock the assembled parts back and forth into the slots to ensure the piece is fully inserted. Then, secure with two 1" screws on each side.



ASSEMBLY

STEP 5: Lift the assembled parts and place onto the right leg. Rock the assembled parts back and forth into the slot to ensure the piece is fully inserted. Then, secure with two 1" screws on each side.

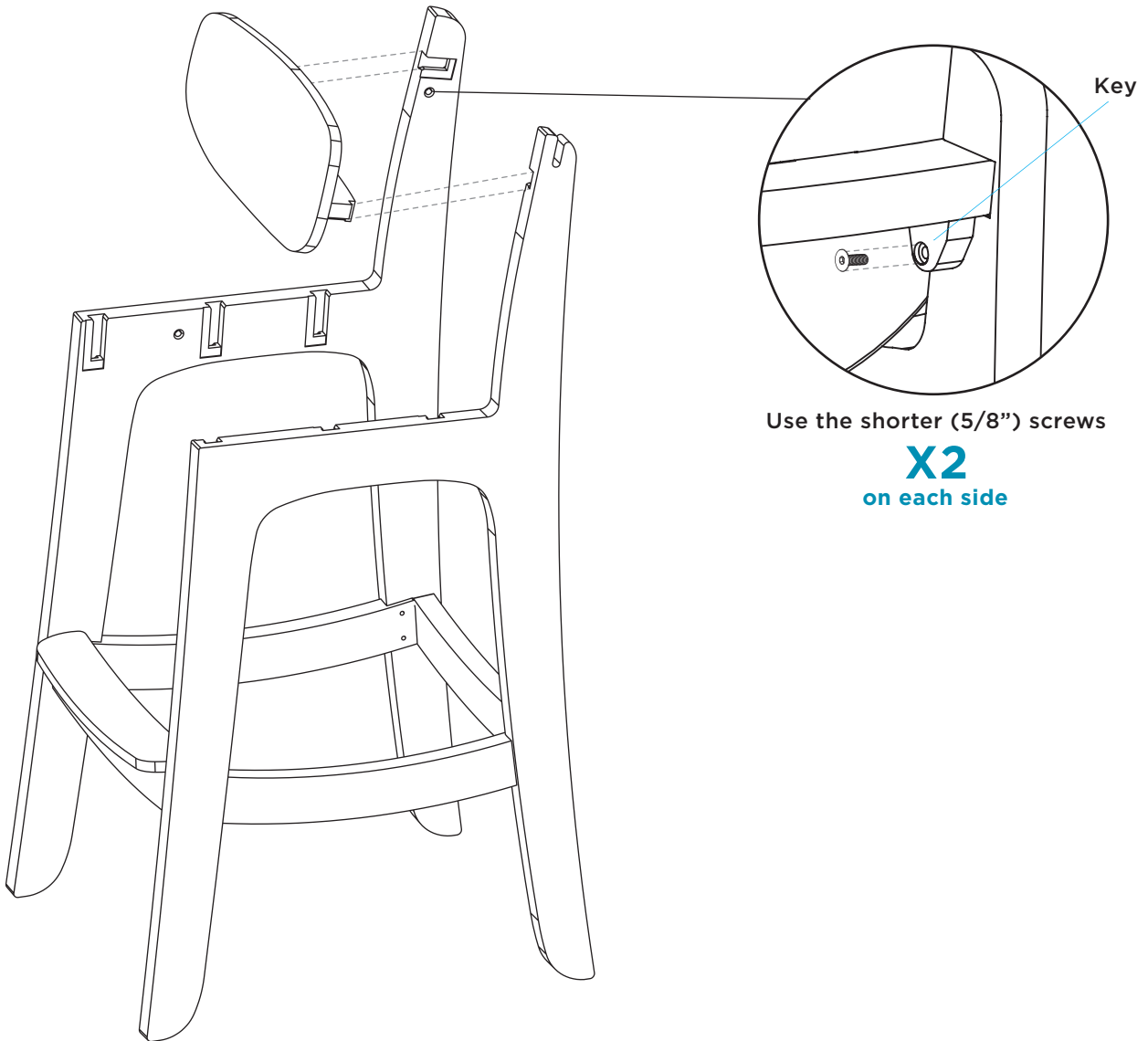


Use the longer (1") screws

X2
on each side

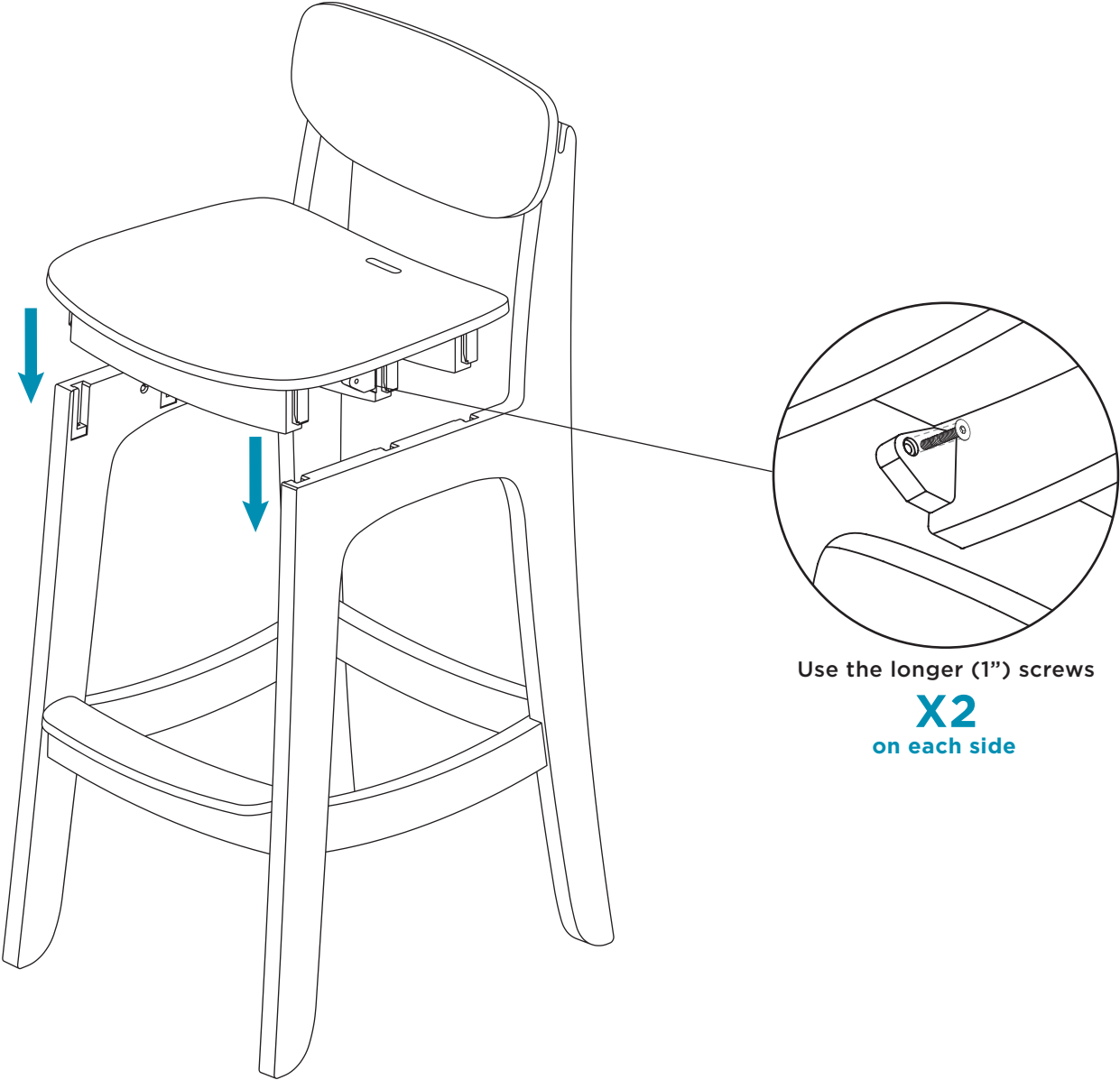
ASSEMBLY

STEP 6: Insert the back rest into the legs with the keys facing down. Then, secure with one 5/8" screw on each side.



ASSEMBLY

STEP 7: Insert the seat onto the base and secure the underside of the seat with a 1" screw on each side.

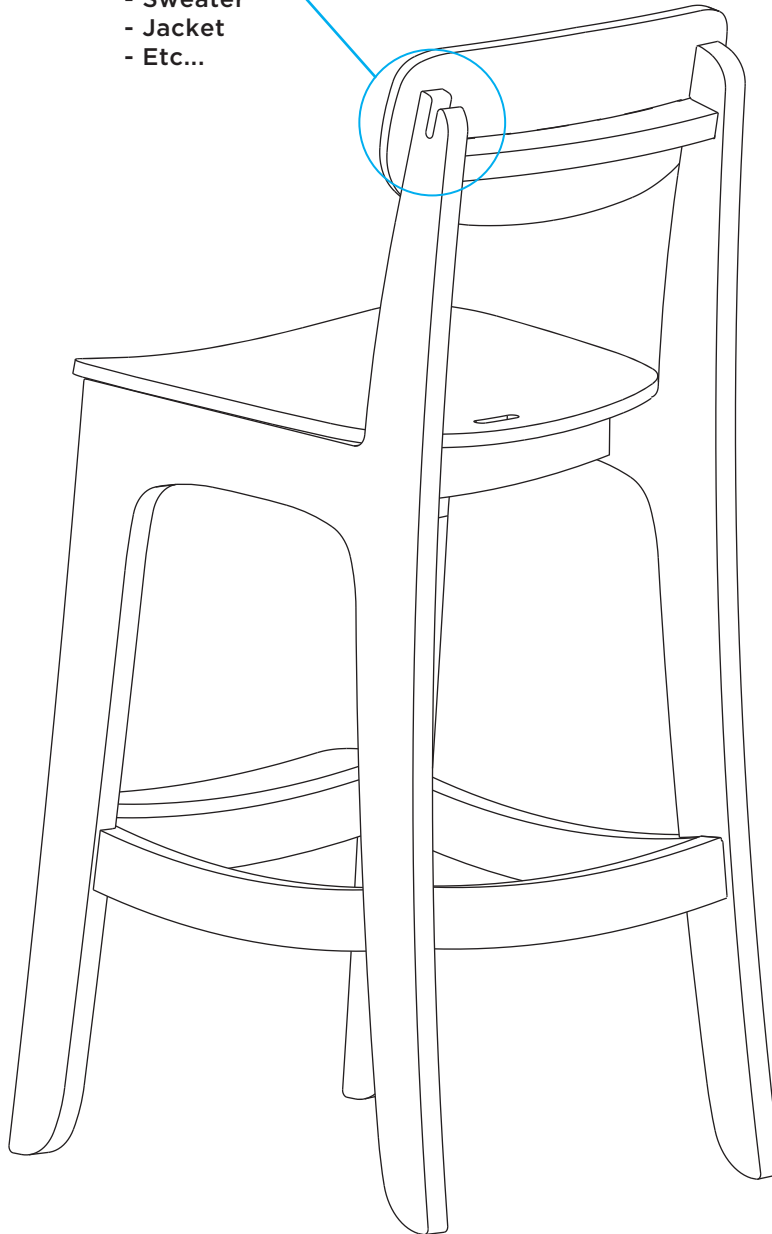


Use the longer (1") screws
X2
on each side

PARTY TRICK

Hook for belongings

- Purse
- Bag
- Towel
- Sweater
- Jacket
- Etc...



SHARE YOUR MEANINGFUL MOMENTS WITH US

#LEDGELIFE