



ASSEMBLY GUIDE FOR Ledge[®] Haven[™] Hightop Table



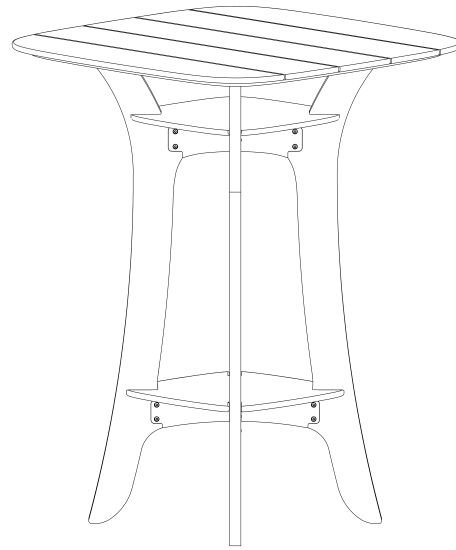
For a PDF version of these instructions, please scan the QR code.



Para instrucciones en español, por favor escanea este código QR.



Pour des instructions en français, veuillez scanner ce code QR.

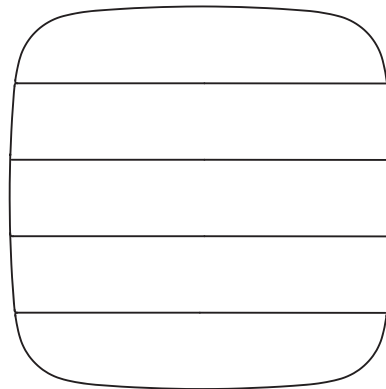


IMPORTANT NOTE

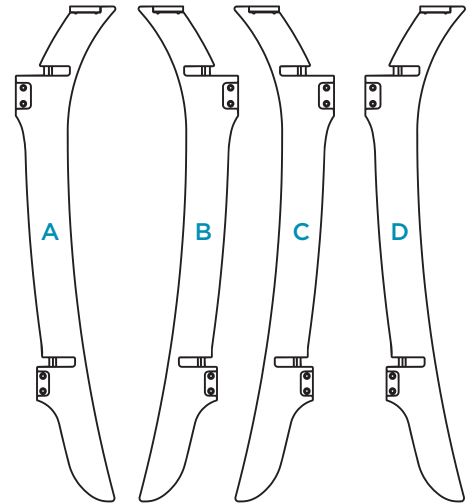
CAREFULLY READ ALL INSTRUCTIONS BEFORE STARTING. CRITICAL STEPS MIGHT BE MISSED RESULTING IN UNSUCCESSFUL ASSEMBLY OR DAMAGE TO THE PRODUCT.

WE RECOMMEND ASSEMBLING OVER A SOFT SURFACE SUCH AS A RUG OR CARPET TO AVOID SCRATCHES.

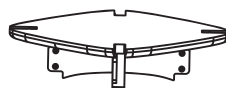
CONTENTS



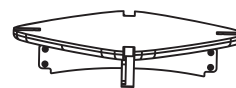
x1 Table Top



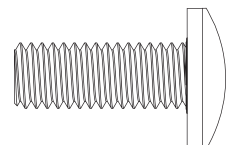
x4 Legs



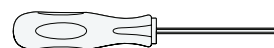
x1 Top Shelf (Smaller)



x1 Bottom Shelf (Larger)



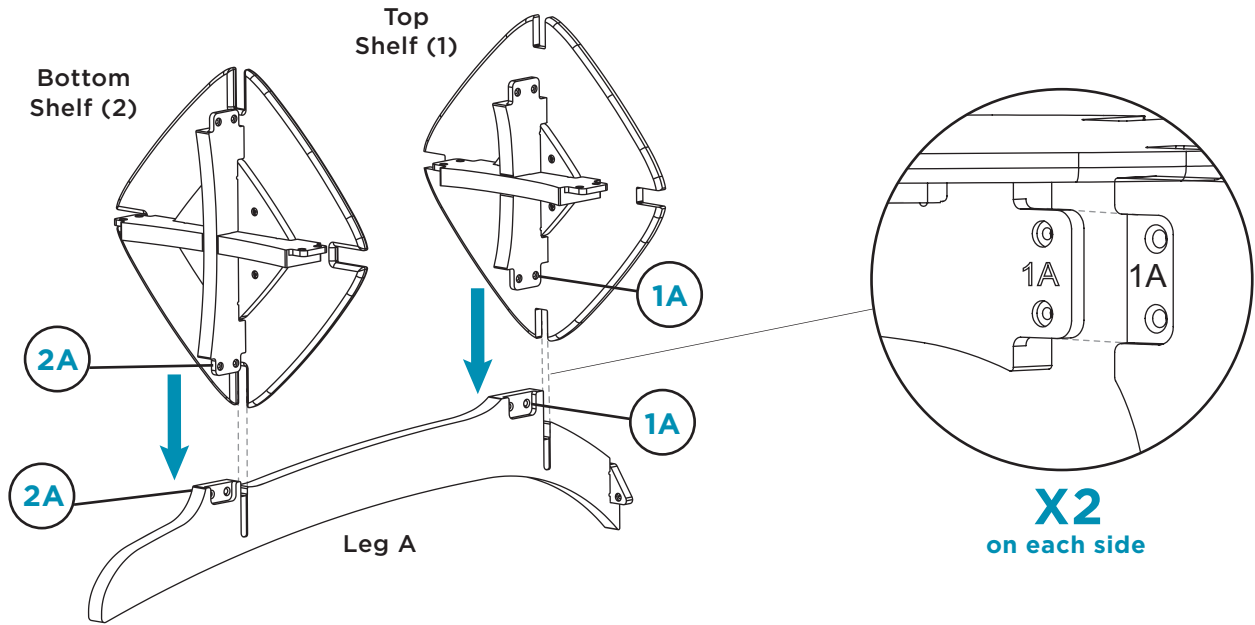
x25 5/8" Screw



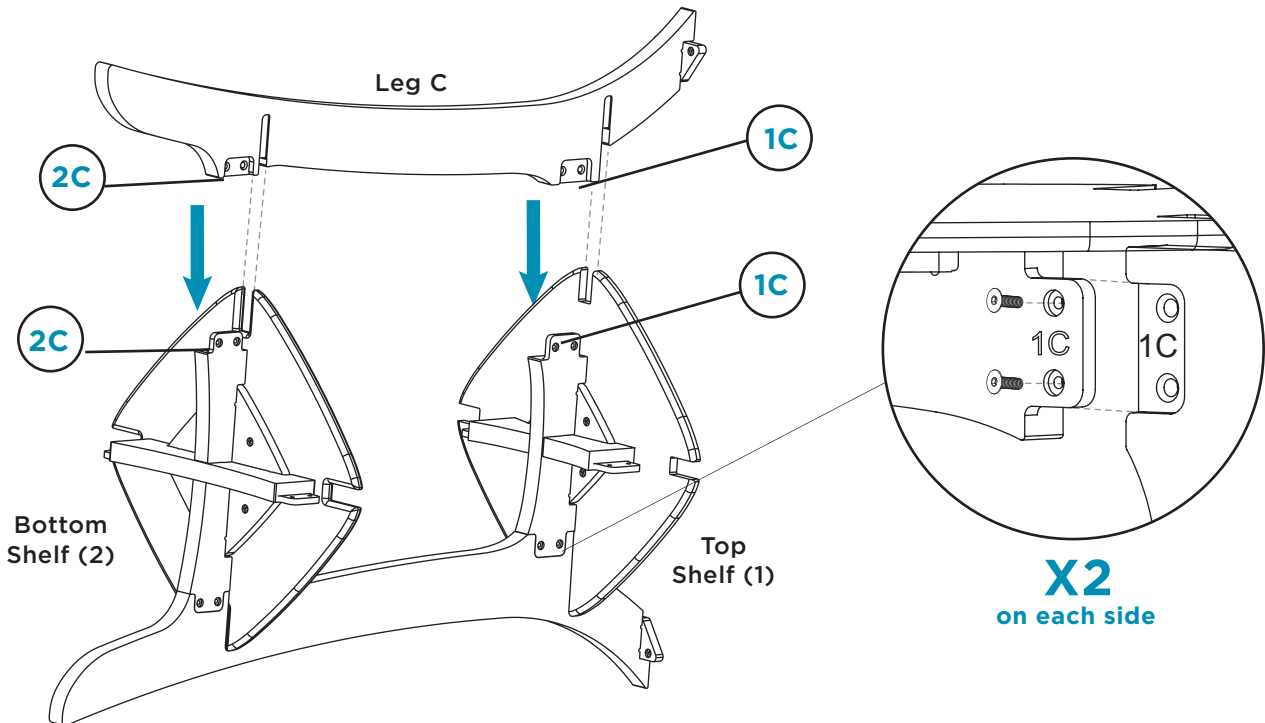
1/8" Hex Screwdriver

ASSEMBLY

STEP 1: Insert side "1A" of the top shelf (1) and side "2A" of the bottom shelf (2) into leg "A", and secure with two screws per shelf.

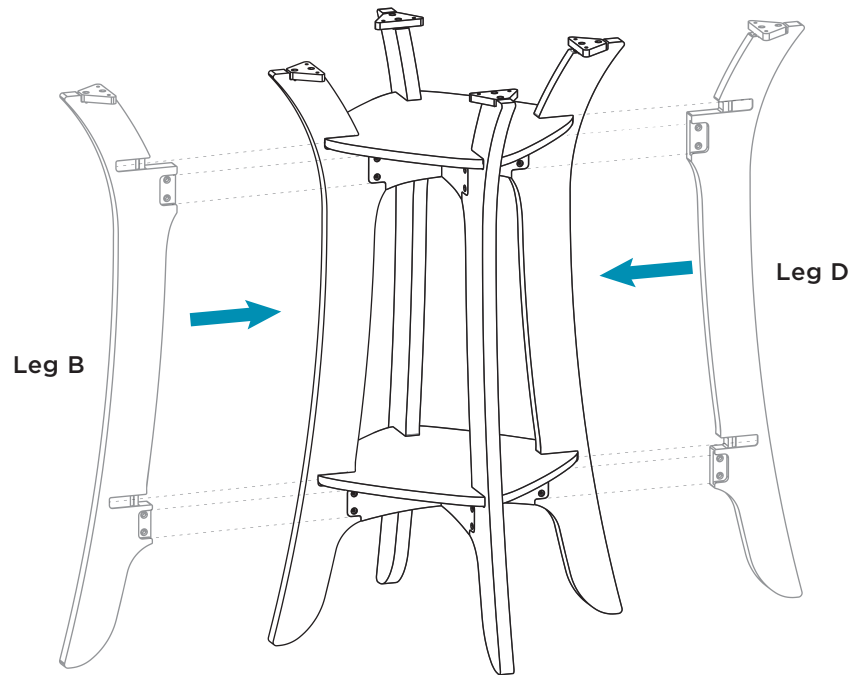


STEP 2: Insert leg (C) into side "1C" of the top shelf and side "2C" of the bottom shelf, securing with two screws on each shelf.

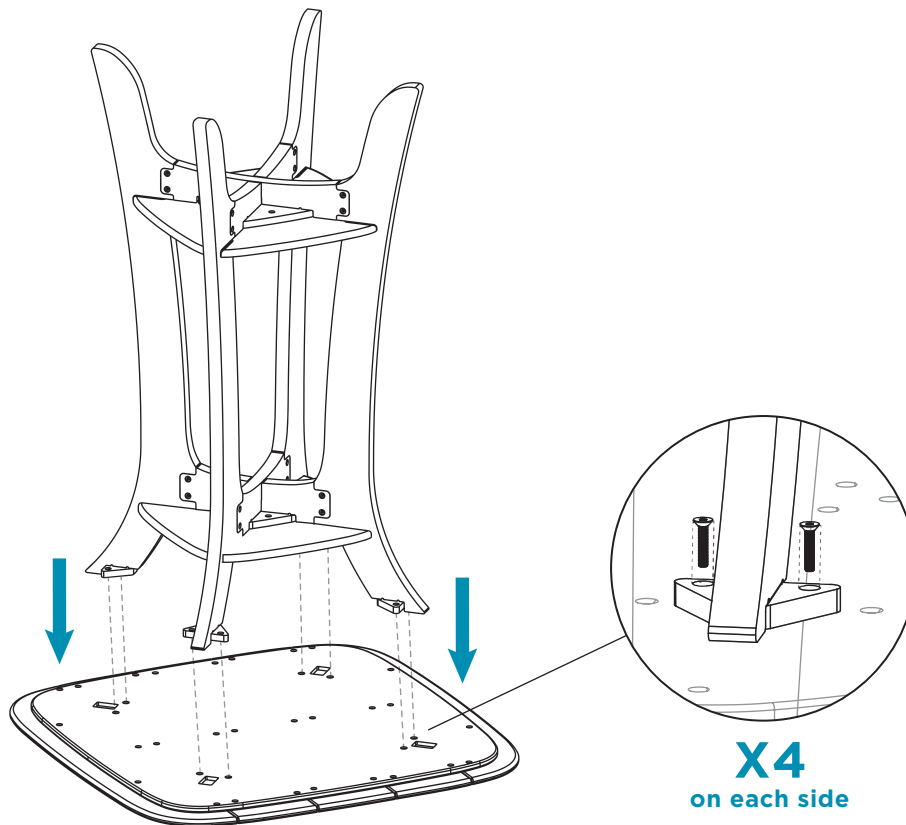


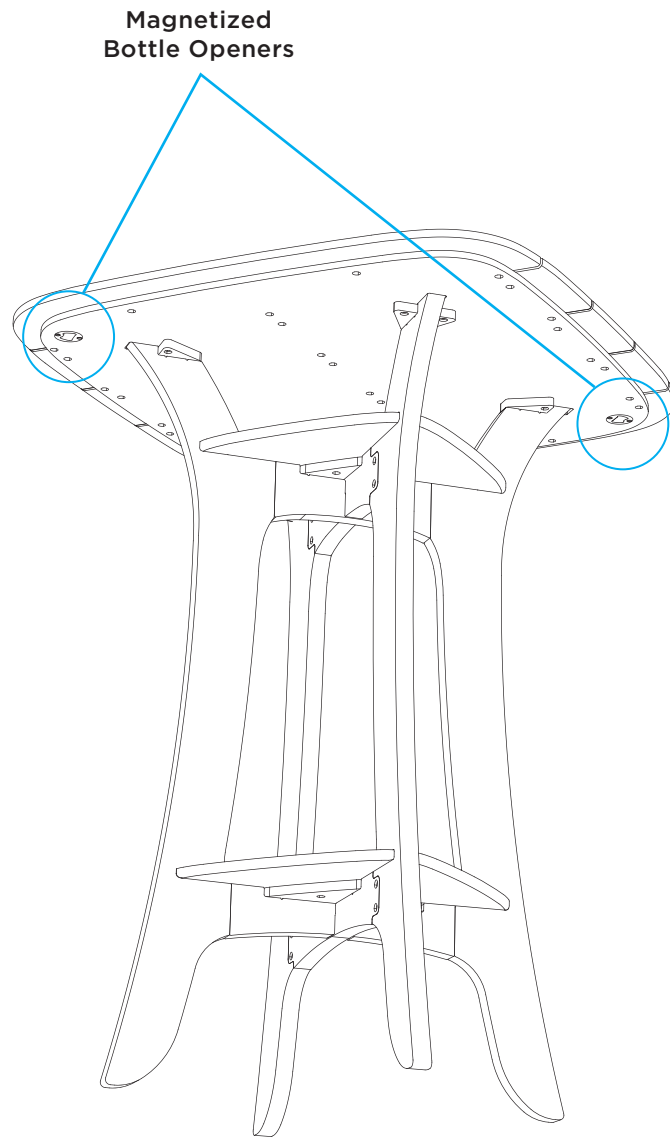
ASSEMBLY

STEP 3: Insert the remaining legs as done in steps 1 and 2; Securing with two screws on each shelf.



STEP 4: Place table top on soft, non-scratch surface. Lift the assembled base and place it onto the table top. Then, secure each leg with two screws.





SHARE YOUR MEANINGFUL MOMENTS WITH US
#LEDGELIFE