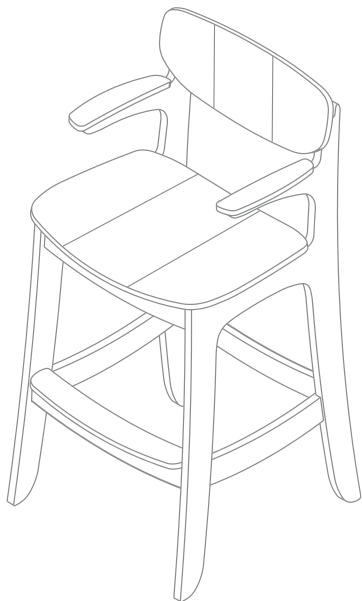


LEDGE®



Assembly Guide

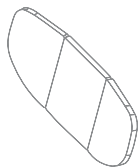
Haven Hightop Armchair

SAVE THESE INSTRUCTIONS

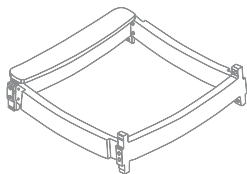
Please read and keep these instructions handy. These instructions will help you learn to use your Haven Hightop Armchair properly and thoroughly so that you can achieve consistent, professional results.

Assembly Guide

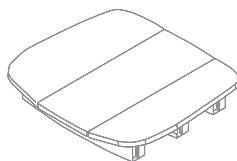
HARDWARE & PARTS



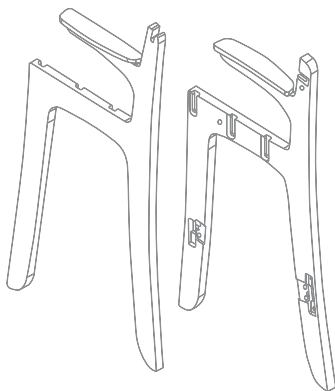
Backrest



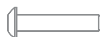
Frame



Seat



Legs



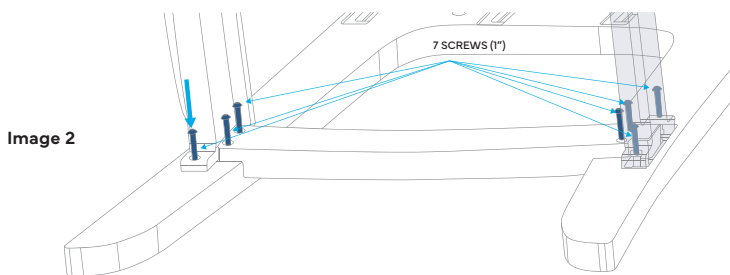
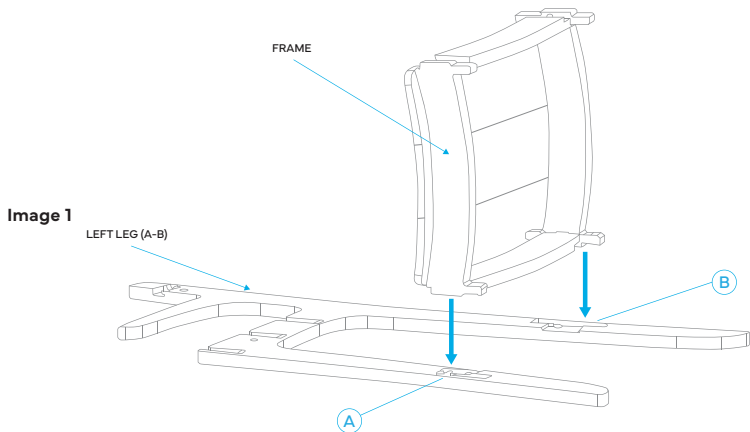
16 Screws (1")



2 Screws (5/8")

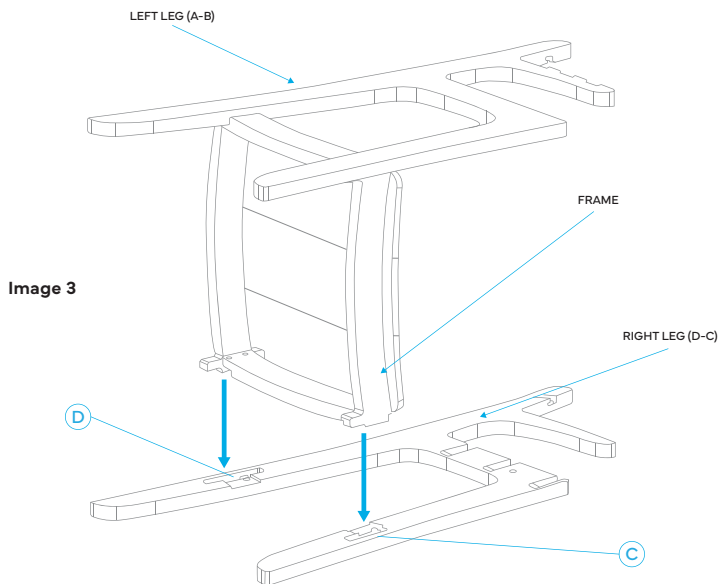
Assembly Guide

- 1 Place the left leg (A-B) on a soft surface. Insert the frame into the leg slots by matching the letters (A and B). Rock the frame back and forth until it is fully seated in the slots. Secure the piece using seven 1" screws. Install three screws on side A and four screws on side B. (See images 1 and 2.)



Assembly Guide

- 2** Lift the assembled frame and place it onto the right leg (D-C). Rock the assembly back and forth into the slots until fully inserted. Secure using seven 1" screws. Install four screws on side D and three screws on side C. (See image 3.)



Assembly Guide

- 3** Insert the backrest into the legs with the keys facing downward.
Secure the backrest using one 5/8" screw on each side.
(See images 4 and 5.)

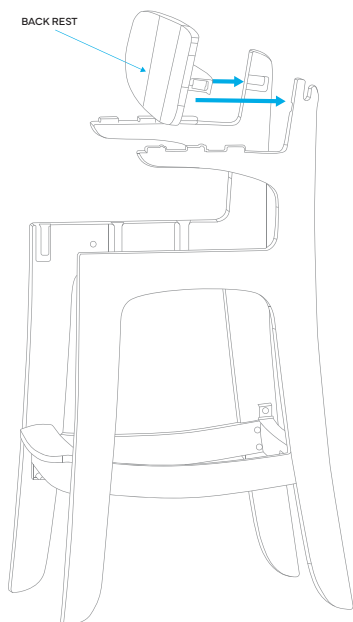


Image 4

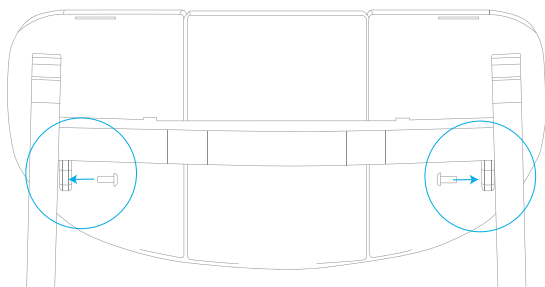


Image 5

Assembly Guide

- 4** Place the seat onto the base. Secure the underside of the seat using two 1" screws. (See images 6 and 7.)

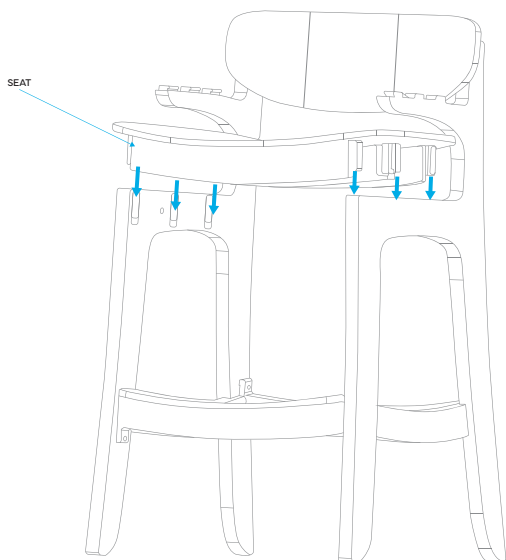


Image 6

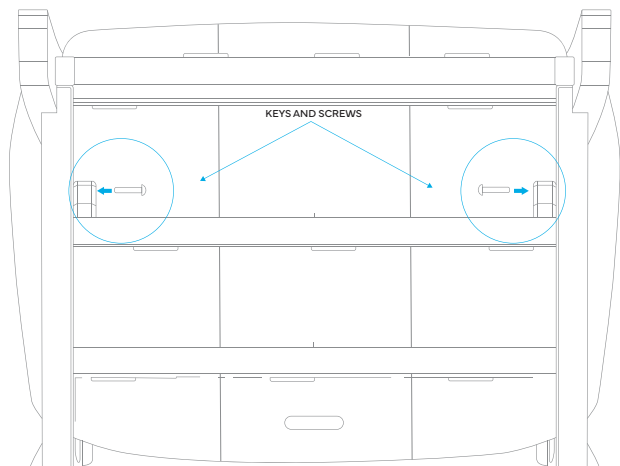
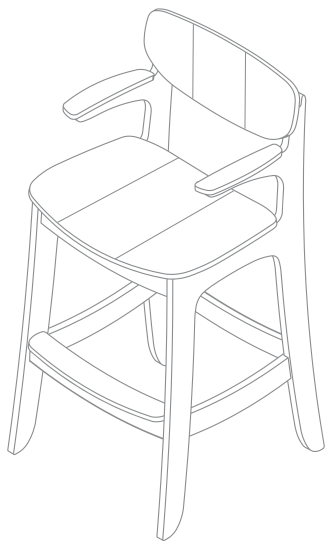


Image 7

Assembly Guide

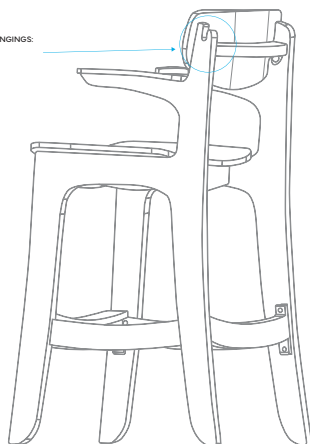
5 Enjoy your new Haven Armchair and the Art of Outdoor Living.
Tag us [@ledgelounger](#) for a chance to be featured!



Party Trick

HOOKS FOR BELONGINGS:

- PURSE
- BAG
- TOWEL
- ETC.



LEDGE[®]
THE ART OF OUTDOOR LIVING