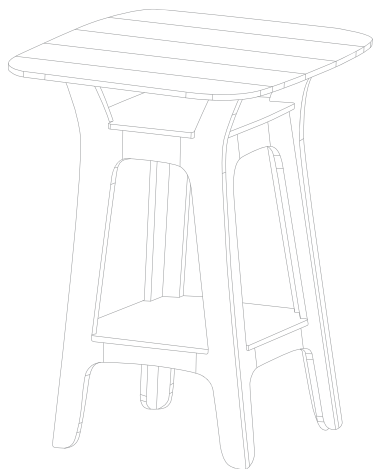


LEDGE[®]



Assembly Guide

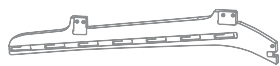
Haven Table

SAVE THESE INSTRUCTIONS

Please read and keep these instructions handy. These instructions will help you learn to use your Haven Table properly and thoroughly so that you can achieve consistent, professional results.

Assembly Guide

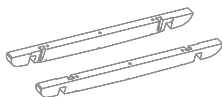
HARDWARE & PARTS



4 Short legs



4 Long legs



2 Short Ribs

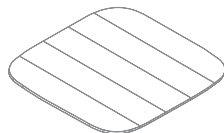
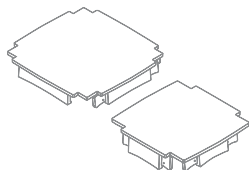
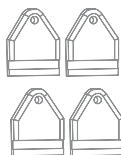


Table Top



Bottom Shelf (big) and Top Shelf (small)



4 Keys



10 Screws (1")



32 Screws (5/8")

1 Place the long leg on a soft surface to prevent scratching. Align the short leg with the slots on the long leg and insert it. Slide the short leg to the right until its rounded end is completely flush with the base edge. Complete these steps for all remaining leg sets. (See image 1.)

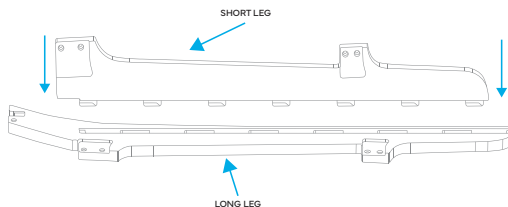


Image 1



Assembly Guide

- 2** Note that the bottom shelf is larger than the top shelf. Place both shelves onto the first leg. Fasten each shelf to the leg using four screws (size 5/8"). Follow this same procedure for all remaining legs. (See images 2, 3, and 4.)

Image 2

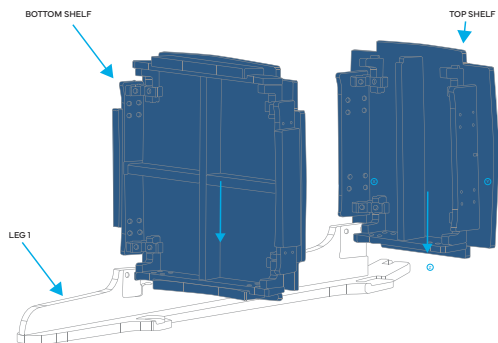


Image 3

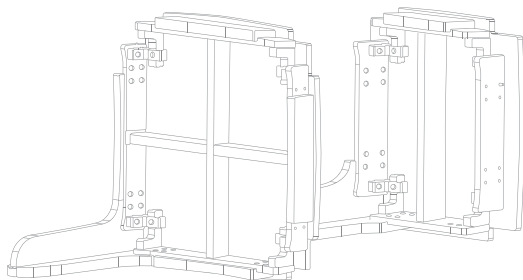
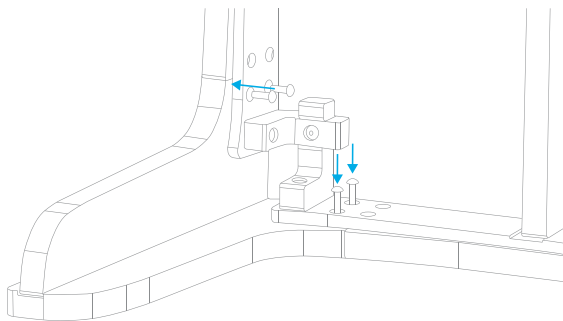


Image 4



Assembly Guide

- 3** Attach the remaining legs to the shelves using the same method as the previous step. Use the remaining 5/8" screws, a total of 32 screws across all legs. Ensure all legs are secure to create a stable, upright base.
(See images 5 and 6.)

Image 5

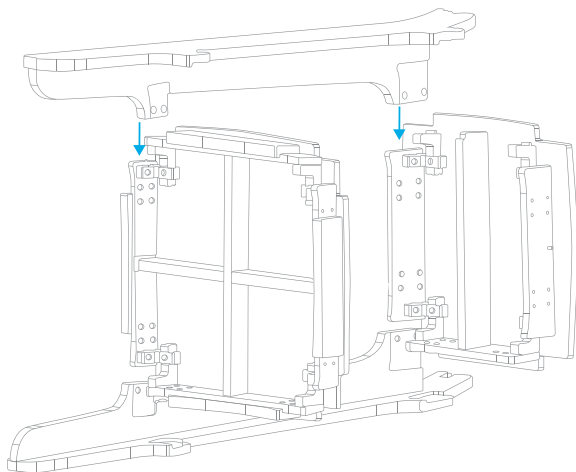
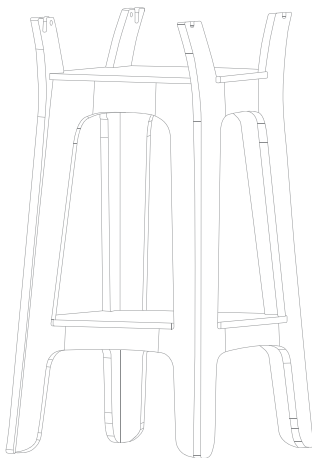


Image 6



Assembly Guide

- 4** Place the table top upside down on a soft surface to protect the finish. Insert and slide the four keys into the ribs, placing two keys into each rib. After the keys are correctly positioned, place the ribs onto the table top and secure them using six 1" screws. (See images 7 and 8.)

Image 7

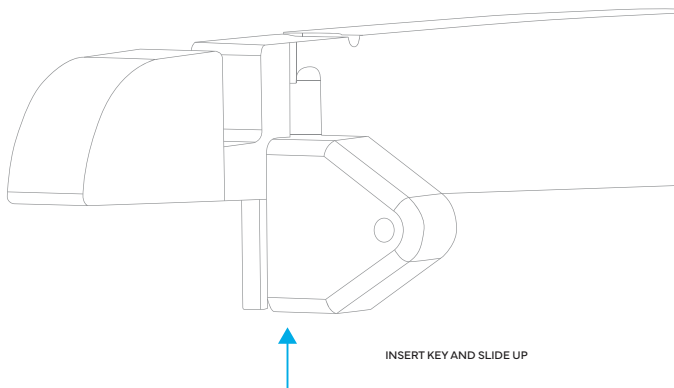
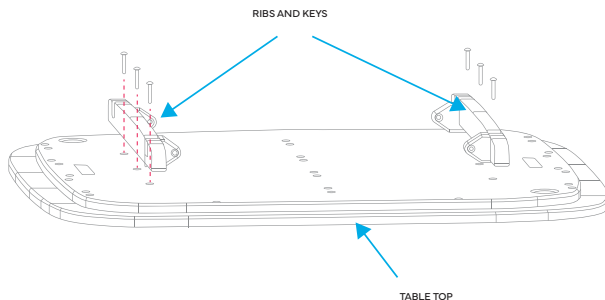


Image 8



Assembly Guide

- 5** Insert the table top in the correct position and secure it with four 1" screws. (See images 9, 10, and 11.)

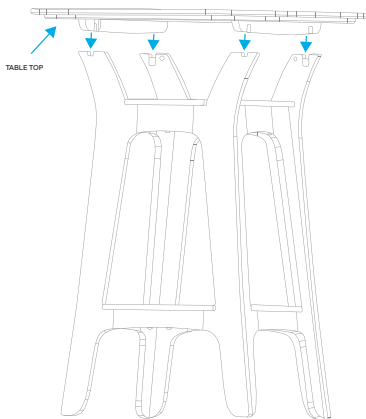


Image 9

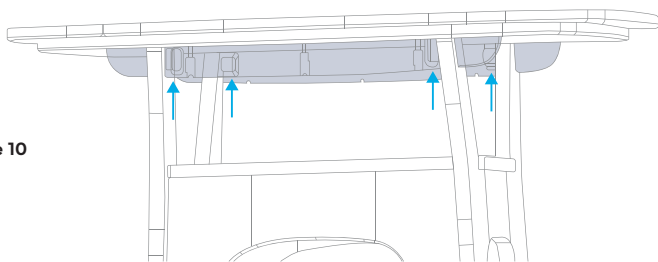


Image 10

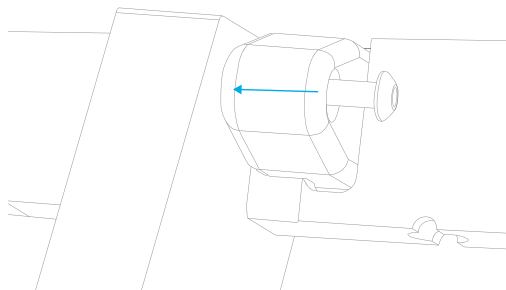
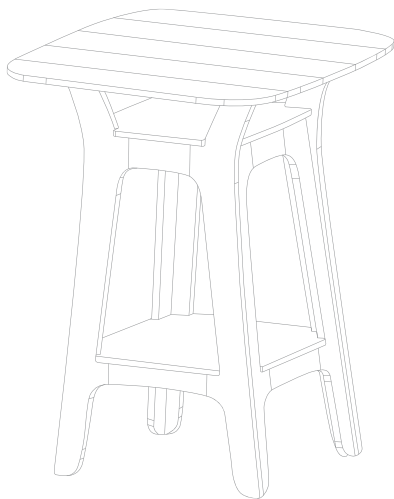


Image 11

Assembly Guide

6 Enjoy your new Haven Table and the Art of Outdoor Living.
Tag us [@ledgelounger](https://www.instagram.com/ledgelounger) for a chance to be featured!



6

LEDGE[®]
THE ART OF OUTDOOR LIVING