

# LEDGE®

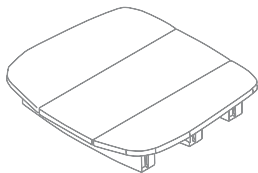
## Haven Hightop Chair Assembly Guide



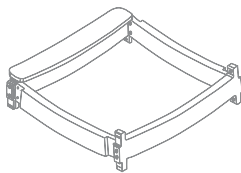
### ▲ BEFORE YOU BEGIN

Unpack and lay all pieces flat on a padded surface to avoid scratching or damaging them. Locate and count all parts before discarding any packaging.

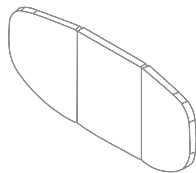
### PARTS



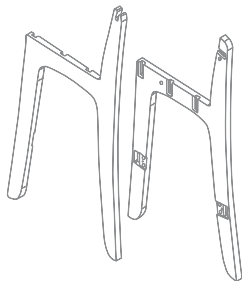
SEAT



FRAME



BACKREST



LEGS



16  
1" SCREWS



2  
5/8" SCREWS

## STEP 1

Place the left leg (A–B) on a soft surface. Insert the frame into the matching A and B slots, rock it gently to ensure it's fully inserted.

**Tip:** Rubber mallet might need to be used to set it into place. Secure with seven 1" screws, three on side A and four on side B (see images 1, 2).

IMAGE 1

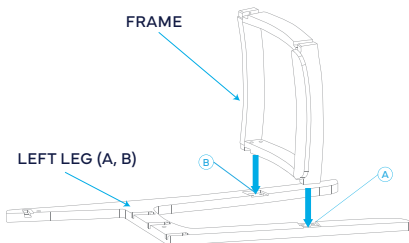
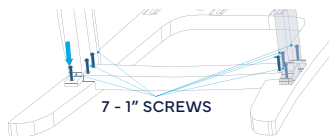
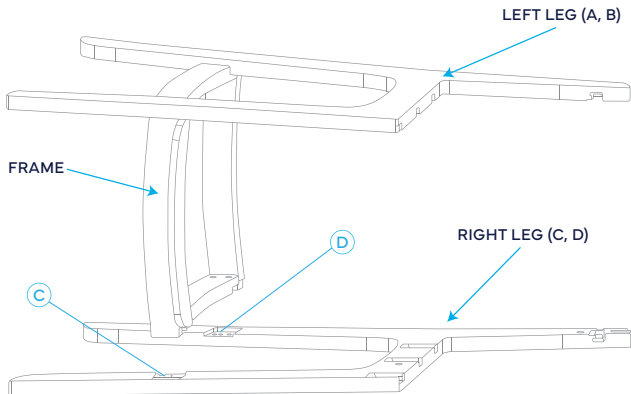


IMAGE 2



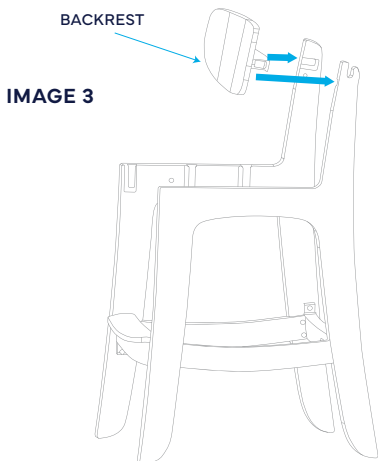
## STEP 2

Place the assembled unit onto the right leg (D–C). Rock gently to ensure it's fully inserted in the slots, then secure with seven 1" screws—four on side D and three on side C.

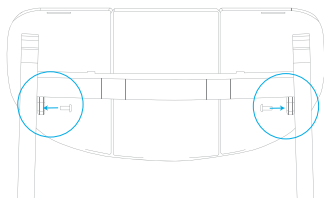


### STEP 3

Insert the backrest into the legs with the keys facing down. Secure with one 5/8" screw on each side (see images 3, 4).

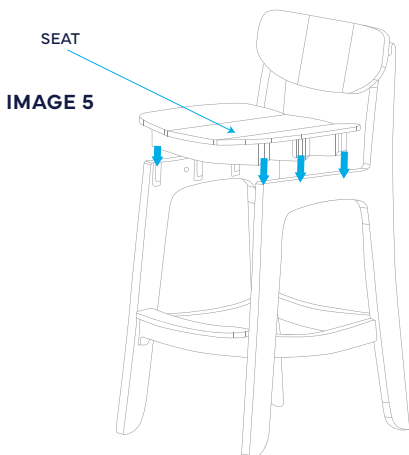


**IMAGE 4**

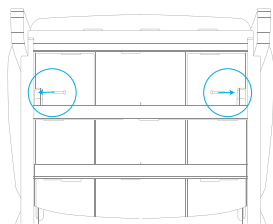


### STEP 4

Place the seat onto the base and secure it from underneath with two 1" screws (see images 5, 6).



**IMAGE 6**



## STEP 6

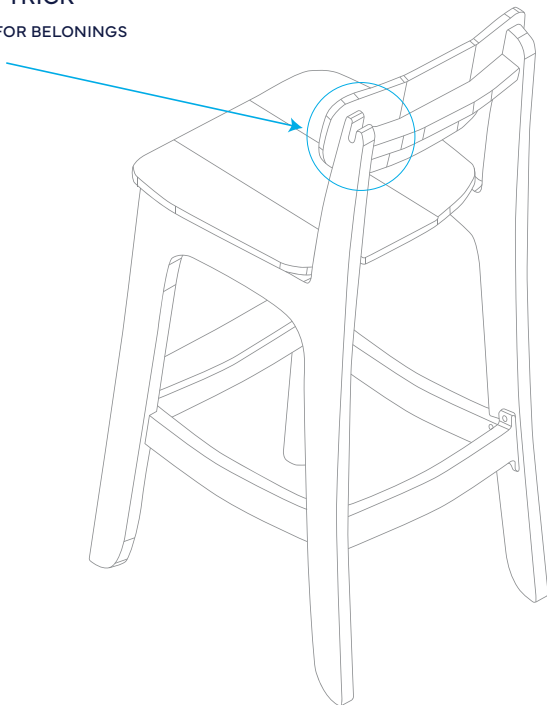
### Assembly Complete

We hope your new piece serves as the backdrop for life's most meaningful moments. We would love to see how you've styled your space, tag us **@ledgelounger** for a chance to be featured in our gallery!

### PARTY TRICK

#### HOOKS FOR BELONINGS

- PURSE
- BAG
- TOWEL



For a PDF version of these instructions, please scan the QR code.



Para instrucciones en español, por favor escanea este código QR.



Pour des instructions en français, veuillez scanner ce code QR.

**LEDGE**<sup>®</sup>  
THE ART OF OUTDOOR LIVING