



ASSEMBLY GUIDE FOR Signature Umbrella Base



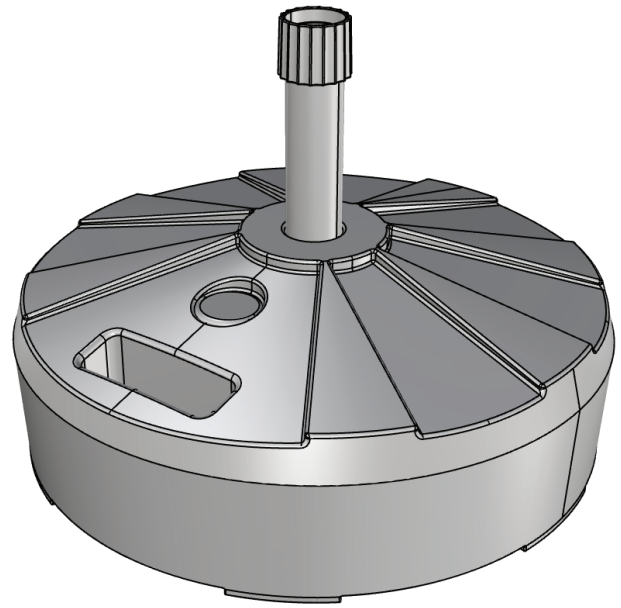
For a PDF version of these instructions, please scan the QR code.



Para instrucciones en español, por favor escanea este código QR.



Pour des instructions en français, veuillez scanner ce code QR.



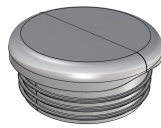
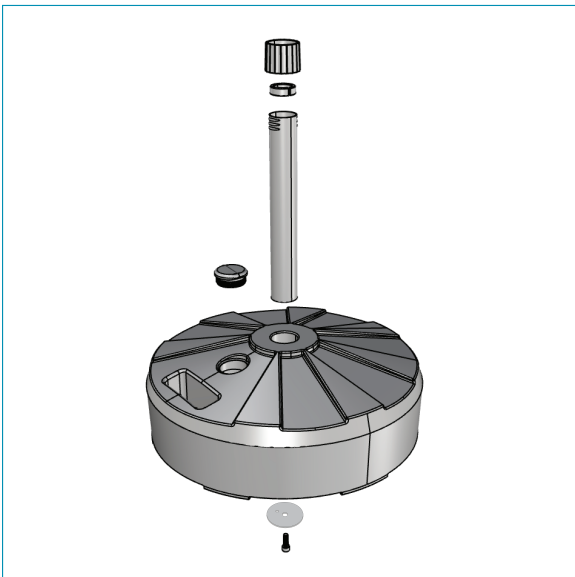
WARNINGS/IMPORTANT NOTES

- Only use to secure Ledge umbrellas - not approved for other models.
- Compatible with 1.375", 1.5", & 2" Umbrella pole diameters.
- Not for use in pool.

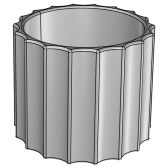
CLEANING AND CARE

- Hand wash with soap & water only.

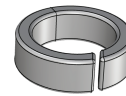
PARTS INCLUDED



x1 Fill Cap



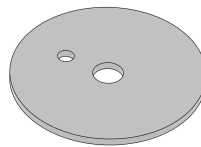
x1 Receiver Cap



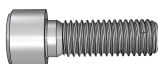
x1 1.375" Reducer



x1 1.5" Reducer



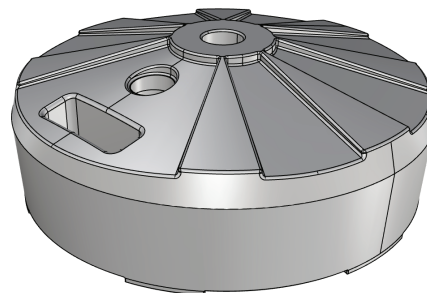
x1 Pole Brace



x1 Screw



x1 Allen Wrench



x1 Base Reservoir



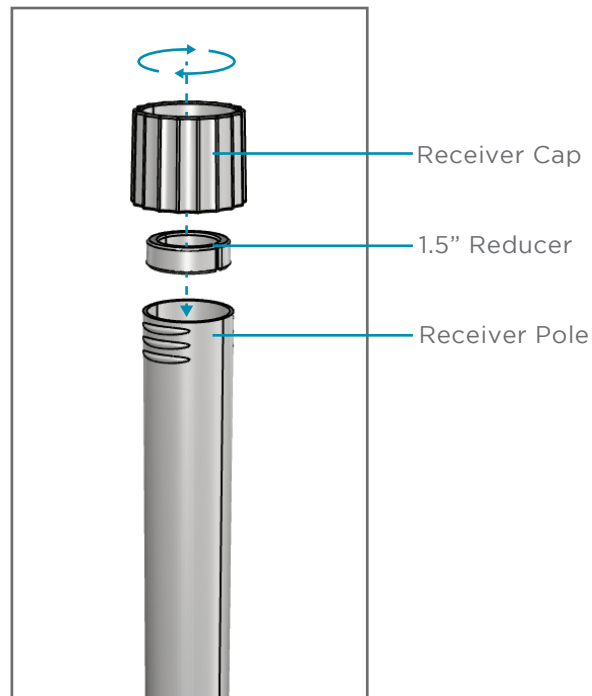
x1 Receiver Pole

ASSEMBLY

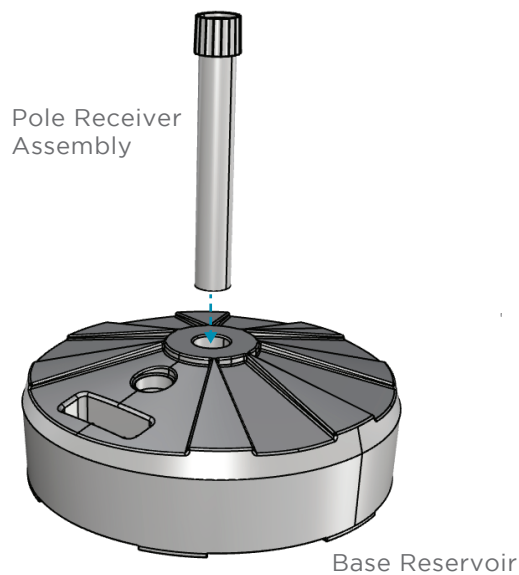
STEP 1: Assemble the pole receiver assembly by inserting the 1.5" reducer into the top of the pole and screwing the receiver cap onto the threads on the pole.

Note - If your umbrella pole has a 2" diameter, you will not need the 1.5" reducer piece in this step.

All LEDGE umbrellas have 1.5" diameter poles.



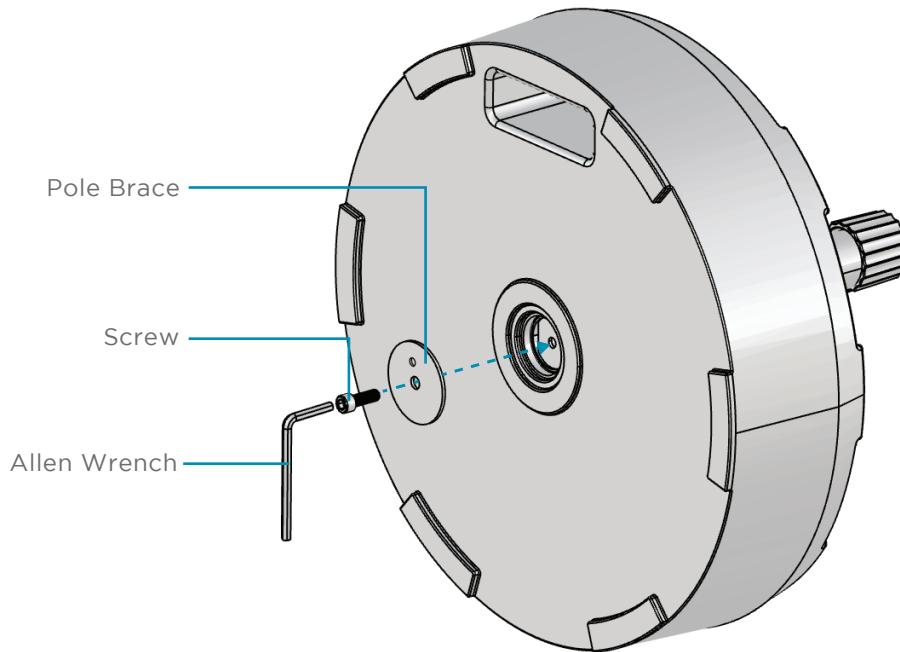
STEP 2: Insert the pole receiver assembly into the base reservoir as shown. Firmly press on the pole receiver assembly to make sure it is seated correctly.



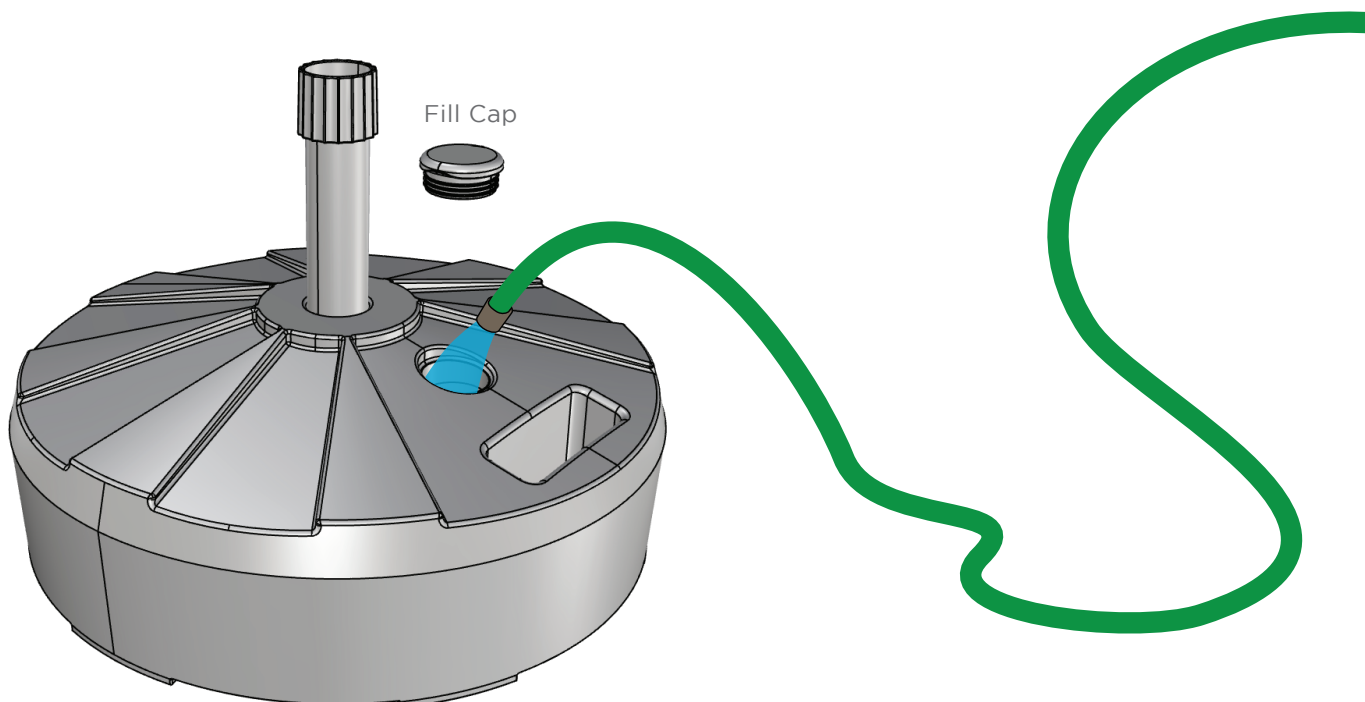
ASSEMBLY

STEP 2: Insert the metal pole brace piece into the cavity at the bottom of the base reservoir. Press firmly to ensure the piece is seated correctly.

Insert screw through the center hole and use the included allen wrench To attach the pole receiver assembly from below. Tighten to secure.

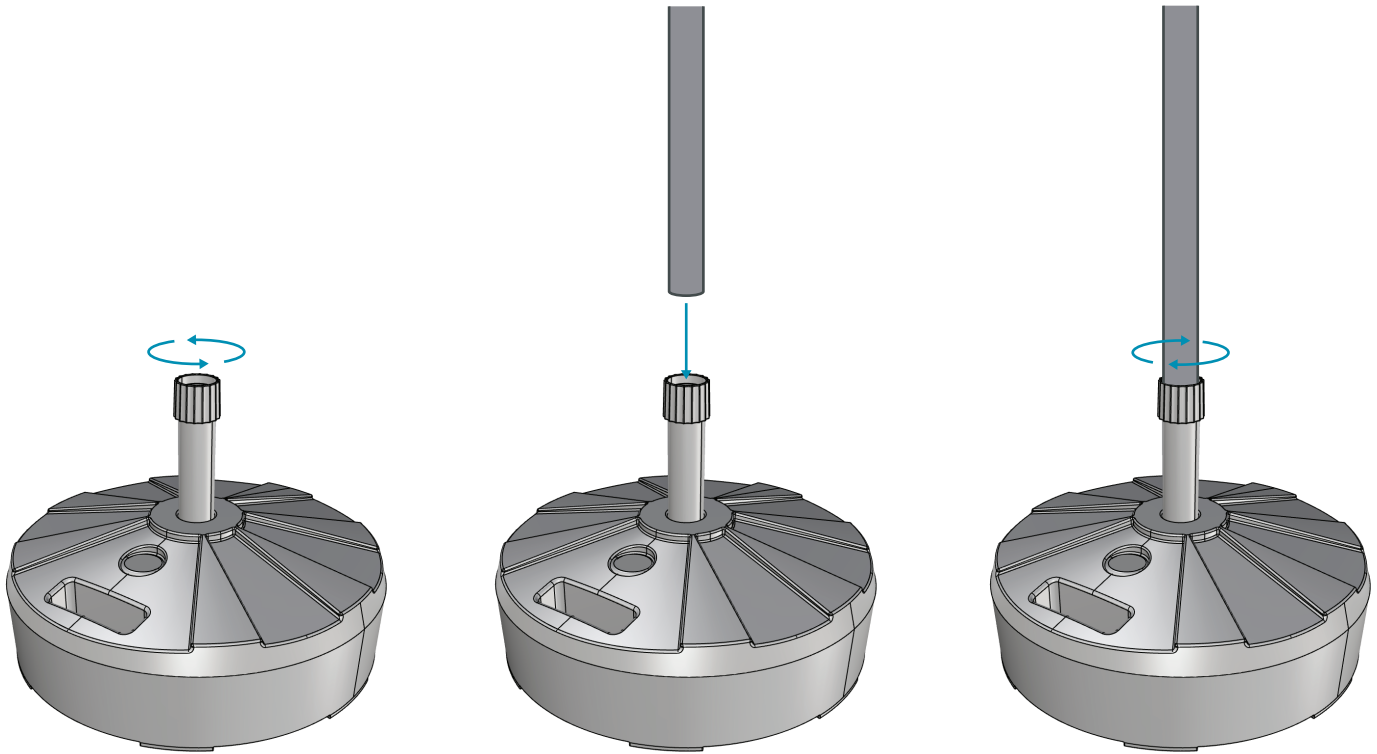


STEP 3: Once the pole receiver has been secured to the base reservoir, unscrew the fill cap on the base and fill base reservoir with water. Add chlorine tablet to prevent algae or mold. Replace fill cap once full.



ASSEMBLY

STEP 2: Loosen the top ring on the pole receiver assembly, insert the umbrella pole, and then re-tighten the top ring to secure the umbrella in the base. Assembly complete.



WARNING

Assembly Instructions and
Assembly Items Enclosed

DO NOT THROW AWAY