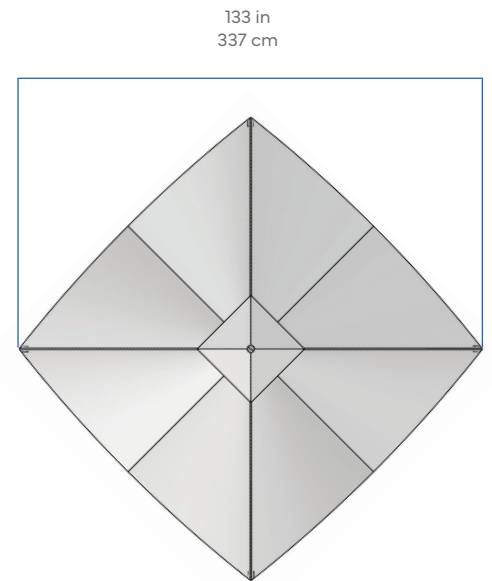
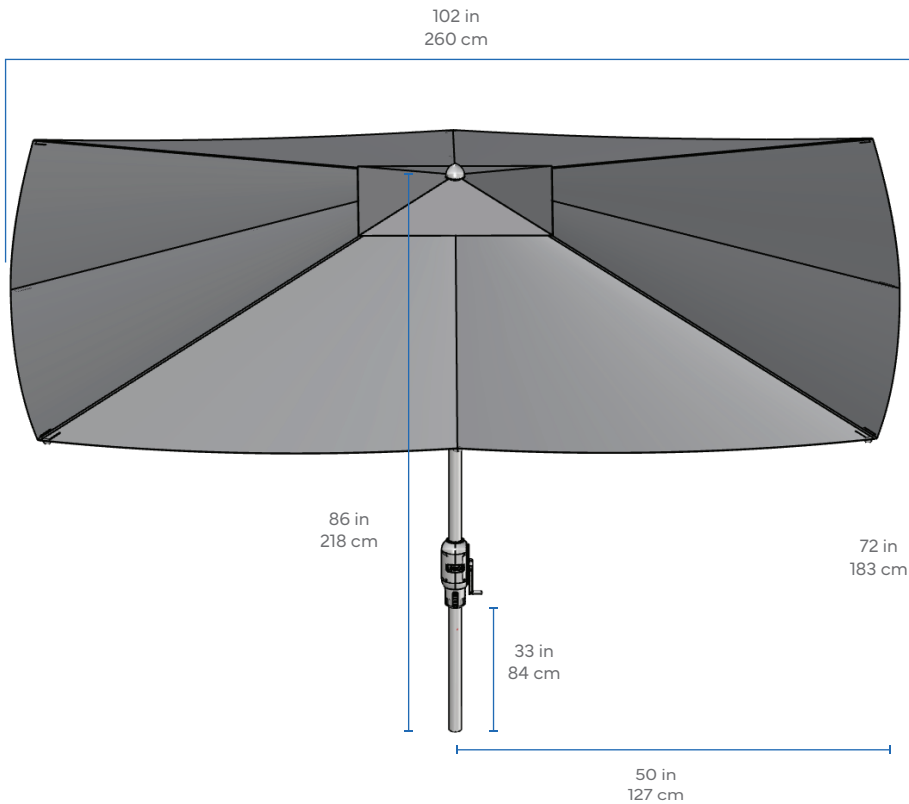


Signature

CLASSIC 360° TILT 8.5' SQUARE UMBRELLA



FEATURES

- Engineered with precision materials for long lasting durability
- Easy-crank canopy unveils your personal shade sanctuary
- Secure strap included for convenient storage
- Tilt-and-swivel adjustments provide effortless precision for all-day shade
- Architectural, resort-inspired design thoughtfully created for refined leisure
- Compatible with on-deck, in-pool and in-ground mounting solutions (sold separately)
- Wind rated up to 20 mph (32 km/h) when securely attached to the appropriate base
- Corrosion resistant aluminum frame and robust 1.5" center pole
- Premium, vented high performance fabric canopy with reinforced rib pockets for years of use

SPECIFICATIONS

Canopy Size: 102 In | 260 cm x 102 In | 260 cm
Overall Height: 86 In | 218 cm
Weight Pole & Canopy: 16 lbs | 7 kg

Crank Clearance Height: 33 in | 84 cm
Closed Circumference: 20 in | 51 cm
Pole Diameter: 1.5 in | 4 cm