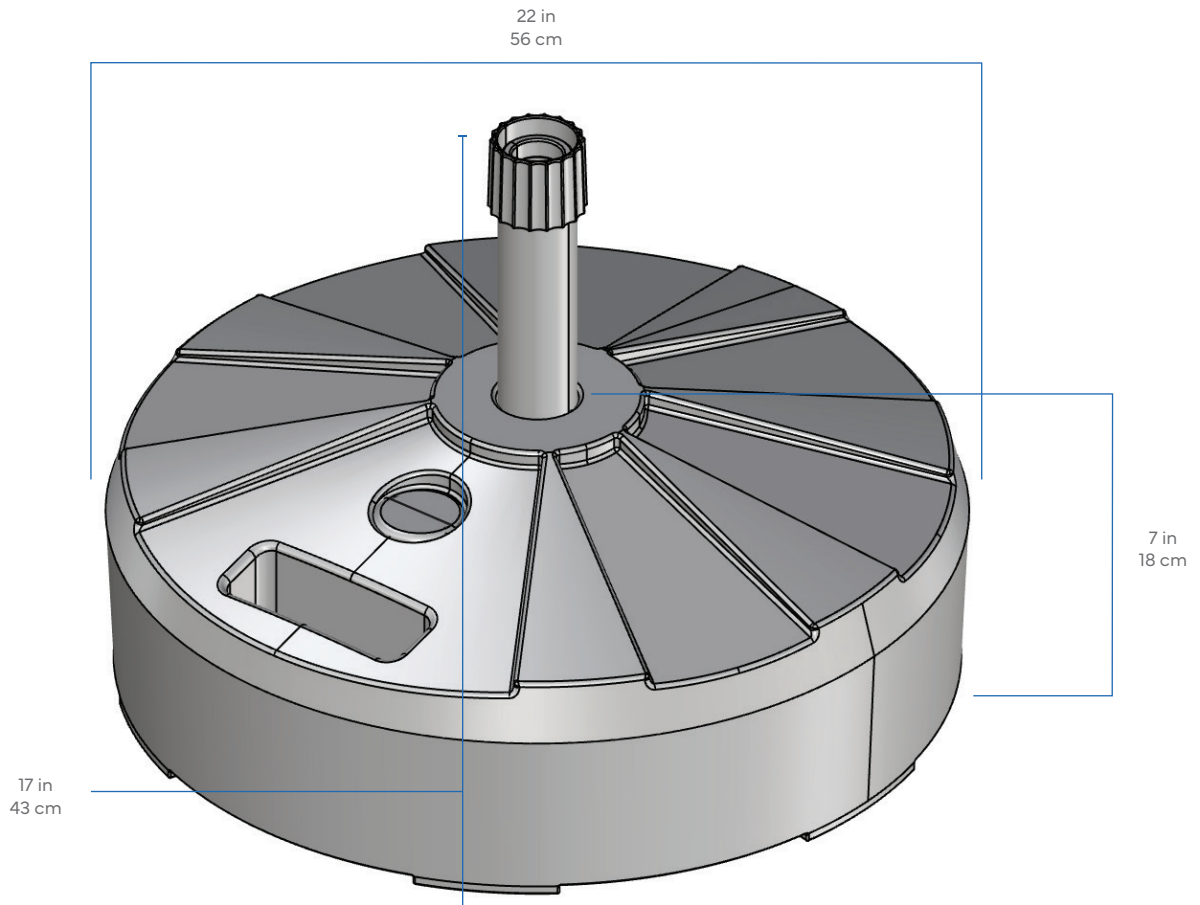


Signature

UMBRELLA BASE



FEATURES

Note: not for use in pool

- Water fillable base is easy to assemble
- Compatible with 1.375", 1.5", & 2" umbrella pole diameters
- Durable molded plastic & metal construction with built-in handle for easy transport
- Wind rated up to 20 mph (32 km/h) when securely attached to the appropriate base

SPECIFICATIONS

Diameter: 22 In | 56 cm
Overall Height: 17 In | 43 cm
Base Height: 7 in | 18

Weight empty: 8 lbs | 4 kg
Weight filled with water: 68 lbs | 31 kg