



ASSEMBLY GUIDE FOR 6.5' & 8.5' Signature Classic 360° Tilt Square Umbrellas



For a PDF version of these instructions, please scan the QR code.



Para instrucciones en español, por favor escanea este código QR.



Pour des instructions en français, veuillez scanner ce code QR.

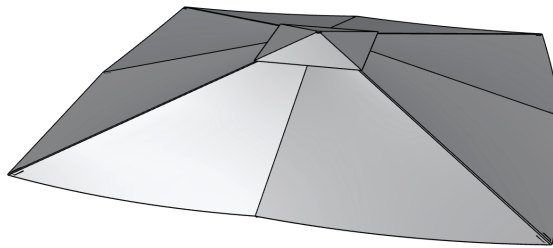
WARNINGS/IMPORTANT NOTES

- Wind rating - 15mp/h (24km/h).
- Close umbrella and secure when wind speed is over 15mph (24km/h).
- Close umbrella and secure with velcro strap when not in use.
- Umbrellas are compatible with the appropriate 1-1/2" diameter on-deck, in-pool and in-ground base types. *On-deck and in-pool bases sold separately.
- Watch fingers when opening and closing umbrella - pinch risk.

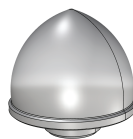
CLEANING AND CARE

- Hand wash fabric shade with soap & water only.

PARTS INCLUDED



x1 Fabric Shade



x1 Finial



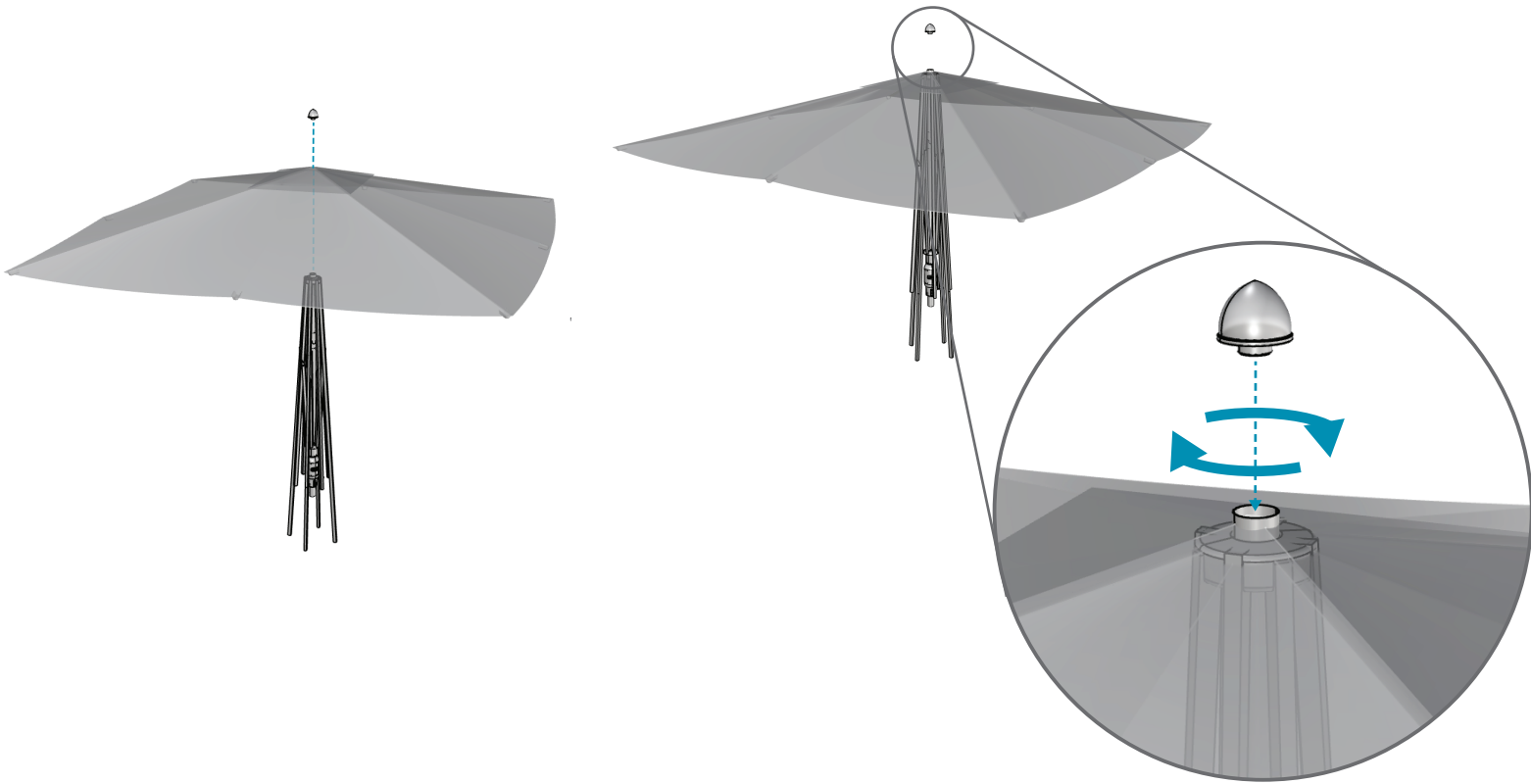
x1 Pole Section



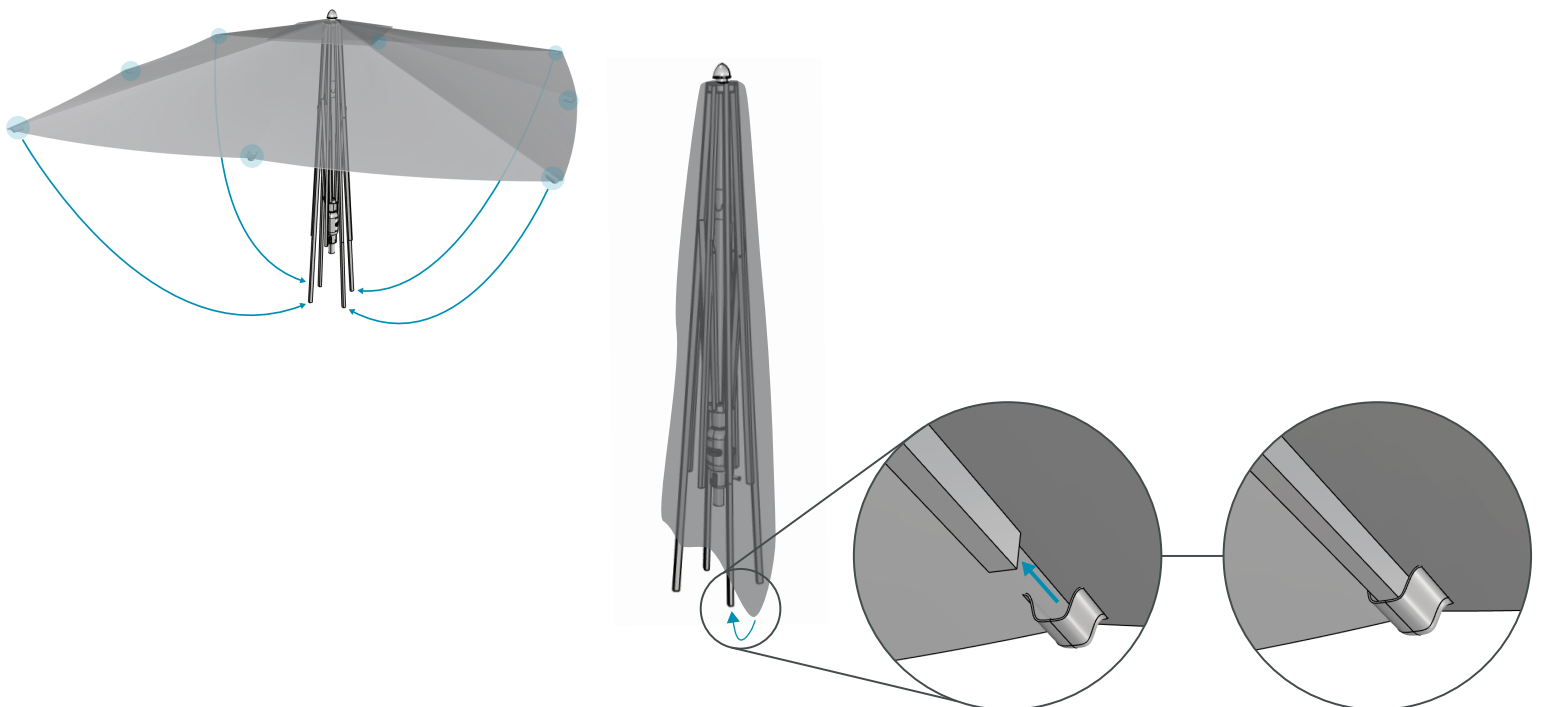
x1 Spreader Assembly

ASSEMBLY

STEP 1: To secure the fabric shade to the spreader assembly, screw on the finial above the shade as shown below.



STEP 2: Fold the fabric shade down and attach the pockets at each corner to the ends of the metal spreader bars (x8). The pockets in the corners of the square shade will attach to the longer spreader bars and the pockets in the middle will attach to the shorter spreader bars.

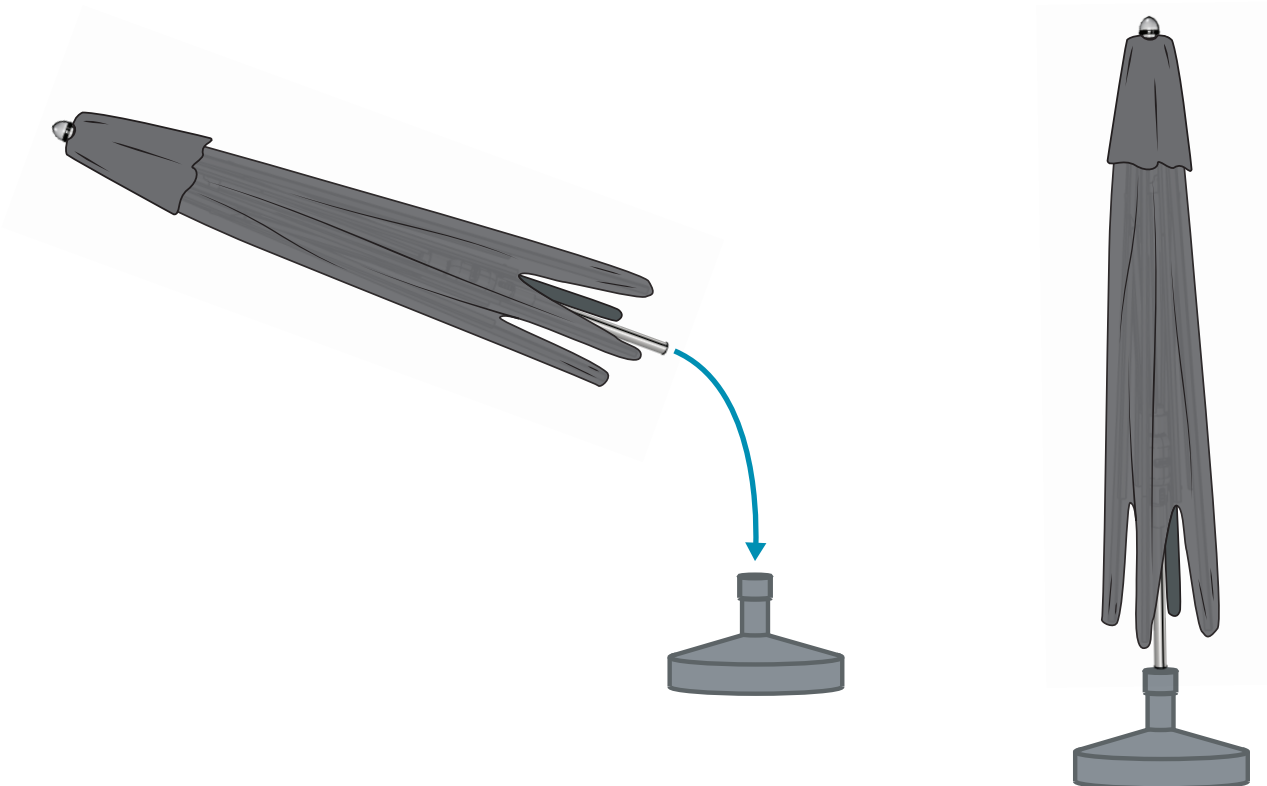


ASSEMBLY

STEP 3: Use the push-button fastener to attach the pole section to the bottom of the spreader assembly.

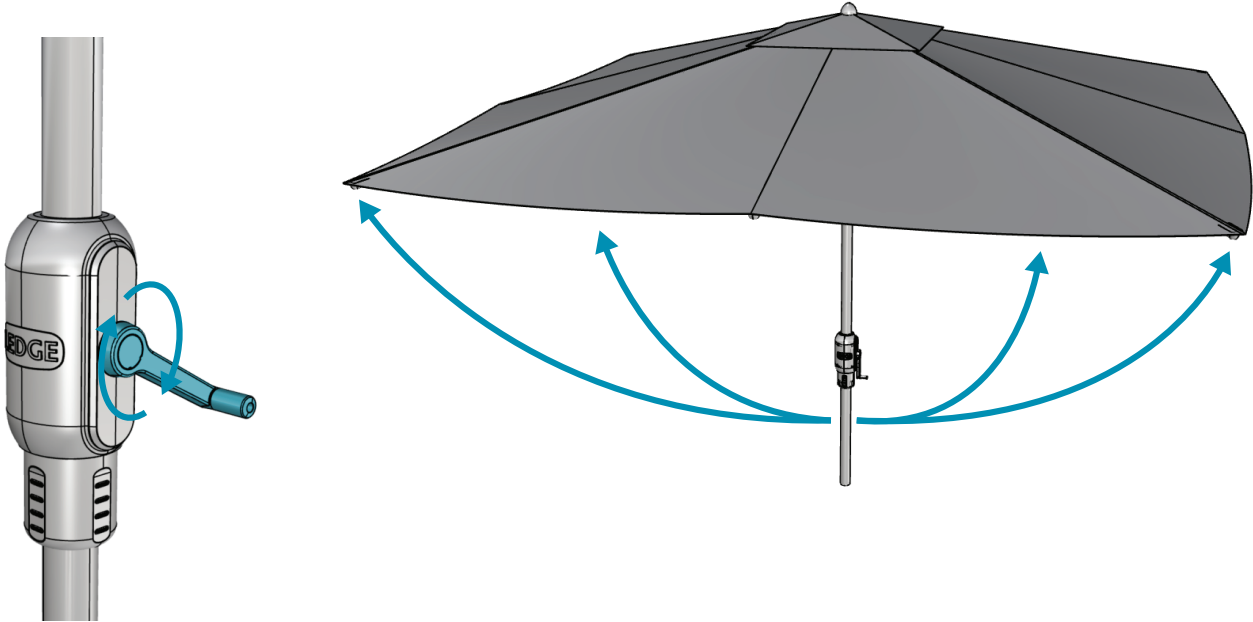


STEP 4: Insert umbrella pole into 1.5" base receiver and ensure pole is secure before opening.



ASSEMBLY

STEP 5: Turn crank clockwise to open, and counterclockwise to close.



STEP 6: Once open, continue twisting the crank clockwise to TILT the umbrella.

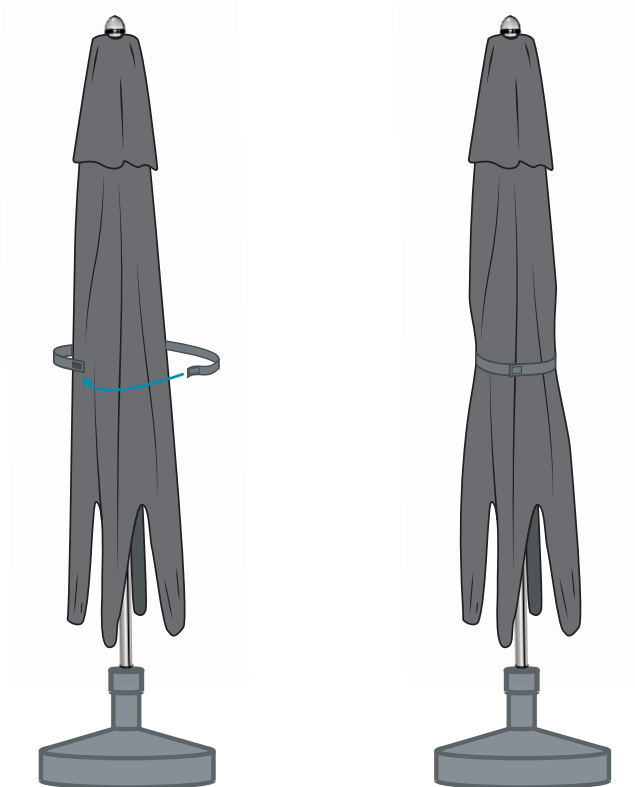


ASSEMBLY

STEP 7: Pull down on the crank housing collar and twist the central pole at the same time to ROTATE the umbrella canopy.



STEP 8: When umbrella is closed, use velcro strap to secure. Assembly complete.



WARNING

**Assembly Instructions and
Assembly Items Enclosed**

DO NOT THROW AWAY