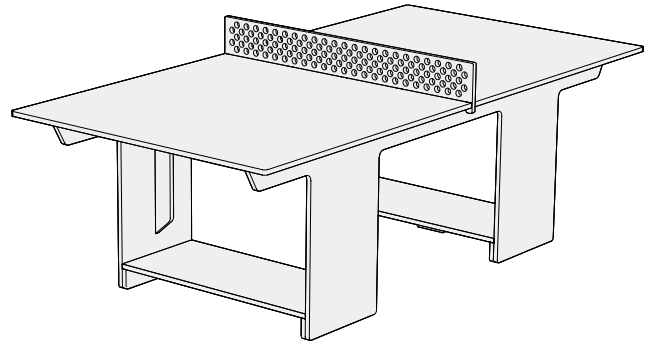




TABLE TENNIS TABLE



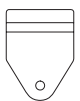
BEFORE YOU START

Unpack and lay all Table Tennis Table pieces flat on a padded surface to avoid scratching or damaging the components.

Look for an engraved letter near each slot on the enclosed riser pieces. Always match up coordinating slots (A+A, B+B, etc.) to ensure proper assembly.

Locate and count all hardware before discarding any packaging.

REQUIRED TOOLS



(20) KEYS



(22) SCREWS

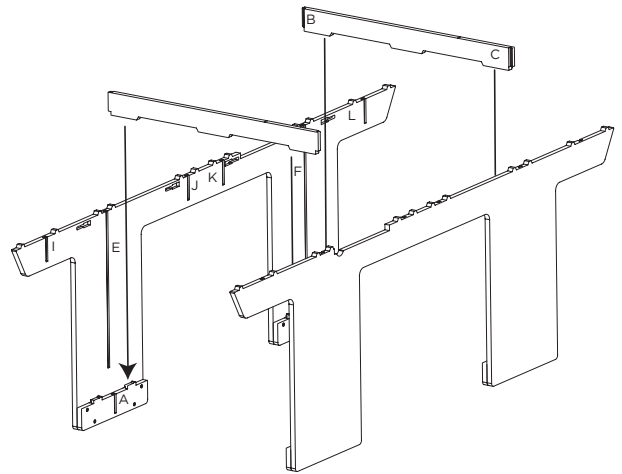


ALLEN WRENCH

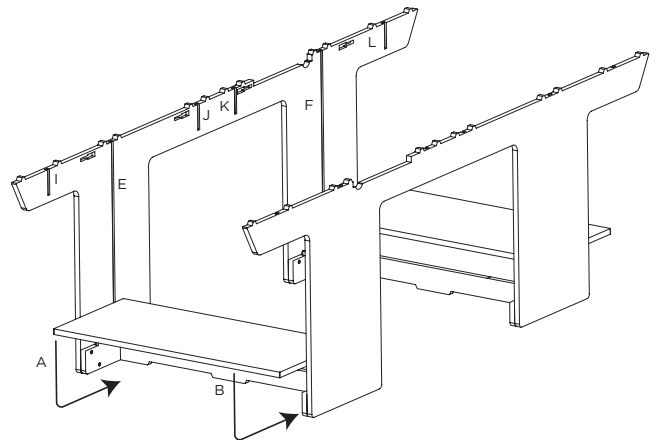
IMPORTANT NOTE

The Table Tennis Table is designed for on-deck use only.

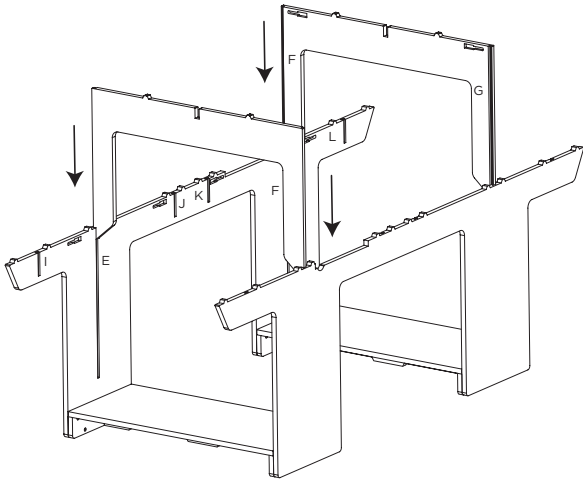
STEP 1: Align the corresponding slots of the bottom crossbars and the table legs. Make sure the letter system is facing the inside of the table. Slide the pieces together, using a mallet if needed. Continue until all four pieces are assembled together.



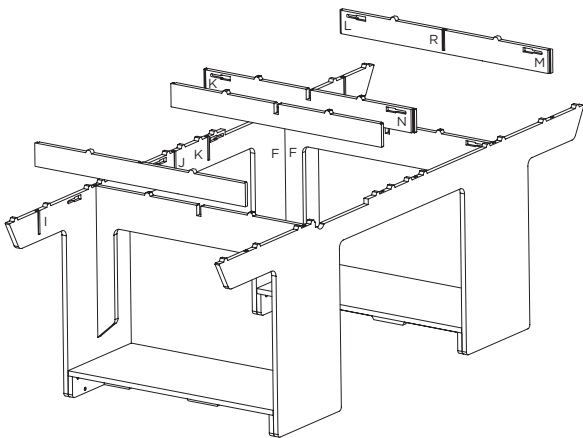
STEP 2: Align the corresponding letters of the shelves and drop them on the L-slot tabs. Slide inward until it locks into place, using a mallet if needed.



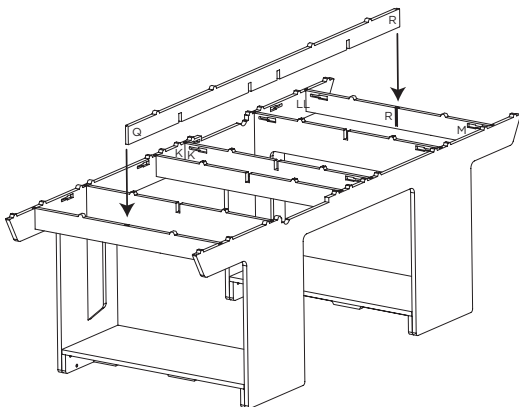
STEP 3: Align the corresponding letters of the two brackets and insert them into the table legs. Slide the pieces together, using a mallet if needed.



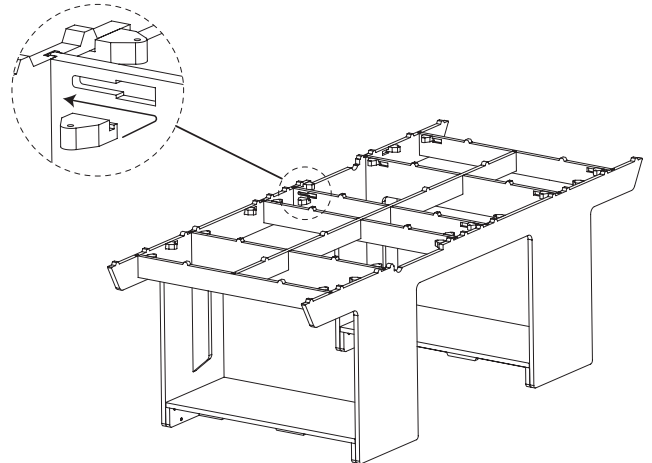
STEP 4: Align the corresponding letters of the top crossbars and insert them into the table legs. Slide the pieces together, using a mallet if needed. Continue until you have inserted all four crossbars (two middle crossbars, two end crossbars) into the table legs and the tops are flush.



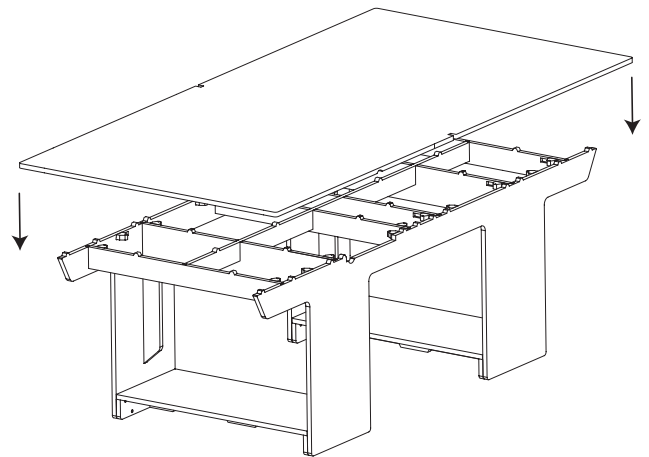
STEP 5: Align the corresponding letters of the long crossbar and insert the piece into the table frame. Slide the pieces together, using a mallet if needed. Continue until the top of the long crossbar is flush with the rest of the frame.



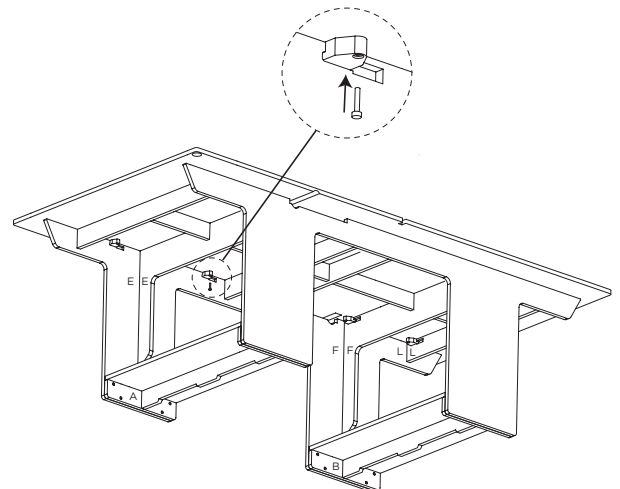
STEP 6: Insert the (20) keys into the key slots located on the brackets. Do not screw the keys into place until step 8.



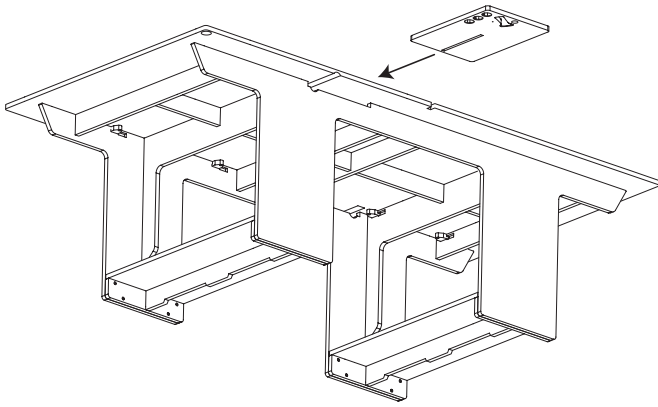
STEP 7: Place the table top on top of the frame. Adjust slightly until the grooves on the bottom of the table align and the table rests properly on the table frame.



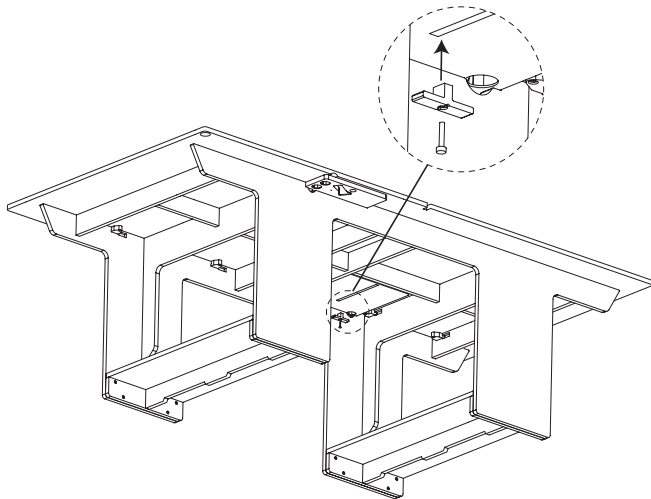
STEP 8: Locate the (20) keys you have already inserted into the table and screw them into place using the included Allen screws and Allen wrench.



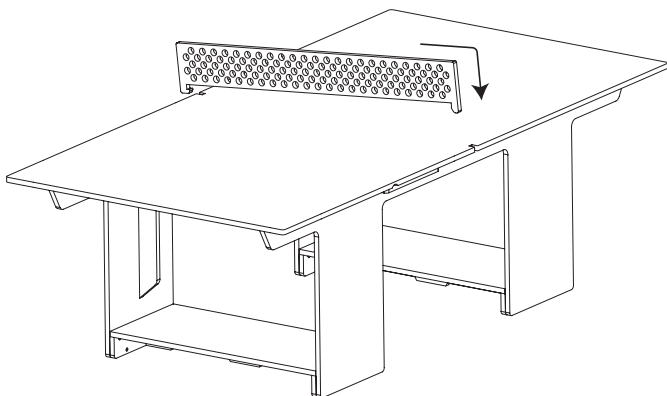
STEP 9: Slide the paddle/ball drawers into place.



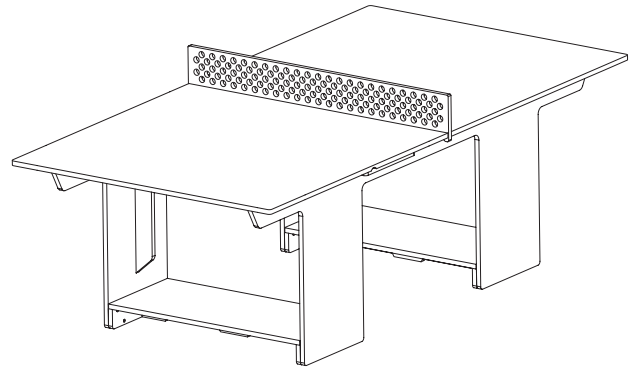
STEP 10: Secure the drawers with the T-shaped keys and screws.



STEP 11: Slide the side of the net with a hook tab into the notch of the table top. Push down on the other side to lock into place.



STEP 12: You're all done! Enjoy your new product and begin creating life's most meaningful moments. Tag us for a chance to be featured!



ROUTINE CLEANING

Clean with a soft cloth, microfiber towel, or spray down with a water hose. For a deeper clean, use mild soap and water with a soft bristle brush.

POWER WASHING

Use caution to avoid inscribing your ping pong table. Start with a very low PSI at least 3 feet away from furniture, and test on the under side before moving closer. Move closer or increase PSI gradually and with caution until dirt is removed. Check often to ensure no inscription is left on furniture.

SHARE YOUR MEANINGFUL MOMENTS WITH US

#LEDGELIFE