



ASSEMBLY GUIDE FOR PartyPad



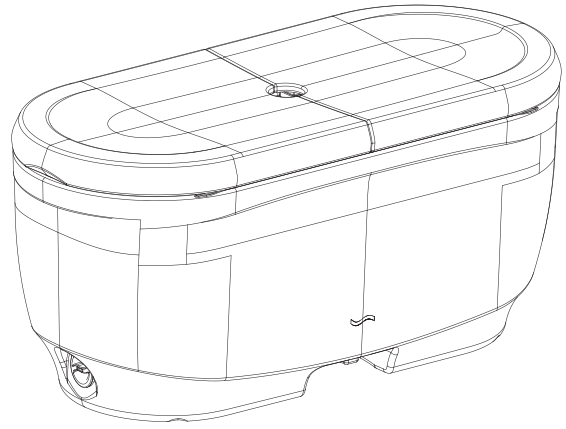
For a PDF version of these instructions, please scan the QR code.



Para instrucciones en español, por favor escanea este código QR.



Pour des instructions en français, veuillez scanner ce code QR.

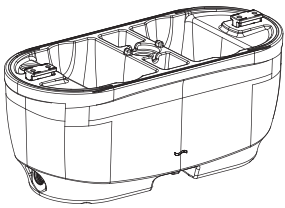


IMPORTANT NOTE

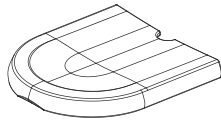
CAREFULLY READ ALL INSTRUCTIONS BEFORE STARTING. ENSURE THERE IS A WATER HOSE NEARBY FOR FILLING OF PRODUCT. MISSING CRITICAL STEPS CAN RESULT IN UNSUCCESSFUL ASSEMBLY OR DAMAGE TO THE PRODUCT.

2 PERSON ASSEMBLY RECOMMENDED.

CONTENTS



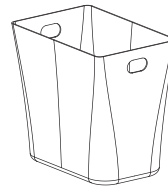
x1 Base



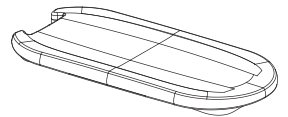
x2 Top*



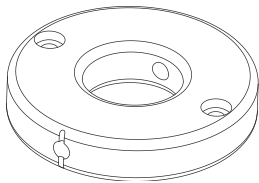
x1 Tongue



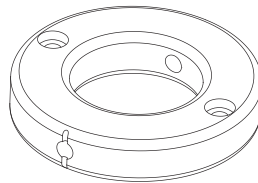
x2 Bins



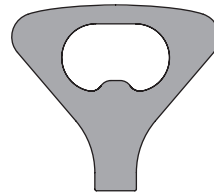
x1 Floating Table



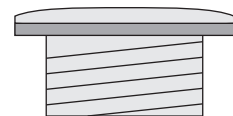
x1 1.5" Umbrella Collar



x1 2" Umbrella Collar



x1 Plug Key



x4 Plugs*



x3 Screw B**



x1 Allen Wrench



Umbrella Collar Pin not included. Contact us for umbrella securing options.

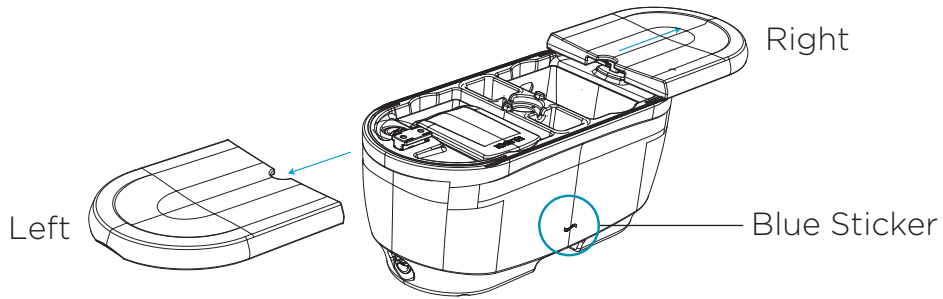
*Pre-installed **Extra Hardware Included

PREASSEMBLY

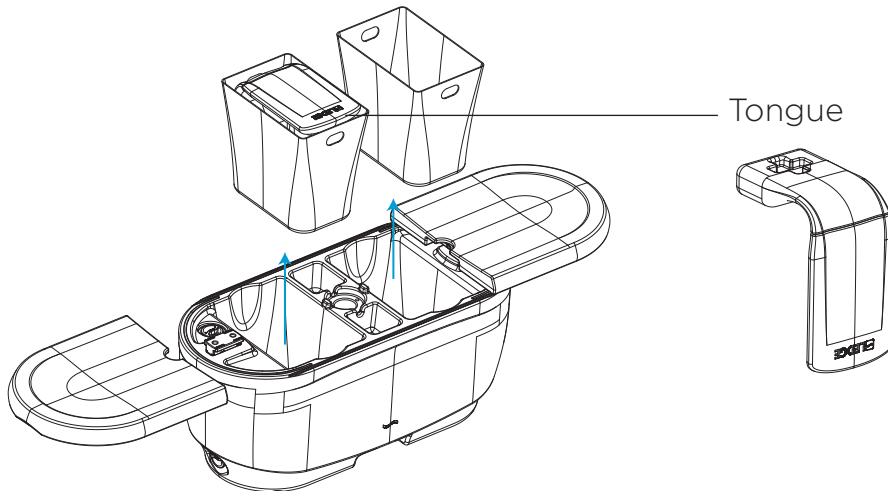
WARNING: DO NOT PLACE MORE THAN 25 POUNDS ON OPEN LIDS

STEP 1: Orient yourself to product using blue sticker as reference point. Slide open both lids.

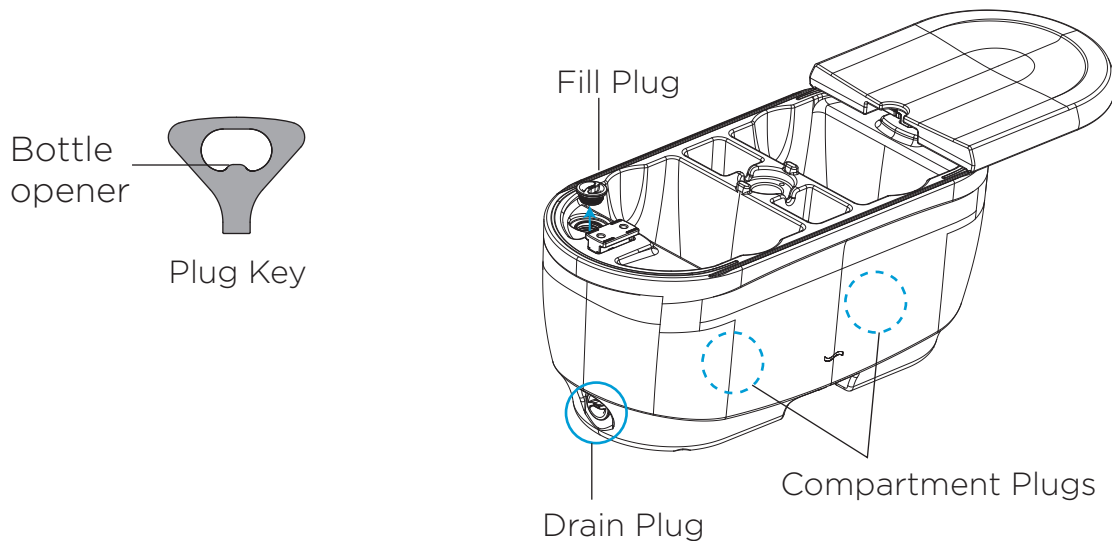
STEP 2: Remove left lid by sliding it off. Firmly tug to disengage track from nubs.



STEP 3: Remove bins and tongue stored within.



STEP 4: Remove fill plug, using plug key if necessary. Ensure compartment and drain plugs are tightly secured.

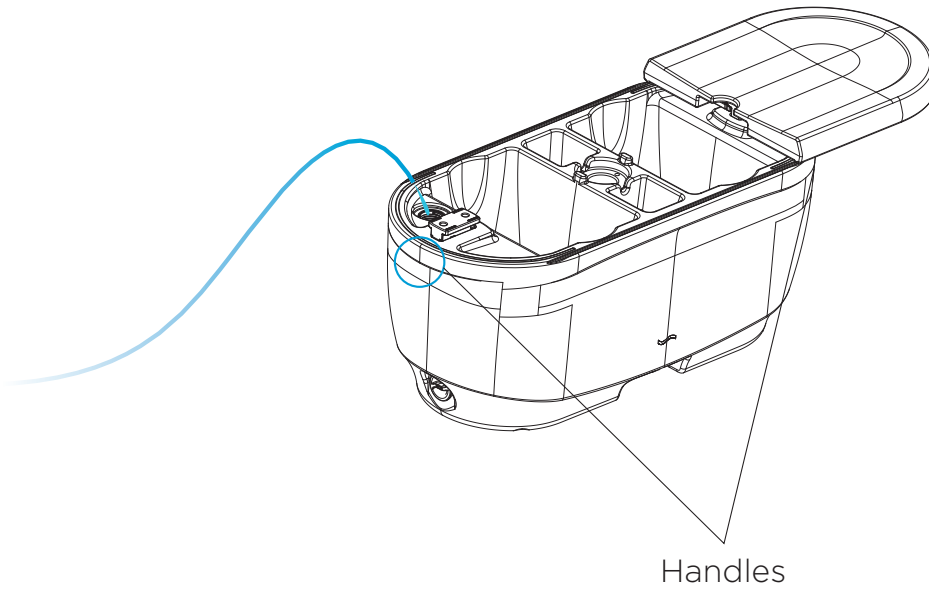


PREASSEMBLY

WARNING: DO NOT USE LIDS AS HANDLES

STEP 5: Use handles on base to position your PartyPad in its final location.

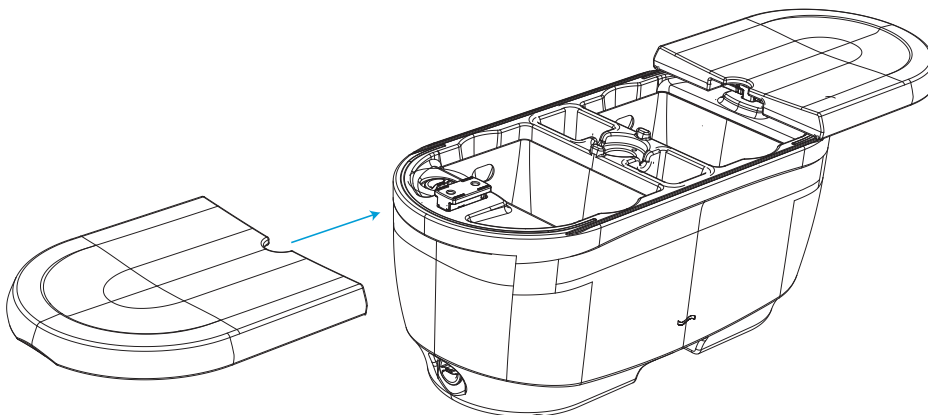
STEP 6: Using a water hose, fill the base until overflow. Add chlorine tab and reinstall the fill plug.



IF INSTALLING ON LAND

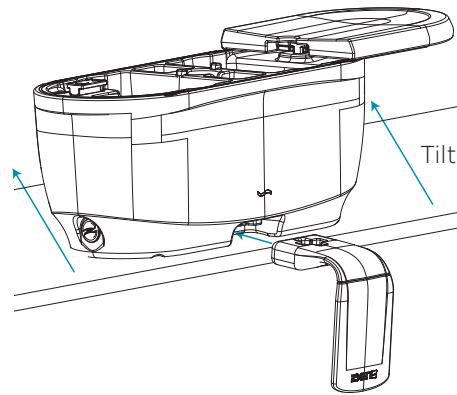
STEP 1: Slide on the left lid following the track line underneath the lid.

STEP 2: You will not need tongue for land use. Store as convenient.

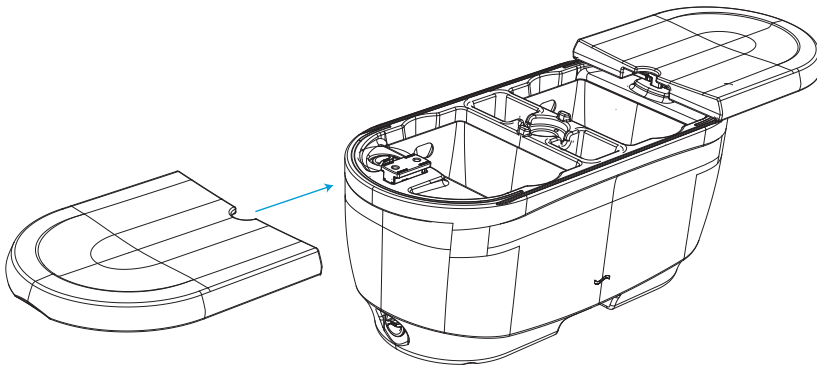


IF INSTALLING ON COPING, POOLSIDE

STEP 1: Determine final position. Carefully tilt unit and insert tongue at 90 degree angle pointing downward as shown. The raised plus sign on underside of base will match up with the plus sign cavity on the tongue.

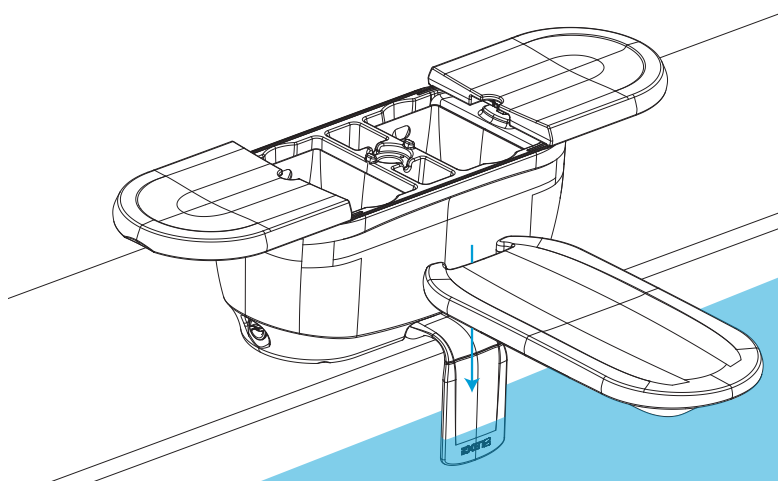


STEP 2: Slide on the left lid following the track line underneath the lid.



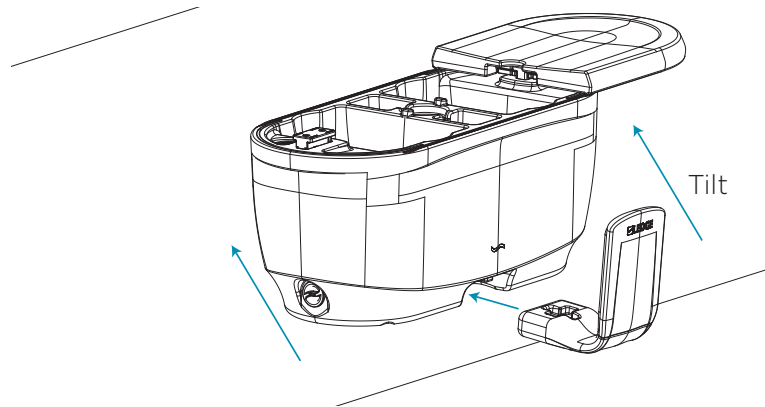
STEP 3: Slide floating table onto tongue from top until it hits water and floats.

CAUTION: DO NOT STAND, SIT OR JUMP ON OR OFF OF THIS COMPONENT. IT IS NOT A DIVING BOARD OR FLOATATION DEVICE.

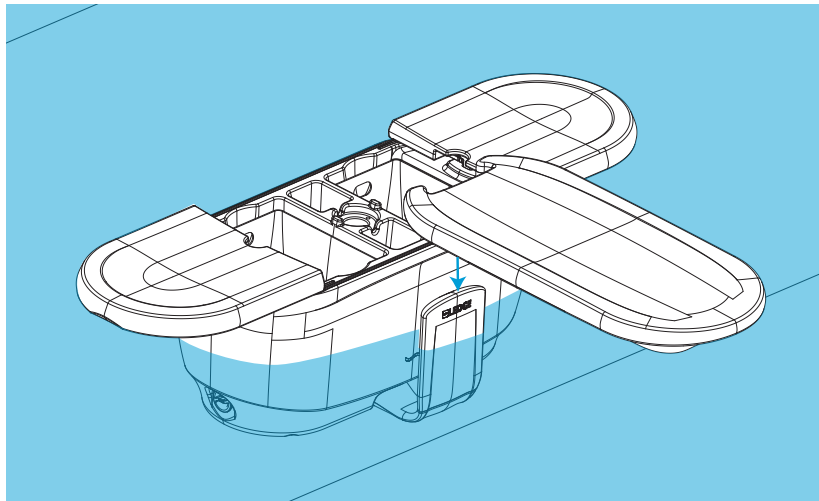


IF INSTALLING IN POOL ON EDGE OF LEDGE

STEP 1: Once filled and in position carefully tilt unit back and insert tongue at 90 degree angle pointing upward as shown. The raised plus sign on underside of base will match up with the plus sign cavity on the tongue.

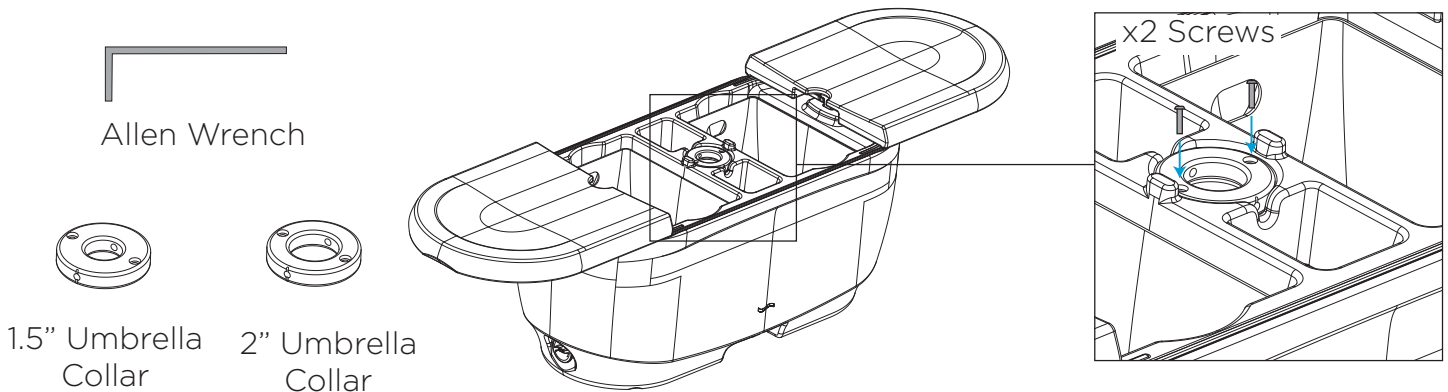


STEP 2: Slide floating table tongue from top until it hits water.



IF USING WITH UMBRELLA

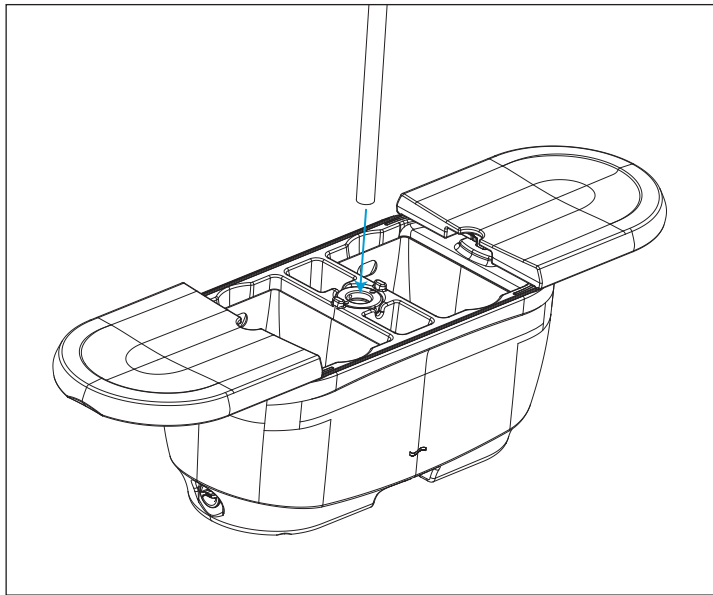
STEP 1: Install umbrella collar based on umbrella pole size (1.5" and 2"). Use allen wrench to tighten screws.



STEP 2: Complete step after determining final position/installing tongue and table.

If using as an umbrella base, perform the following steps to identify compatibility:

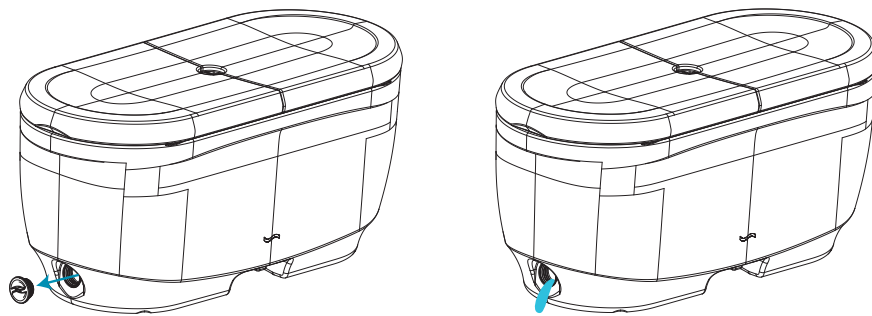
- Only use with umbrella canopies 7.5' or smaller.
- Only use with umbrella pole 98" tall and under.
- Umbrella collars provided can accommodate 1.5" and 2" pole diameters.



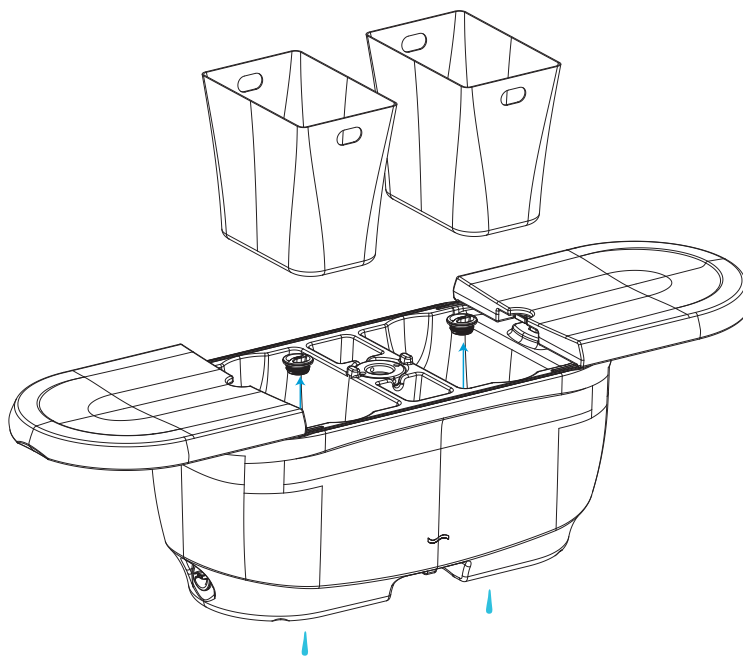
WARNING: AT ALL TIMES, ONLY USE AN UMBRELLA WITH THE PRODUCT AS INTENDED AND WITH COMPETENT ADULT SUPERVISION. ONLY USE THE SPECIFIED UMBRELLA TYPE, SIZE, SHAPE, POLE DIAMETER AND POLE HEIGHT AS SPECIFIED FOR THIS PRODUCT. BEFORE ASSEMBLY AND INSERTION OF A SPECIFIED UMBRELLA INTO THIS PRODUCT; ALWAYS ENSURE THAT WATER BALLAST COMPARTMENT IN THE PRODUCT IS PROPERLY FILLED AND CLOSED AS SPECIFIED. ONLY USE THE SPECIFIED UMBRELLA IN CALM WIND CONDITIONS AND CLOSE AND REMOVE THE UMBRELLA FROM THE PRODUCT AND SAFELY SECURED AND STORE IT WHEN WINDS EXCEED 5 MPH. OTHERWISE, IT MAY SEPARATE FROM THE PRODUCT AND CAUSE PERSONAL INJURY OR DAMAGE. NEVER CLIMB OR HANG ON THE PRODUCT UNIT OR ON AN INSERTED UMBRELLA AS THIS MAY CAUSE THE PRODUCT AND/OR THE UMBRELLA TO FALL INTO THE POOL OR ONTO AN INDIVIDUAL IN THE WATER, WHICH MAY CAUSE INJURY OR ENTRAPMENT. ALWAYS INSPECT THE PRODUCT AND UMBRELLA BEFORE USE AND IMMEDIATELY CEASE USE IF ANY PARTS ARE DAMAGED.

DRAINING

DRAINING BASE: Remove drain plug to drain. If using in water, let water drain out to level of pool then carefully lift base from ledge and let rest of water drain out.

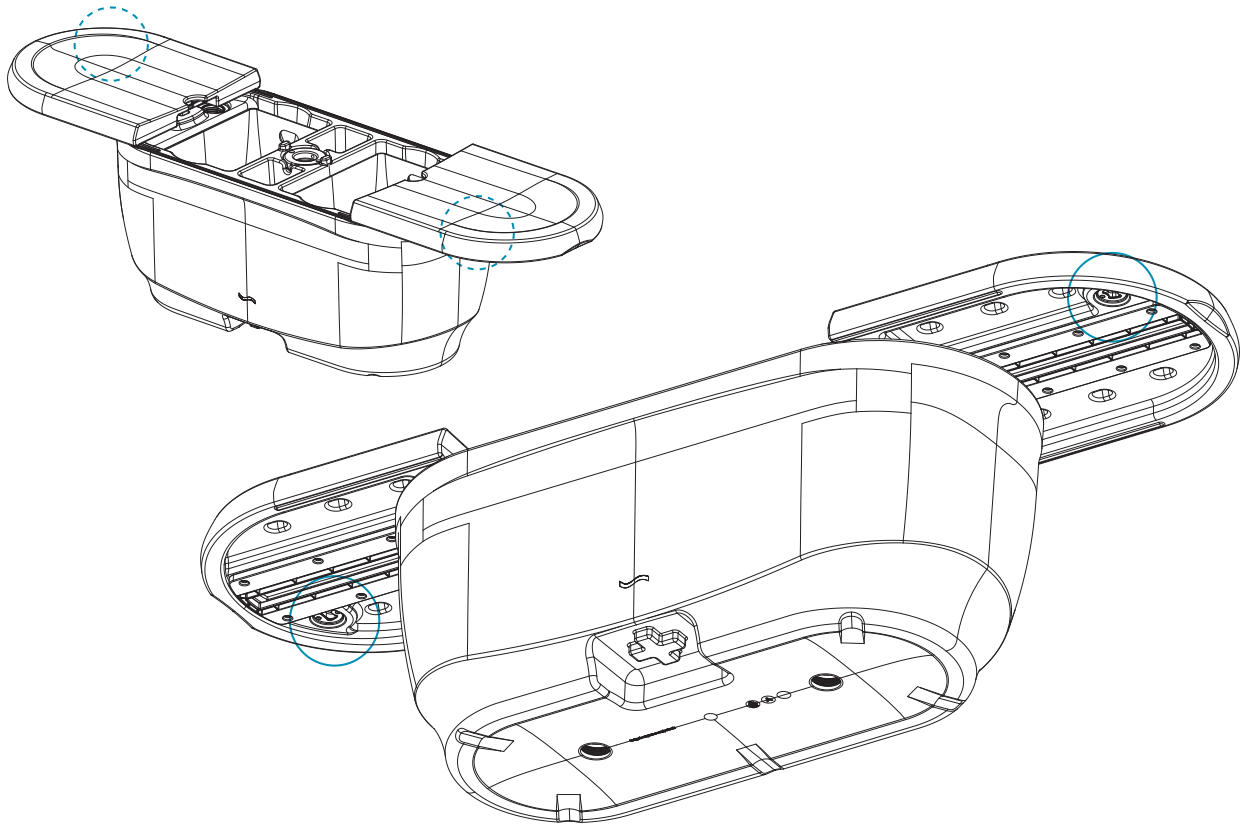


DRAINING COMPARTMENTS: Once the unit is out of water. Remove bins and compartment plugs, relieving compartments of any residual water.



PARTY TRICK

BOTTLE OPENER



ROUTINE CLEANING

For routine cleaning, use water or soft cloth or microfiber towel. For stubborn stains, use mild soap and water with a soft bristle brush.

STORAGE

To maximize product longevity, store tongue and bins inside the product and set floating tray on top.

PAIRING

Place PartyPad on the coping or pool ledge and set up a few in-pool barstools. Stay seated in the water while using the floating table.

Sit on the pool ledge or deck. Place the PartyPad between two chaises or chairs and use as a storage side table with an umbrella.

PartyPad is not a cooler and is not built to insulate. However, it can help provide you with access to cool drinks without too many trips indoors.

SHARE YOUR MEANINGFUL MOMENTS WITH US

#LEDGELIFE