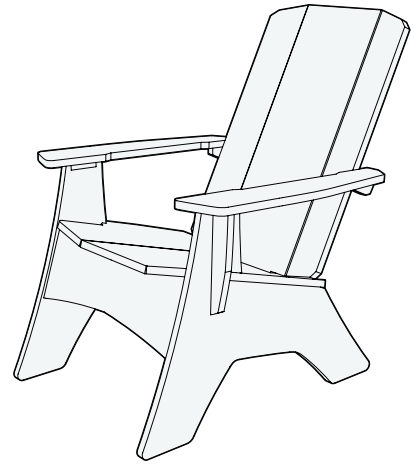




ASSEMBLY GUIDE FOR MAINSTAY ADIRONDACK



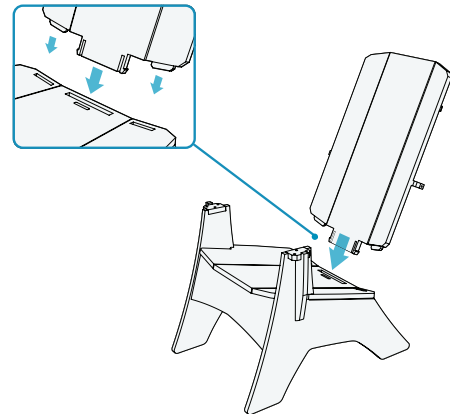
REQUIRED TOOLS



IMPORTANT NOTE

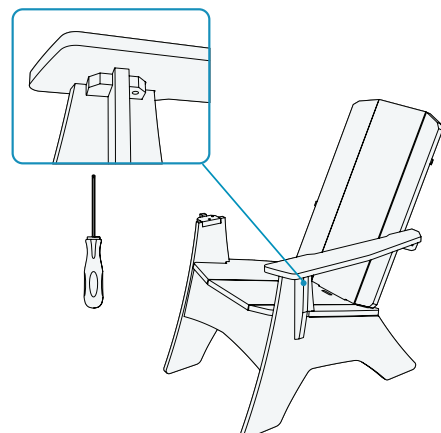
The Mainstay Adirondack is designed for on-deck use only.

STEP 1: Align the tab on the Adirondack back with the slot in the base. Insert with a forceful push down until secure.

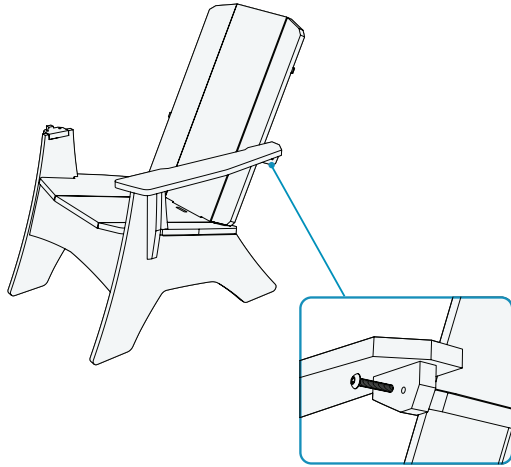


STEP 2: Starting with either side, position the armrest onto the base, aligning with the front screw hole. Using the hex screwdriver, assemble using (1) screw in the hole.

Assemble all screws loosely. Thoroughly tighten all screws in Step 5.

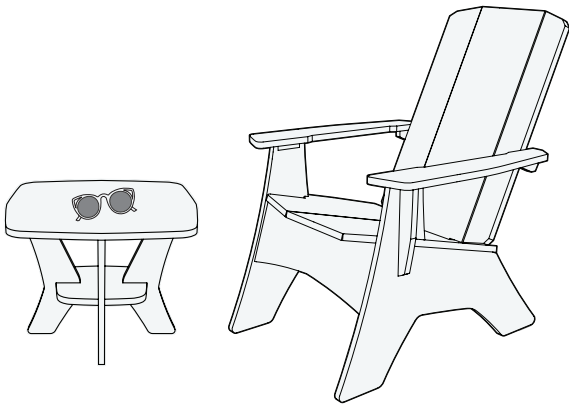


STEP 3: Align the rear screw holes. Assemble using (1) screw.



STEP 4: Repeat steps 2 and 3 for the second armrest.

STEP 5: Thoroughly tighten all 6 screws.



ROUTINE CLEANING

For routine cleaning, just use water and a soft cloth or microfiber towel, or spray down with a water hose. For a deeper clean, use mild soap and water and a soft bristle brush.

POWER WASHING

If power washing is desired, start with a low PSI, at least 3 ft away from furniture. Move closer or increase PSI gradually and with caution. While power washing, check often to ensure no inscription is left on the furniture.

For more information on cleaning & care, please visit ledgeloungers.com/faq

YOU INSPIRE US. MARCO! POLO! YOUR TURN...

#LEDGELIFE