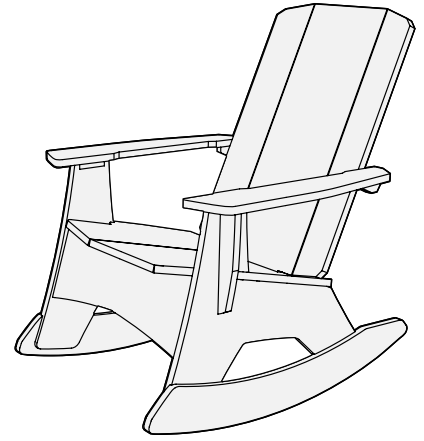




# ASSEMBLY GUIDE FOR MAINSTAY ADIRONDACK ROCKER



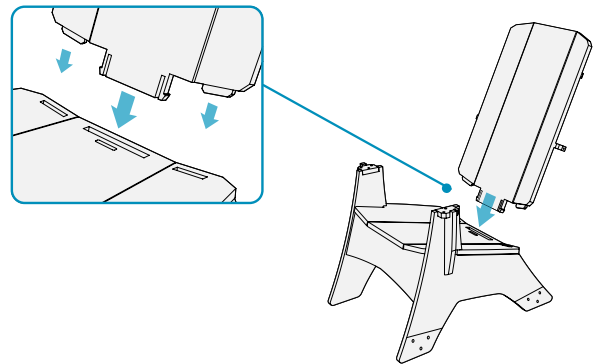
## REQUIRED TOOLS



## IMPORTANT NOTE

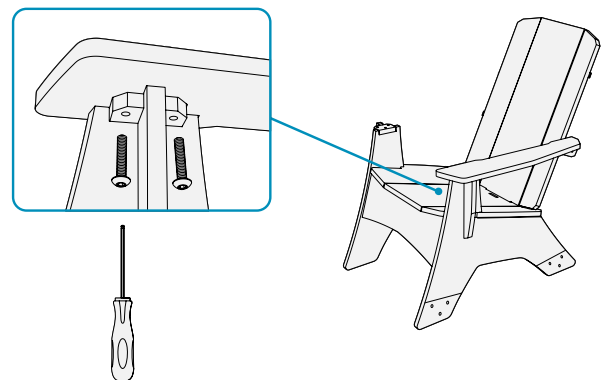
The Mainstay Adirondack Rocker is designed for on-deck use only.

**STEP 1:** Align the tab on the Adirondack Rocker back with the slot in the base. Insert with a forceful push down until secure.

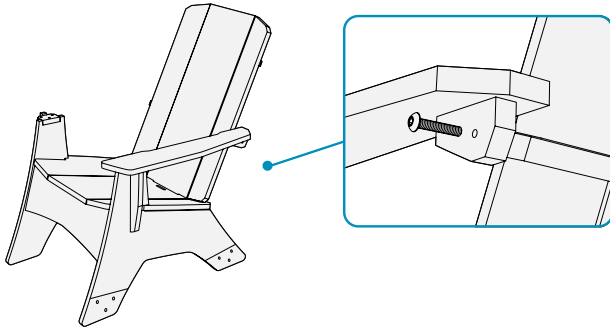


**STEP 2:** Starting with either side, position the armrest onto the base, aligning the front screw holes. Using the hex screwdriver, assemble using (1) screw in each hole.

Assemble all screws loosely. Thoroughly tighten all screws in Step 5.

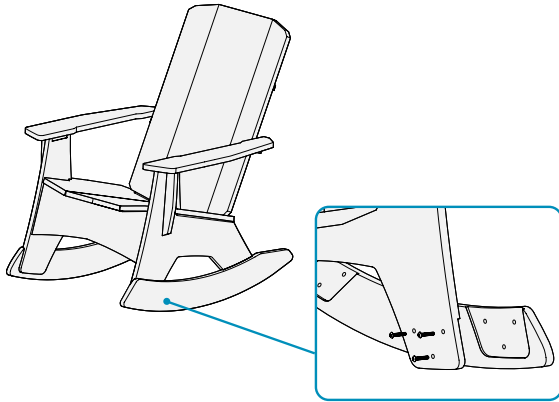


**STEP 3:** Align the rear screw holes.  
Assemble using (1) screw.



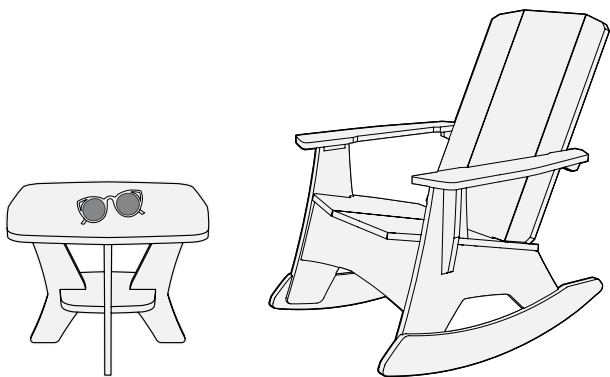
**STEP 4:** Repeat steps 2 and 3 for the second armrest.

**STEP 5:** Start with either rocker foot, position the foot onto the base by aligning all six screw holes. Using the hex screwdriver, assemble using (1) screw in each hole.



**STEP 6:** Repeat step 5 for the second rocker foot.

**STEP 7:** Thoroughly tighten all 18 screws.



## ROUTINE CLEANING

For routine cleaning, just use water and a soft cloth or microfiber towel, or spray down with a water hose. For a deeper clean, use mild soap and water and a soft bristle brush.

## POWER WASHING

If power washing is desired, start with a low PSI, at least 3 ft away from furniture. Move closer or increase PSI gradually and with caution. While power washing, check often to ensure no inscription is left on the furniture.

For more information on cleaning & care, please visit [ledgeloungers.com/faq](http://ledgeloungers.com/faq)

YOU INSPIRE US. MARCO! POLO! YOUR TURN...

# #LEDGELIFE