

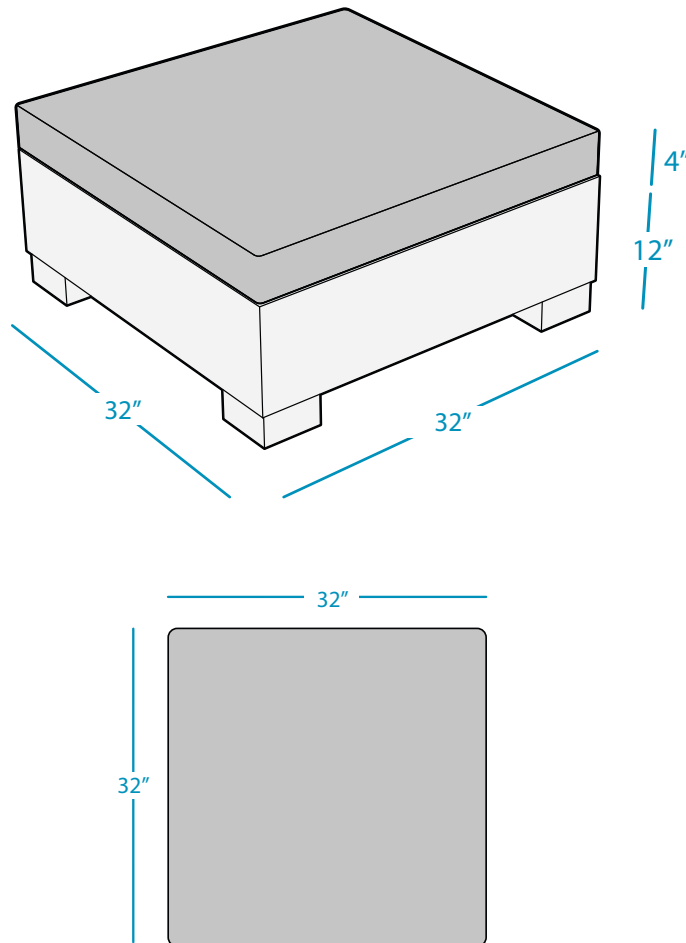
AFFINITY

SECTIONAL OTTOMAN

SPECIFICATIONS

DESIGNED FOR USE IN UP TO 10" OF WATER OR ON-DECK

WEIGHT EMPTY: 38 LBS | WEIGHT FULL: 336 LBS



FEATURES

- Perfect for residential or commercial settings
- Can be used in-pool in up to 10" of water
- Withstands outdoor environment without swelling, splintering, fading, or warping
- Base crafted of UV16 rated low density polyethylene
- High quality cushions made of outdoor fabrics and EZ Dri foam, allowing fast water drainage and air circulation
- Optional threaded plug system adds weight for in-water or anchored applications
- Endless reconfiguration possibilities using interlocking system

AVAILABLE RESIN COLORS



Available Fabric Colors in marine, furniture, or sling grade fabric. See website or catalog for details.