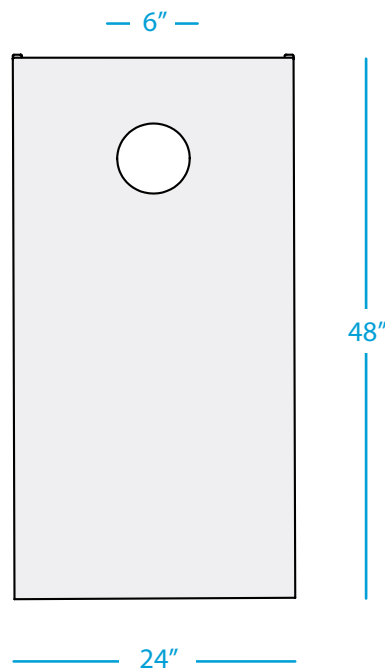
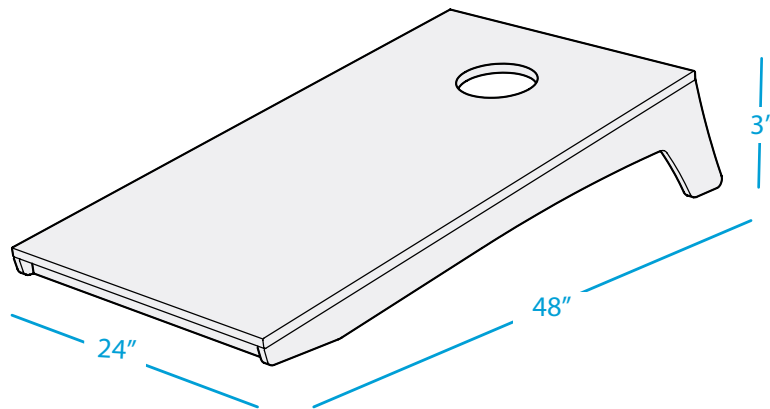


OUTDOOR GAMES

CORNHOLE

SPECIFICATIONS

WEIGHT: 48 LBS



FEATURES

- Perfect for residential or commercial settings
- Crafted of an extruded, high density polyethylene
- UV stable, moisture and mildew resistant
- Withstands outdoor environment without swelling, splintering, fading, or warping
- Includes 2 cornhole boards and 2 sets of 4 beanbags

AVAILABLE COLORS

