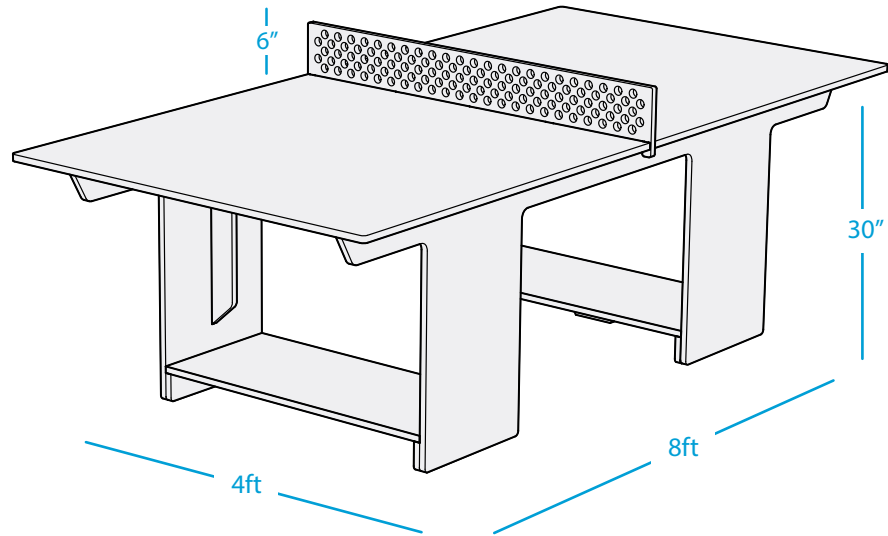


OUTDOOR GAMES

PING PONG

SPECIFICATIONS

WEIGHT: 258 LBS



FEATURES

- Perfect for residential or commercial settings
- Crafted of an extruded, high density polyethylene
- UV stable, moisture and mildew resistant
- Withstands outdoor environment without swelling, splintering, fading, or warping
- Includes ping pong table, net, 2 paddles, and 4 balls
- Assembly required

AVAILABLE COLORS

