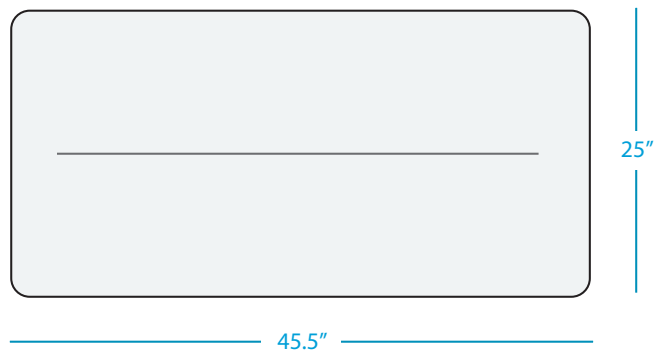
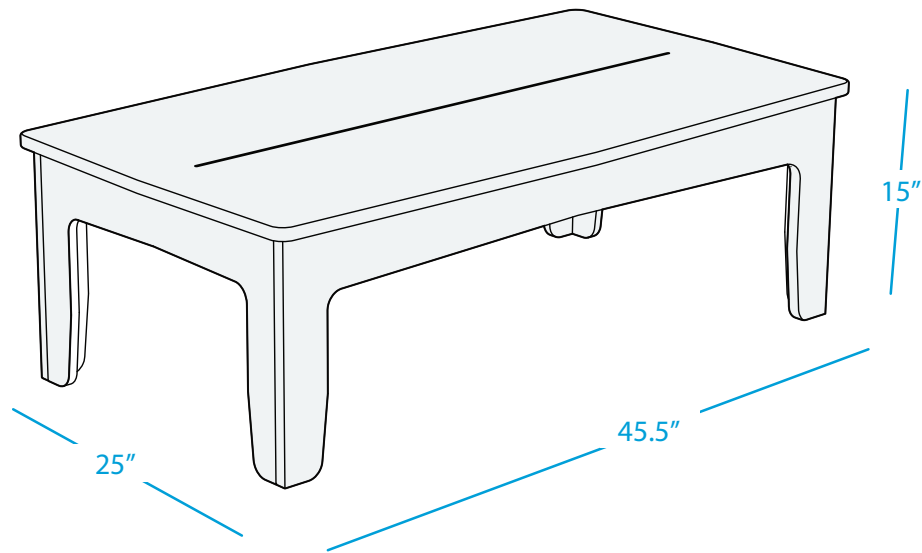


# MAINSTAY

## RECTANGULAR COFFEE TABLE

### SPECIFICATIONS

WEIGHT: 55 LBS



### FEATURES

- Perfect for residential or commercial settings
- Crafted of an extruded, high density polyethylene
- UV stable, moisture and mildew resistant
- Withstands outdoor environment without swelling, splintering, fading, or warping
- Stainless steel hardware
- Some assembly required

### AVAILABLE COLORS

