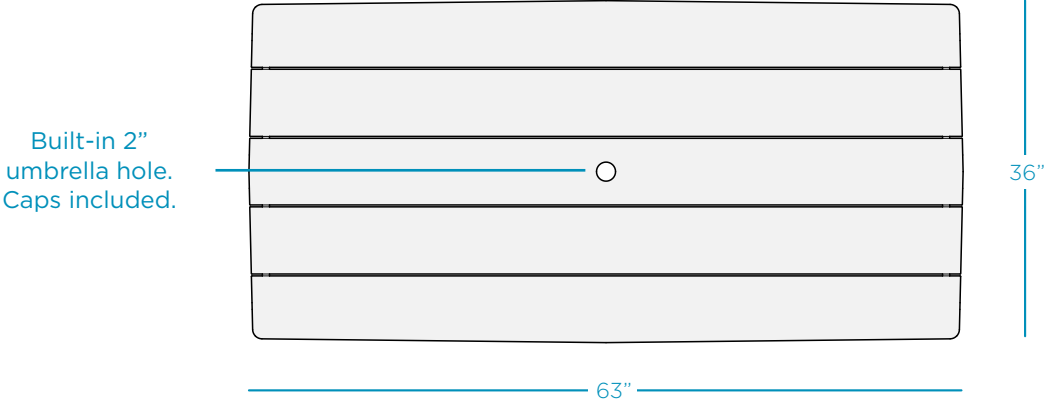
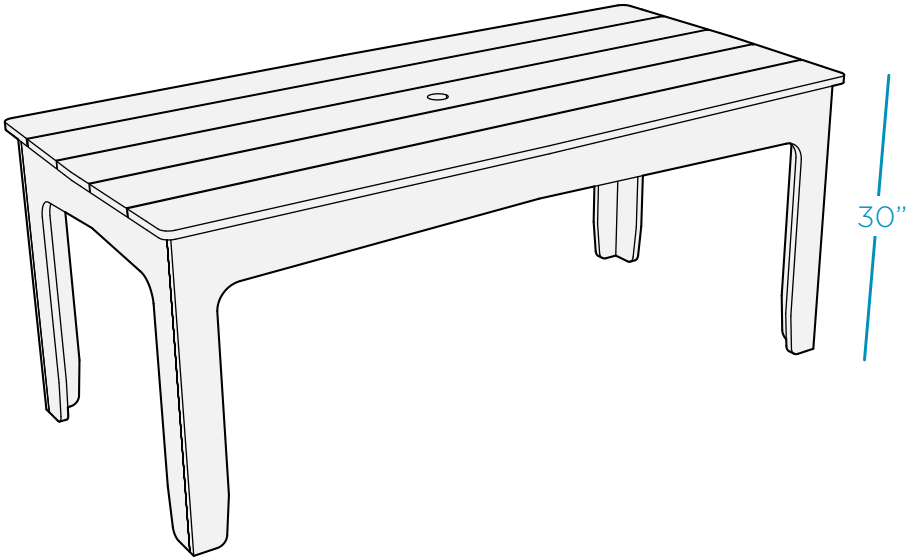


MAINSTAY

RECTANGULAR DINING TABLE, 63"

SPECIFICATIONS

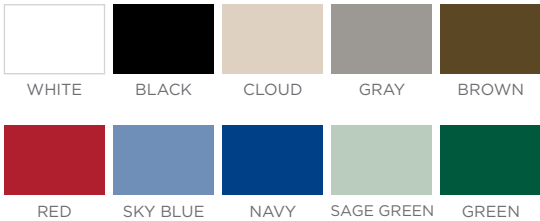
WEIGHT: 127 LBS



FEATURES

- Perfect for residential or commercial settings
- Crafted of an extruded, high density polyethylene
- UV stable, moisture and mildew resistant
- Withstands outdoor environment without swelling, splintering, fading, or warping
- Stainless steel hardware
- Seats up to 6
- Some assembly required

AVAILABLE COLORS

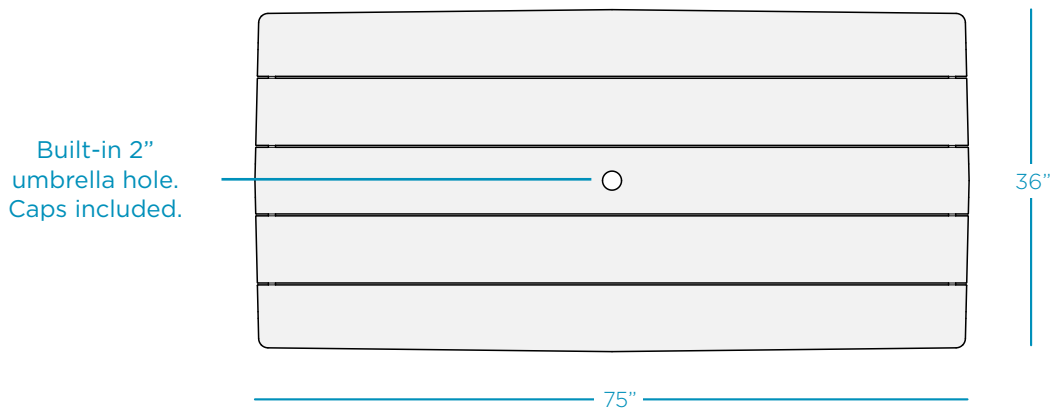
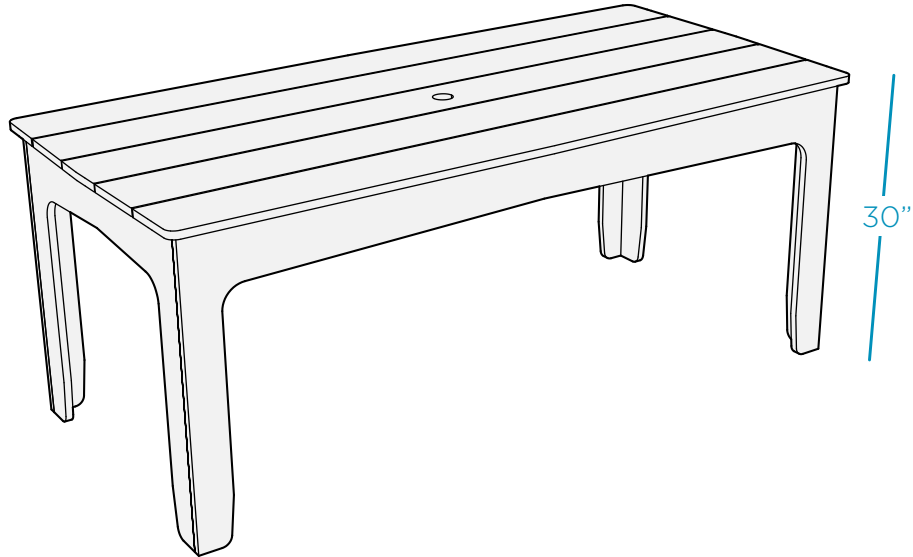


MAINSTAY

RECTANGULAR DINING TABLE, 75"

SPECIFICATIONS

WEIGHT: 151 LBS



FEATURES

- Perfect for residential or commercial settings
- Crafted of an extruded, high density polyethylene
- UV stable, moisture and mildew resistant
- Withstands outdoor environment without swelling, splintering, fading, or warping
- Stainless steel hardware
- Seats up to 8
- Some assembly required

AVAILABLE COLORS

