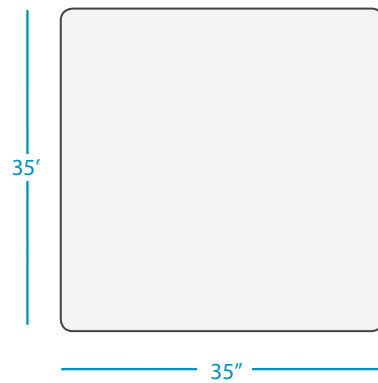
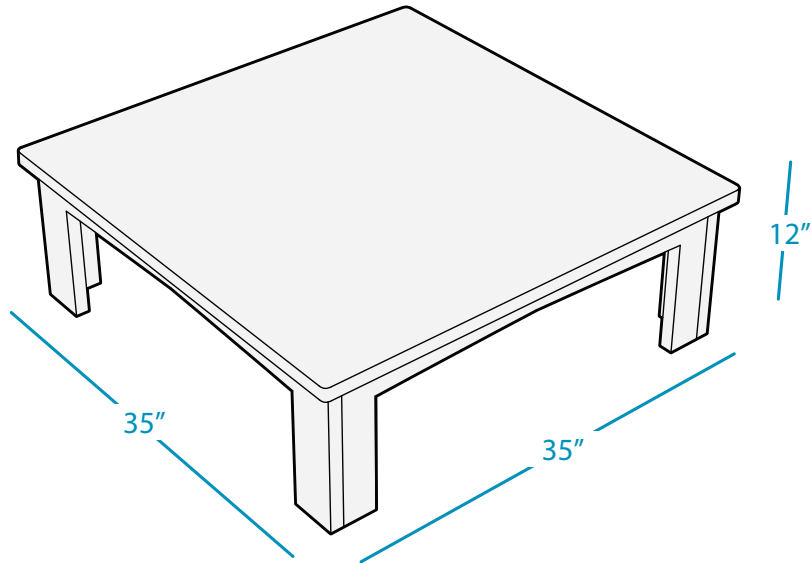


# MAINSTAY

## SECTIONAL ENDCAP, FULL

### SPECIFICATIONS

WEIGHT: 68 LBS



#### FEATURES

- Perfect for residential or commercial settings
- Crafted of an extruded, high density polyethylene
- UV stable, moisture and mildew resistant
- Withstands outdoor environment without swelling, splintering, fading, or warping

#### AVAILABLE RESIN COLORS

