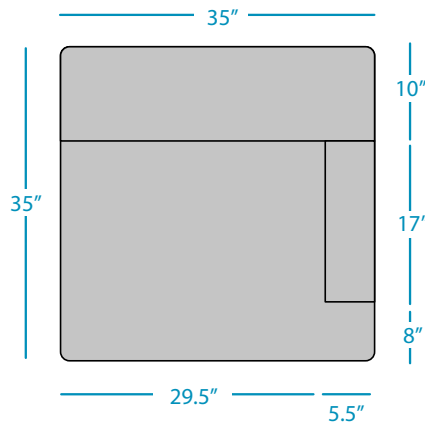
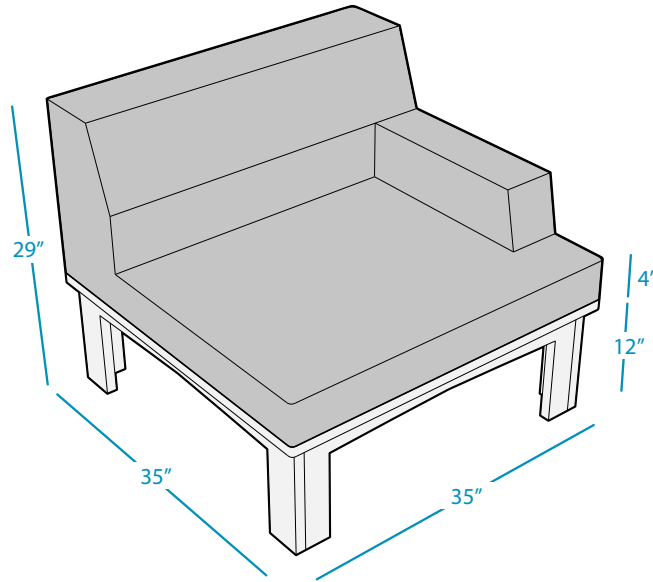


MAINSTAY

SECTIONAL LEFT ARM

SPECIFICATIONS

WEIGHT: 82 LBS



FEATURES

- Perfect for residential or commercial settings
- UV stable, moisture and mildew resistant
- Withstands outdoor environment without swelling, splintering, fading, or warping
- Base crafted of an extruded, high density polyethylene
- High quality cushions made of outdoor fabrics and EZ-Dri foam, allowing fast water drainage and air circulation
- Easy strap and buckle system for securing cushions
- Endless reconfiguration possibilities using interlocking system

AVAILABLE RESIN COLORS



AVAILABLE FABRICS

Available in all marine grade, sling grade, and furniture grade fabrics. Over 400 options available. See website or catalog for details.