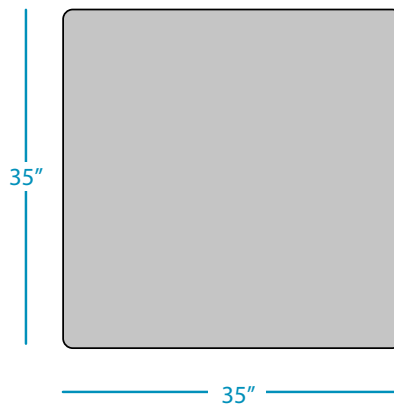
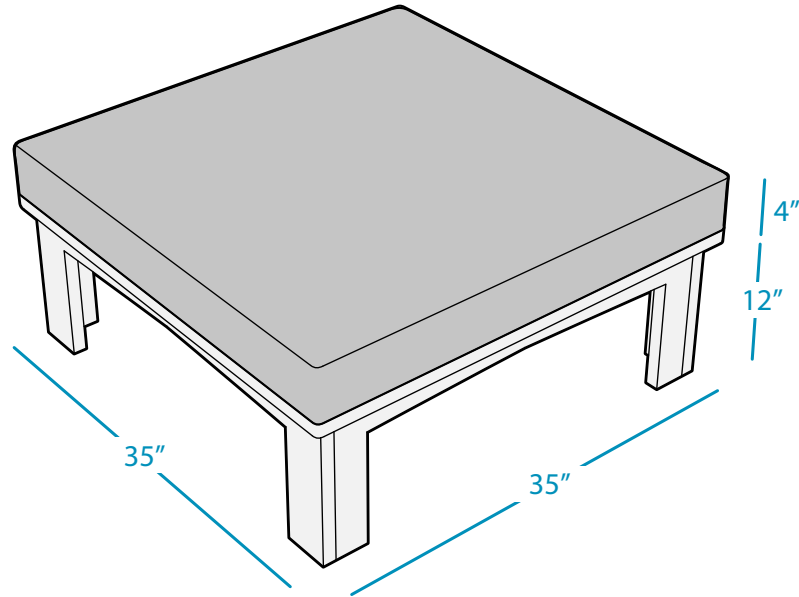


# MAINSTAY

## SECTIONAL OTTOMAN

### SPECIFICATIONS

WEIGHT: 75 LBS



### FEATURES

- Perfect for residential or commercial settings
- UV stable, moisture and mildew resistant
- Withstands outdoor environment without swelling, splintering, fading, or warping
- Base crafted of an extruded, high density polyethylene
- High quality cushions made of outdoor fabrics and EZ-Dri foam, allowing fast water drainage and air circulation
- Easy strap and buckle system for securing cushions
- Endless reconfiguration possibilities using interlocking system

### AVAILABLE RESIN COLORS



### AVAILABLE FABRICS

Available in all marine grade, sling grade, and furniture grade fabrics. Over 400 options available. See website or catalog for details.