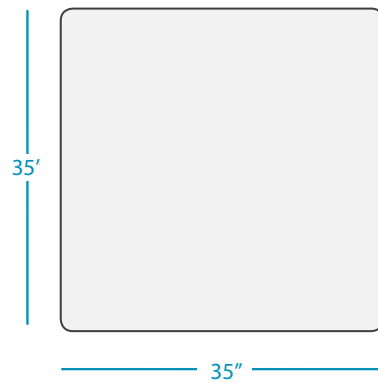
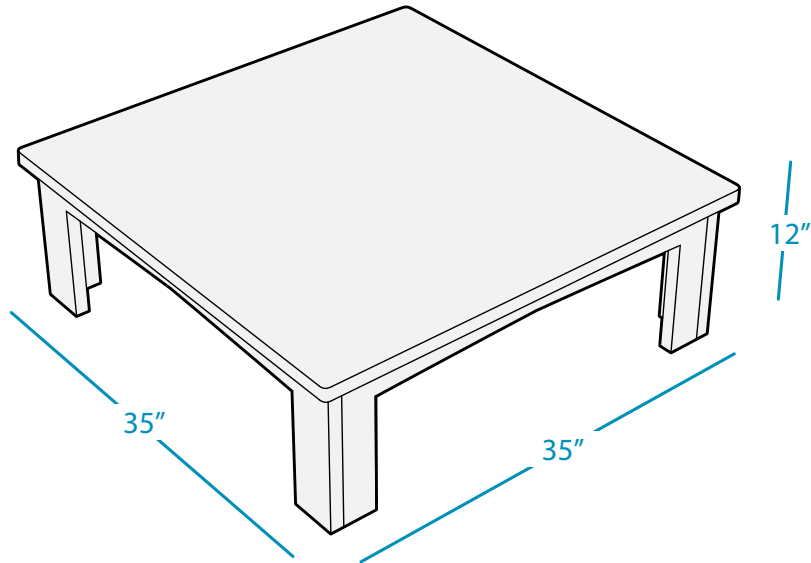


MAINSTAY

SQUARE COFFEE TABLE

SPECIFICATIONS

WEIGHT: 51 LBS



FEATURES

- Perfect for residential or commercial settings
- Crafted of an extruded, high density polyethylene
- UV stable, moisture and mildew resistant
- Withstands outdoor environment without swelling, splintering, fading, or warping
- Stainless steel hardware
- Some assembly required

AVAILABLE COLORS

