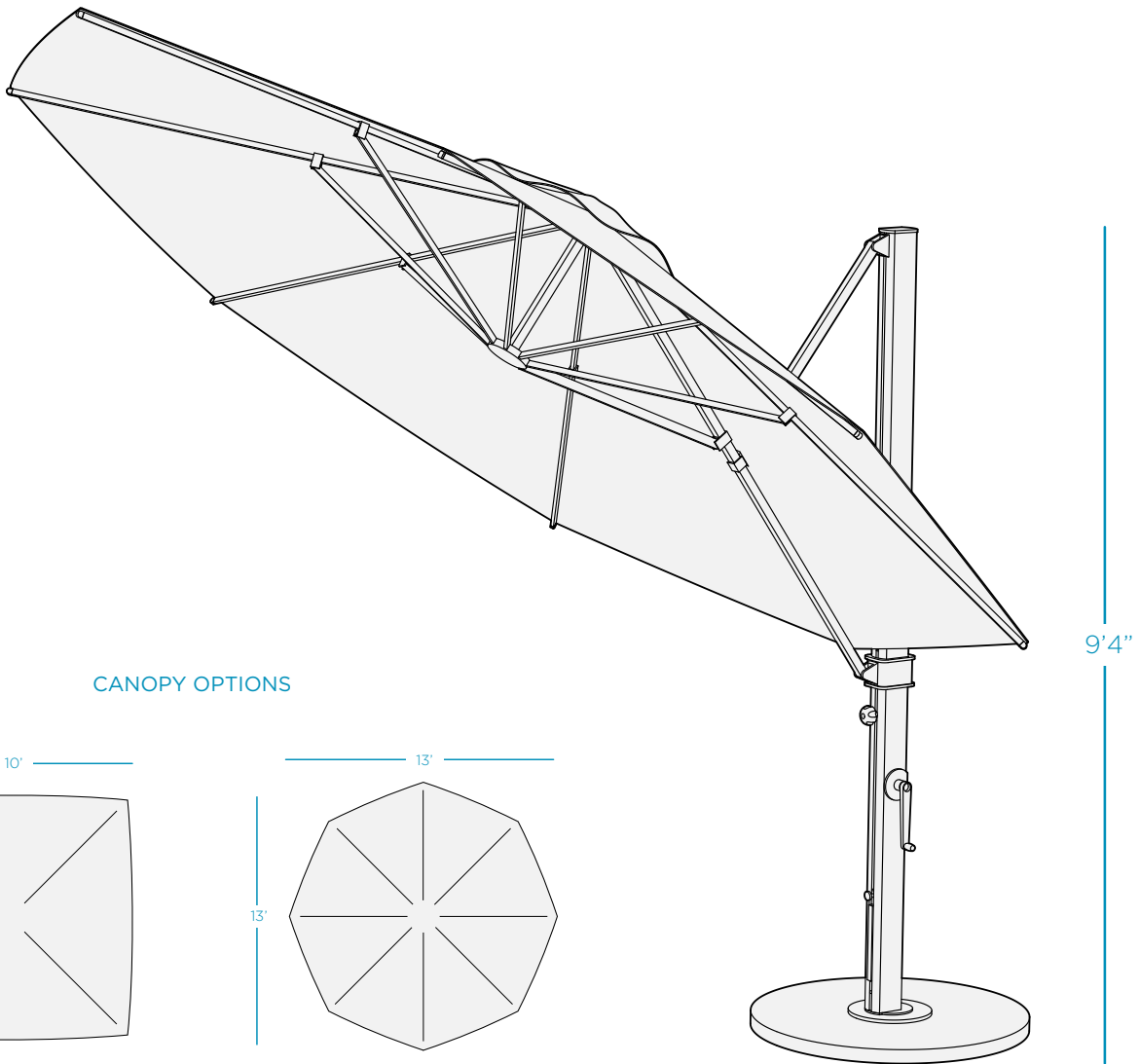


# UMBRELLA

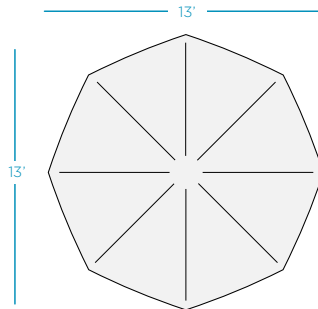
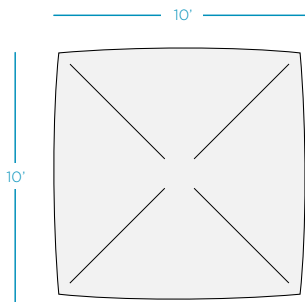
## PINNACLE

### SPECIFICATIONS

WEIGHT: 120 LBS - 140 LBS



#### CANOPY OPTIONS



#### FEATURES

- Perfect for residential or commercial settings
- Commercial crank lift system with removable handle
- Extruded aluminum pole with 360° rotation
- Stainless steel hardware
- Canopy made of marine or furniture grade fabric that is UV and stretch resistant
- High resistance to wind, rust and warping
- Wind stabilizer kit and canopy cover included
- Cantilevered design and infinity tilt canopy provide a large, adjustable shaded area
- Multiple base & mounting options available

#### AVAILABLE FABRICS

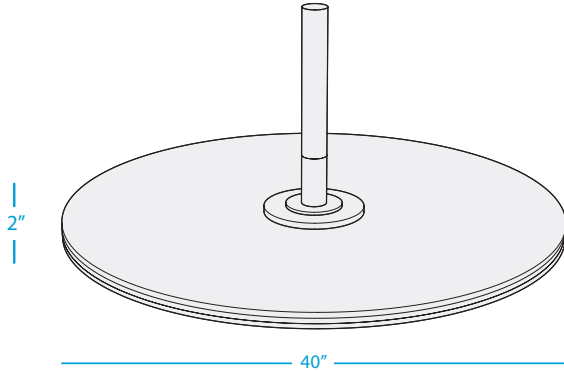
Available in all marine grade and furniture grade fabrics. Over 400 options available. See website or catalog for details.

# UMBRELLA

## PINNACLE BASES & MOUNTS

### SPECIFICATIONS

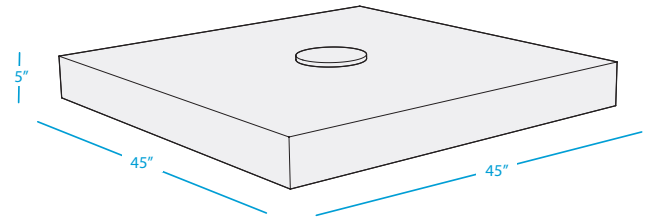
---



#### STEEL PLATE STACK BASE

WEIGHT 555 LBS

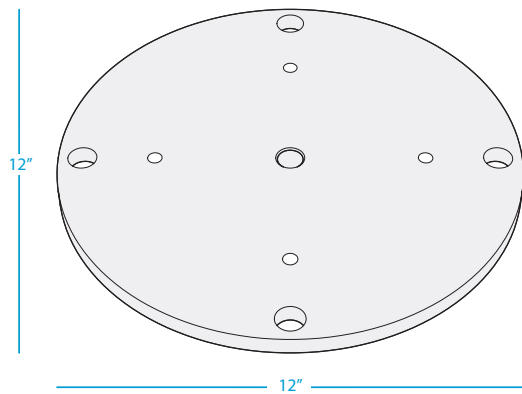
Thin, steel plates stacked and bolted together.



#### STEEL SHELL BASE

WEIGHT 550 LBS

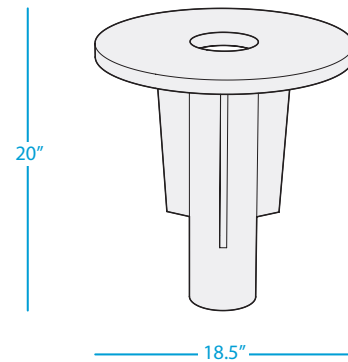
A hollow steel frame, requires concrete pavers (not included) to add required weight.



#### DIRECT SURFACE MOUNT

WEIGHT 12 LBS

Can be mounted to concrete, wood deck, or any stable, solid surface.



#### IN-GROUND MOUNT

WEIGHT 18 LBS

In-ground mounting must be installed during the construction process. For out of pool use only.