

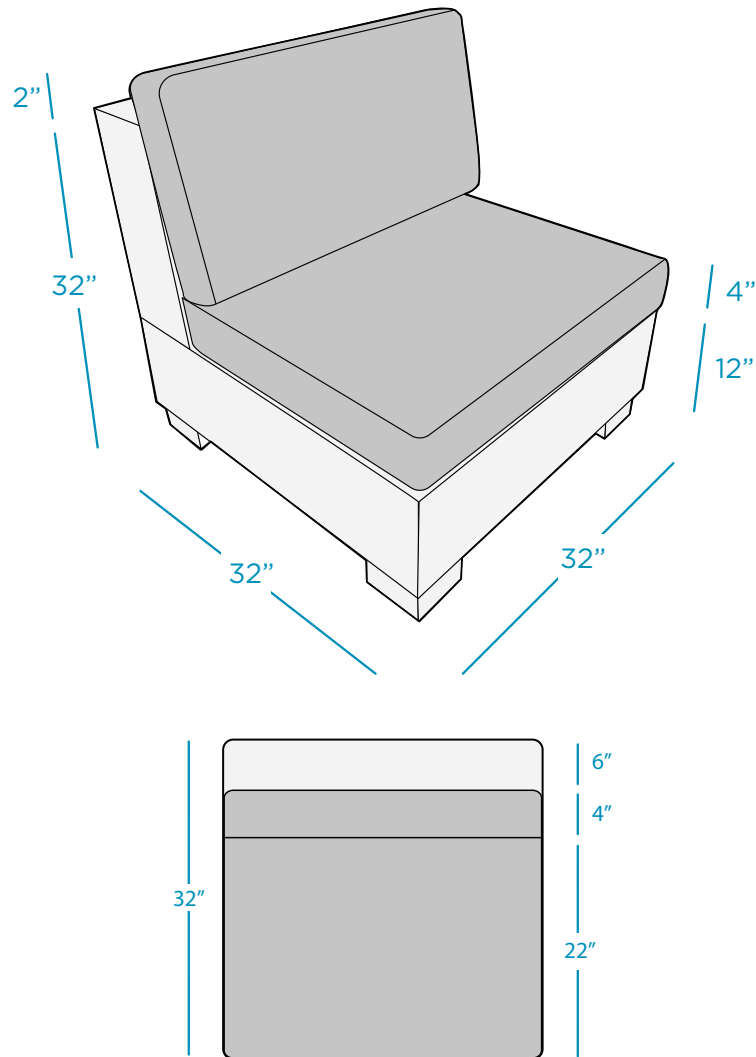
# SIGNATURE

## SECTIONAL MIDDLE

### SPECIFICATIONS

DESIGNED FOR USE IN UP TO 10" OF WATER

WEIGHT EMPTY: 57 LBS | WEIGHT FULL: 352 LBS



## FEATURES

- Designed for up to 10 inches of water
- Perfect for residential or commercial use
- Built to withstand the sun, weather, and chemicals of any pool or outdoor environment
- Two-piece base crafted of a high-quality, UV16 rated resin
- High quality cushions made of outdoor fabrics and EZ-Dri foam, allowing fast water drainage and air circulation
- Easy application via threaded plug system
- Endless reconfiguration possibilities using snap-in-place interlocking system

## AVAILABLE RESIN COLORS



Available Fabric Colors in marine or sling grade fabric. See website or catalog for details.

- COM available. Requires 5.5 yards per Sectional Middle.