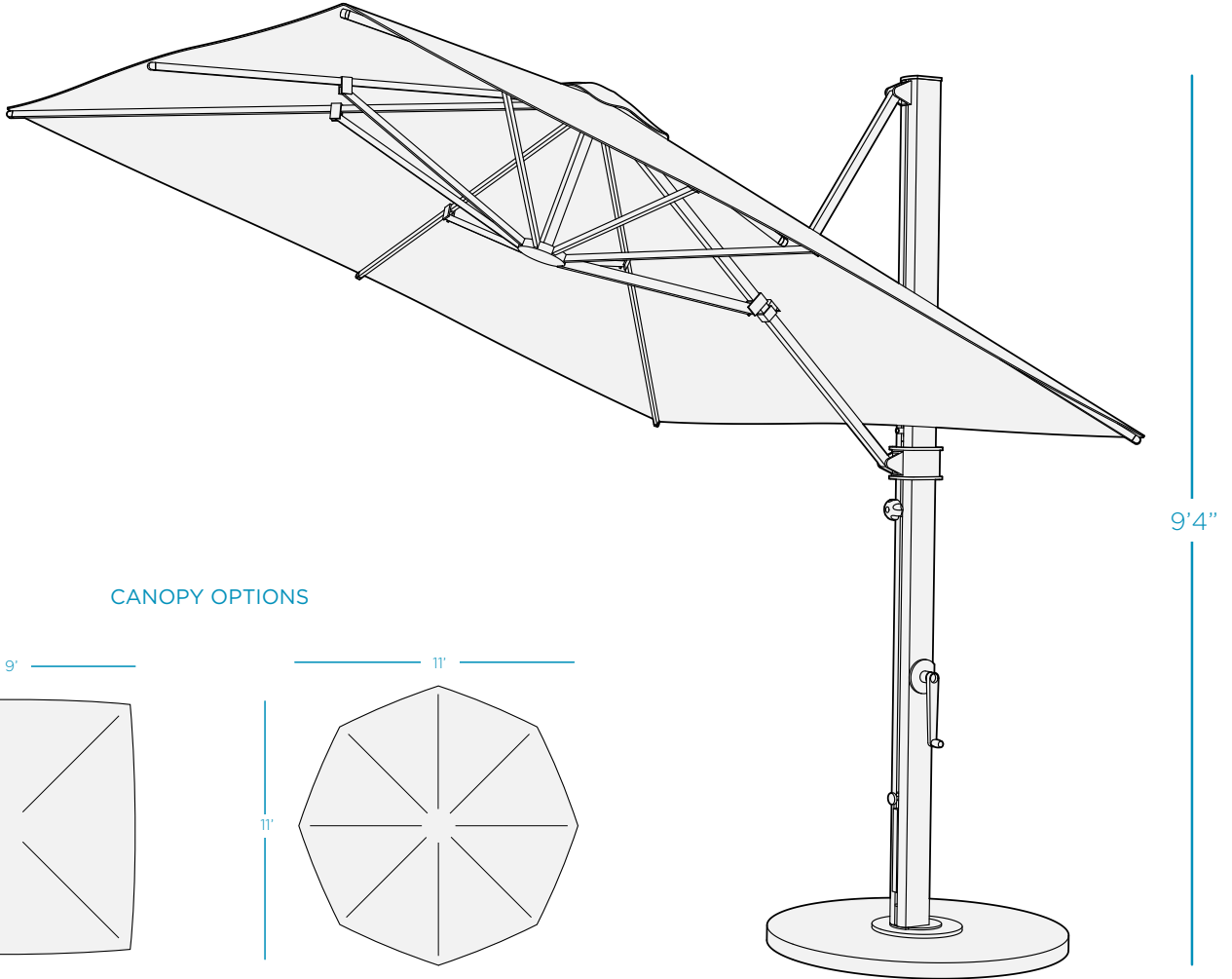


UMBRELLA

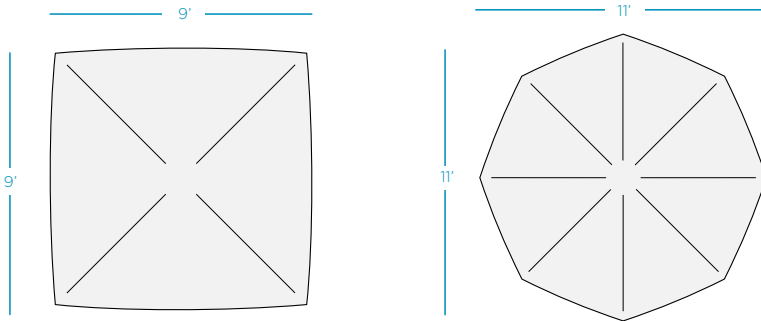
ULTRA

SPECIFICATIONS

WEIGHT: 90 LBS - 105 LBS



CANOPY OPTIONS



FEATURES

- Perfect for residential or commercial settings
- Commercial crank lift system with removable handle
- Extruded aluminum pole with 360° rotation
- Stainless steel hardware
- Canopy made of marine or furniture grade fabric that is UV and stretch resistant
- High resistance to wind, rust and warping
- Wind stabilizer kit and canopy cover included
- Cantilevered design and infinity tilt canopy provide a large, adjustable shaded area
- Multiple base & mounting options available

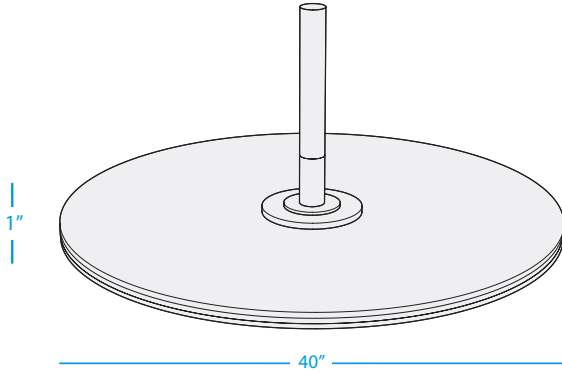
AVAILABLE FABRICS

Available in all marine grade and furniture grade fabrics. Over 400 options available. See website or catalog for details.

UMBRELLA

ULTRA BASES & MOUNTS

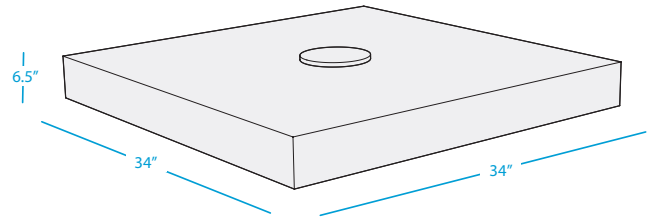
SPECIFICATIONS



STEEL PLATE STACK BASE

WEIGHT 335 LBS

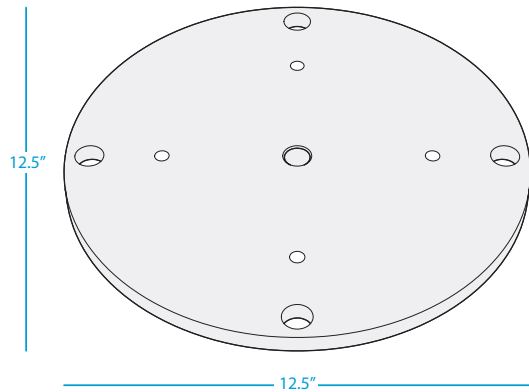
Thin, steel plates stacked and bolted together.



STEEL SHELL BASE

WEIGHT 480 LBS

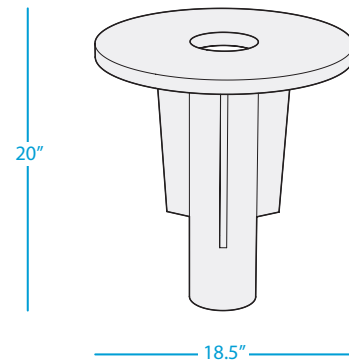
A hollow steel frame, requires concrete pavers (not included) to add required weight. Available with or without wheels.



DIRECT SURFACE MOUNT

WEIGHT 12 LBS

Can be mounted to concrete, wood deck, or any stable, solid surface.



IN-GROUND MOUNT

WEIGHT 18 LBS

In-ground mounting must be installed during the construction process. For out of pool use only.