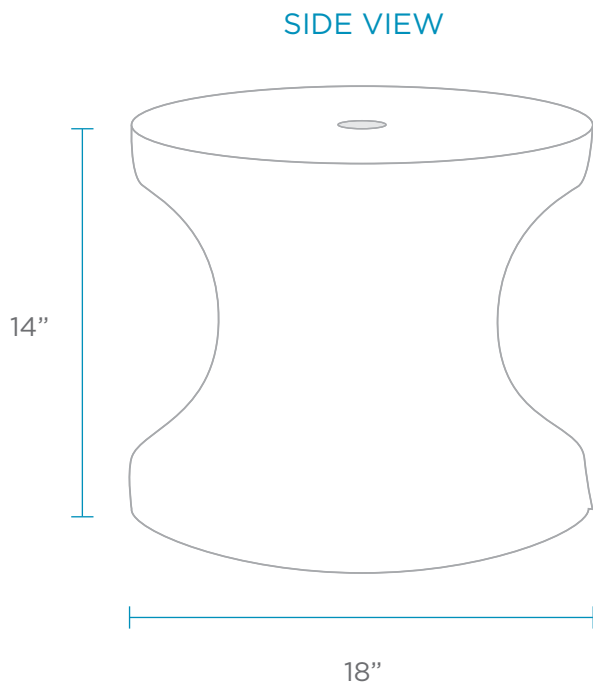
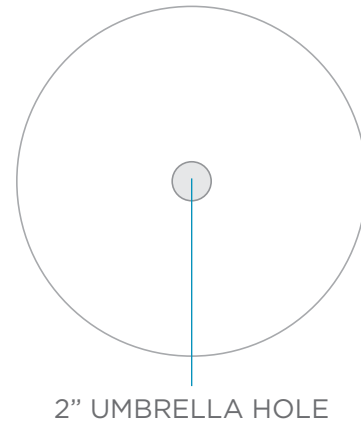


SIDE TABLE SPECIFICATIONS

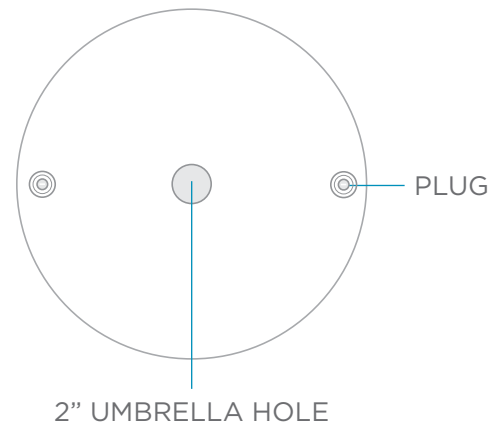
WEIGHT EMPTY: 12 LBS | WEIGHT FULL: 78 LBS
DESIGNED FOR UP TO 10" OF WATER OR ON DECK



TOP VIEW



BOTTOM VIEW



FEATURES

- Designed for up to 10" of water or on deck
- Perfect for residential or commercial use
- Built to withstand sun, weather, and chemicals of any aquatic environment
- Compatible with all pool types, including vinyl
- Crafted of an ultra-strong, UV16 rated resin, color stabilized for up to 16,000 hours of direct sun
- Easy application via threaded plug system
- Built in 2" Umbrella sleeve through center of table
- Available without umbrella hole upon request. Additional lead time may apply.

AVAILABLE RESIN COLORS

